



Chipsmall Limited consists of a professional team with an average of over 10 year of expertise in the distribution of electronic components. Based in Hongkong, we have already established firm and mutual-benefit business relationships with customers from,Europe,America and south Asia,supplying obsolete and hard-to-find components to meet their specific needs.

With the principle of “Quality Parts,Customers Priority,Honest Operation,and Considerate Service”,our business mainly focus on the distribution of electronic components. Line cards we deal with include Microchip,ALPS,ROHM,Xilinx,Pulse,ON,Everlight and Freescale. Main products comprise IC,Modules,Potentiometer,IC Socket,Relay,Connector.Our parts cover such applications as commercial,industrial, and automotives areas.

We are looking forward to setting up business relationship with you and hope to provide you with the best service and solution. Let us make a better world for our industry!



## Contact us

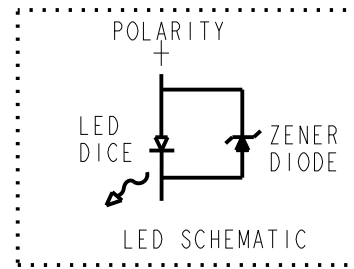
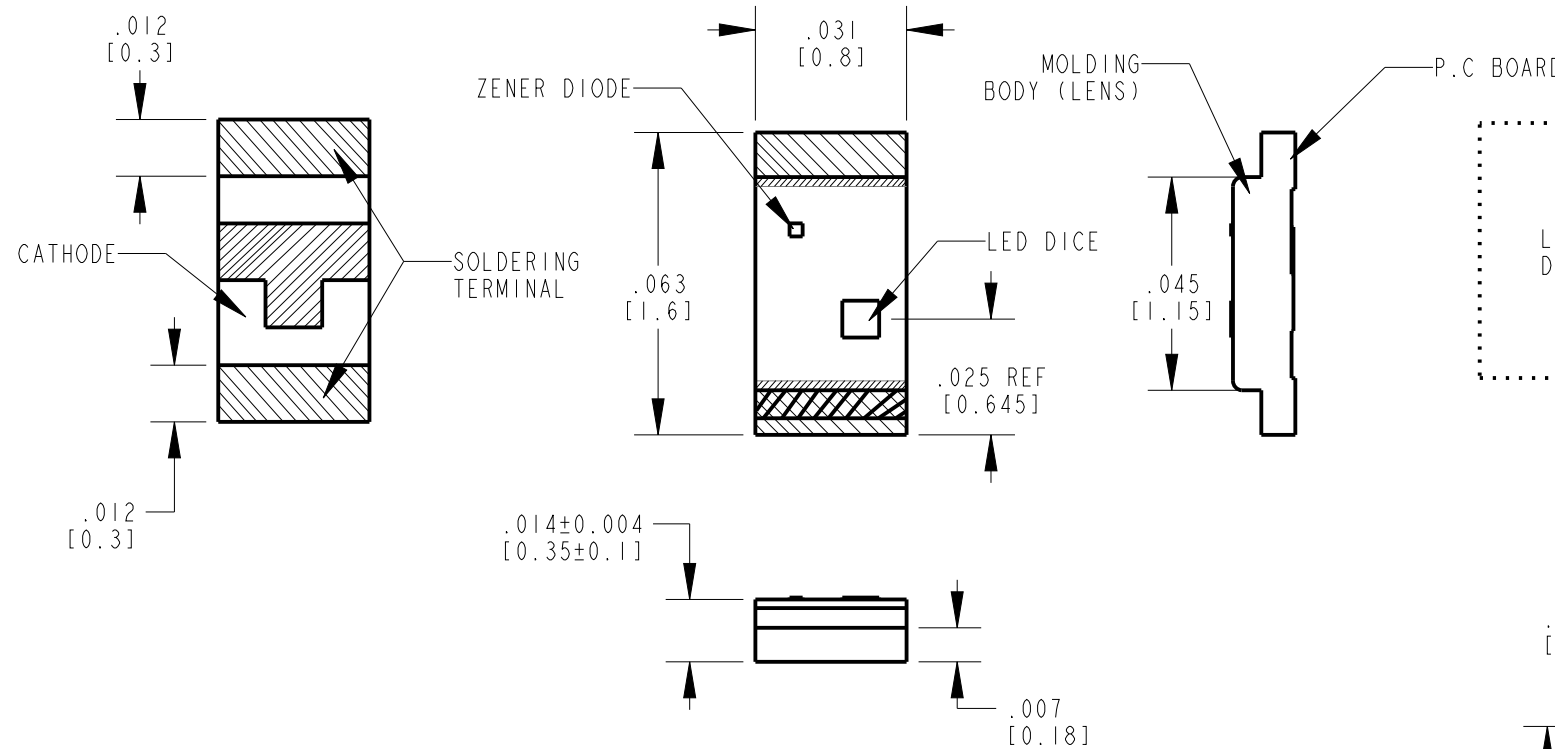
Tel: +86-755-8981 8866 Fax: +86-755-8427 6832

Email & Skype: info@chipsmall.com Web: www.chipsmall.com

Address: A1208, Overseas Decoration Building, #122 Zhenhua RD., Futian, Shenzhen, China



REV	ECN NO	REVISIONS	DRN	CKD	APP	DATE
A	—	NEW RELEASE	BP	—	NO	2-8-18



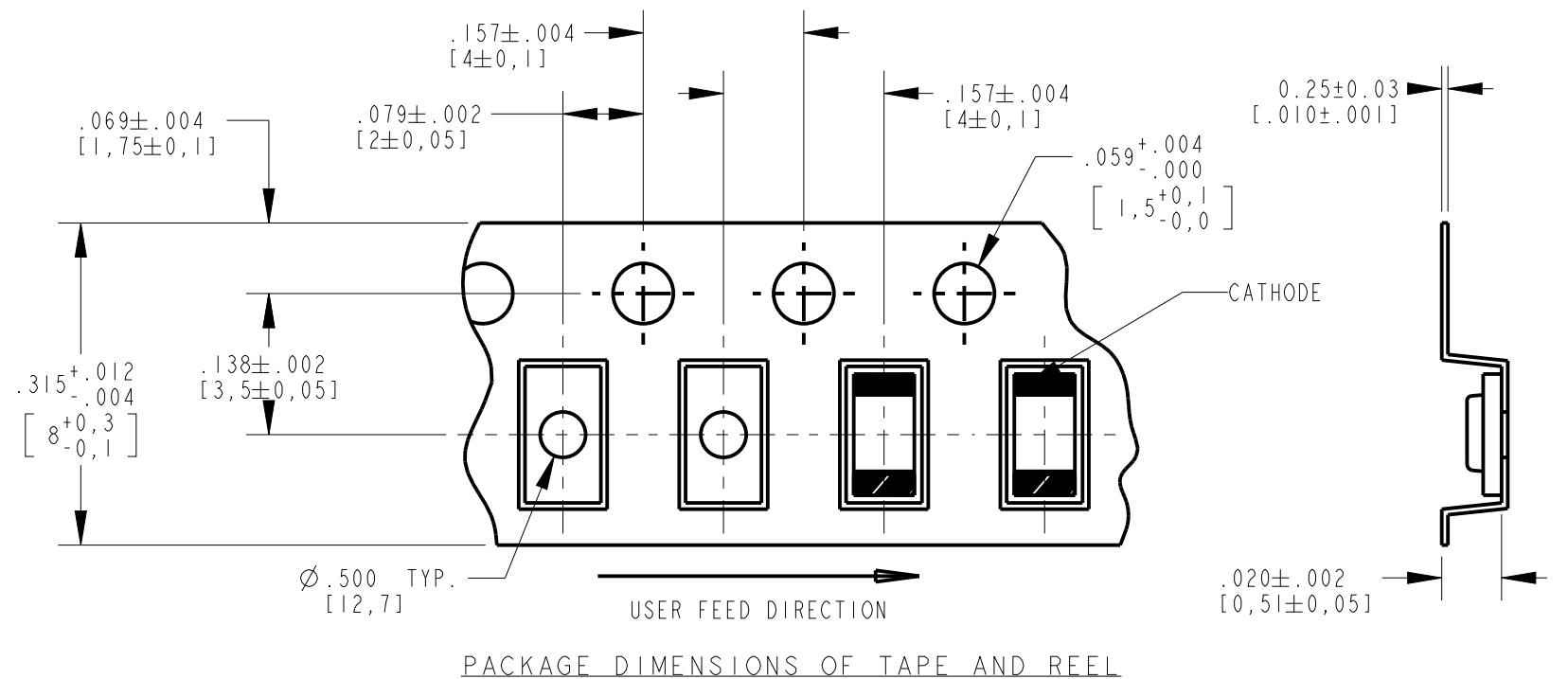
**NOTES:**

- DIALIGHT P/N: 597-3905-602F, 597-3905-607F  
SUFFIX -602F FOR 20 PCS ON A SAMPLE TAPE STRIP  
SUFFIX -607F FOR 7" DIAMETER REEL, PACKAGED 5000 PCS PER REEL.
- LABELING FOR REEL AND OUTSIDE OF ALUMINUM FOIL BAG:  
DIALIGHT P/N, QUANTITY PER REEL, DATE CODE, INTENSITY BIN CODE,  
LOT NUMBER AND COUNTRY OF ORIGIN.
- TAPE AND REEL LEDS MAY REQUIRE RE-TAPING AFTER TWELVE MONTHS.
- ESD WITHSTAND VOLTAGE 2KV ACC. TO JESD22-A114-D

ABSOLUTE MAXIMUM RATINGS AT 25°C AMBIENT		WHITE	UNITS
POWER DISSIPATION		36	mW
CONTINUOUS FORWARD CURRENT		10	mA
PEAK FORWARD CURRENT (1/10 DUTY CYCLE, 10ms PULSE WIDTH)		50	mA
ELECTROSTATIC DISCHARGE THRESHOLD (HBM)		2000	V
REFLOW SOLDERING TEMPERATURE FOR 5 SEC.		260	°C
OPERATING TEMPERATURE		-20 TO +80	°C
STORAGE TEMPERATURE		-40 TO +85	°C

**OPERATING CHARACTERISTICS AT 25°C AMBIENT**

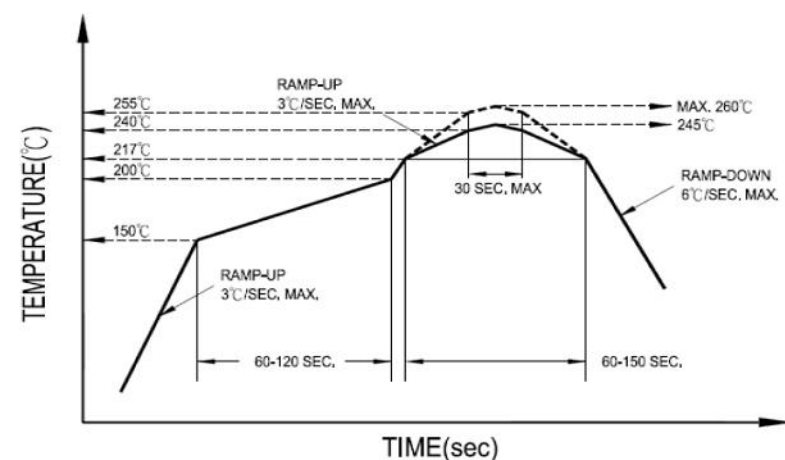
LED COLOR	CHROMATICITY COORDINATES @ I <sub>F</sub> =5mA	LUMINOUS INTENSITY (mcd) @ I <sub>F</sub> =5mA			REVERSE VOLTAGE (V) @ I <sub>F</sub> =10mA			FORWARD VOLTAGE (V) @ I <sub>F</sub> =5mA			VIEWING ANGLE (DEGREES)	
		TYP	MIN	TYP	MAX	MIN	TYP	MAX	MIN	TYP		MAX
WHITE	X	0.294	71	—	146	0	—	10	2.70	—	3.15	130
	Y	0.3005										



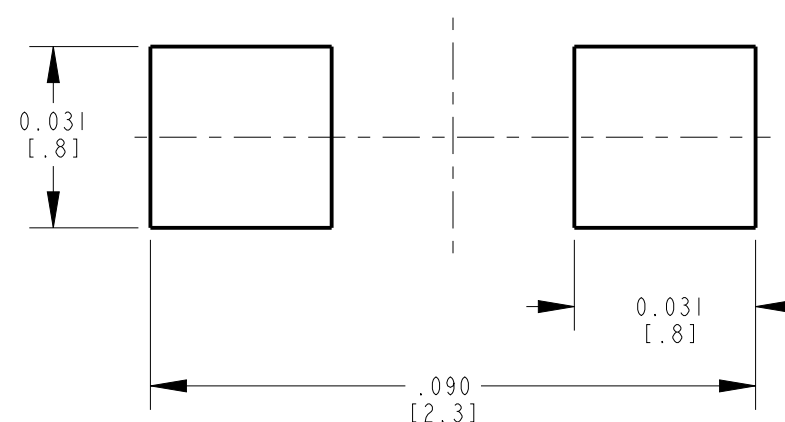
PACKAGE DIMENSIONS OF TAPE AND REEL



**ATTENTION:**  
OBSERVE PRECAUTIONS FOR  
HANDLING ELECTROSTATIC  
SENSITIVE DEVICES



RECOMMENDED ROHS SOLDER PROFILE



SUGGEST SOLDERING PAD DIMENSIONS

THIS DRAWING AND THE CONTENTS HEREIN ARE CONFIDENTIAL AND THE SOLE PROPERTY OF DIALIGHT CORP. REPRODUCTION OF THIS DRAWING OR CONSTRUCTION OF ANY PARTS WITHIN THIS DRAWING ARE FORBIDDEN WITHOUT THE WRITTEN CONSENT OF DIALIGHT CORP.		
DIALIGHT CORP. INTERNAL REFERENCE ONLY = 3D MODEL : 0603.SINGLE		
SCALE: 25	DRAWING NUMBER	REV
ALL DIM'S: INCH (mm)	<b>C-18373</b>	<b>A</b>
TOLERANCES: UNLESS OTHERWISE SPECIFIED	TITLE	
FRACTIONS: ±1/64	SM 0603 WHITE W ZENER LC 5MA	
DECIMALS (.XX): ±.01	MATERIAL	
DECIMALS (.XXX): ±.005		
DECIMALS (.XXXX): ±.0005		
ANGLES: ±1°		
FINISH		
FSCM 83330	<b>Dialight</b>	
	1501 ROUTE 34 SOUTH FARMINGDALE, NJ 07727 (732) 919-3119 www.dialight.com	
SHEET 1 OF 1	FAMILY TABLE:	