



Chipsmall Limited consists of a professional team with an average of over 10 year of expertise in the distribution of electronic components. Based in Hongkong, we have already established firm and mutual-benefit business relationships with customers from,Europe,America and south Asia,supplying obsolete and hard-to-find components to meet their specific needs.

With the principle of “Quality Parts,Customers Priority,Honest Operation,and Considerate Service”,our business mainly focus on the distribution of electronic components. Line cards we deal with include Microchip,ALPS,ROHM,Xilinx,Pulse,ON,Everlight and Freescale. Main products comprise IC,Modules,Potentiometer,IC Socket,Relay,Connector.Our parts cover such applications as commercial,industrial, and automotives areas.

We are looking forward to setting up business relationship with you and hope to provide you with the best service and solution. Let us make a better world for our industry!



Contact us

Tel: +86-755-8981 8866 Fax: +86-755-8427 6832

Email & Skype: info@chipsmall.com Web: www.chipsmall.com

Address: A1208, Overseas Decoration Building, #122 Zhenhua RD., Futian, Shenzhen, China

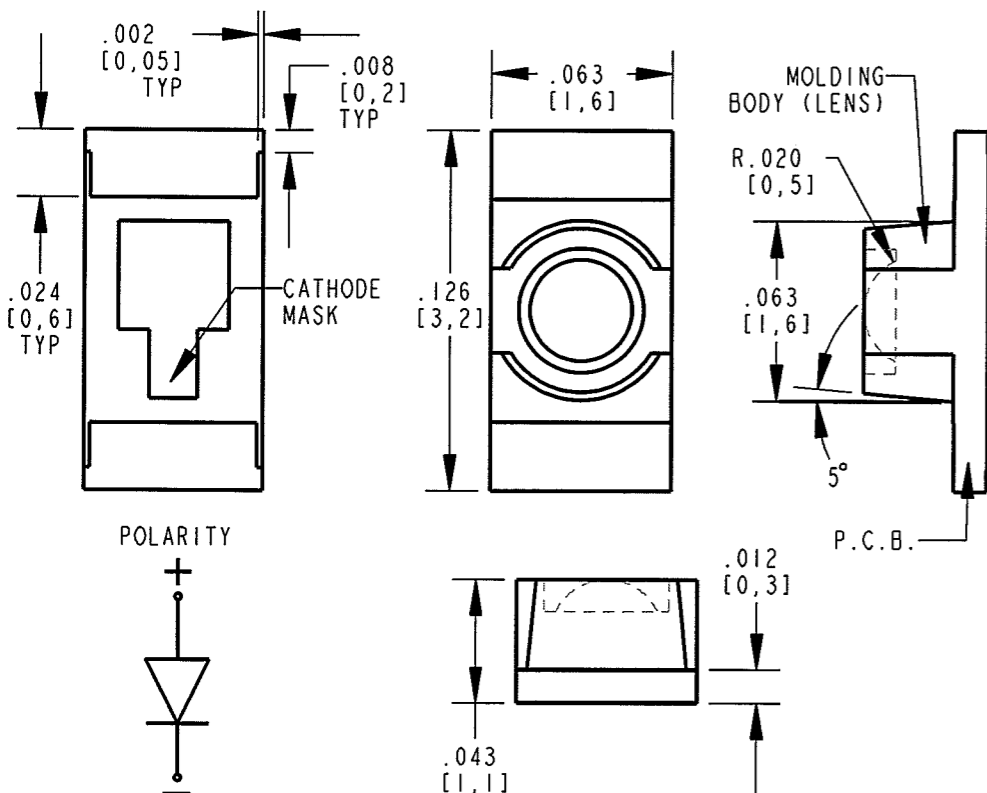
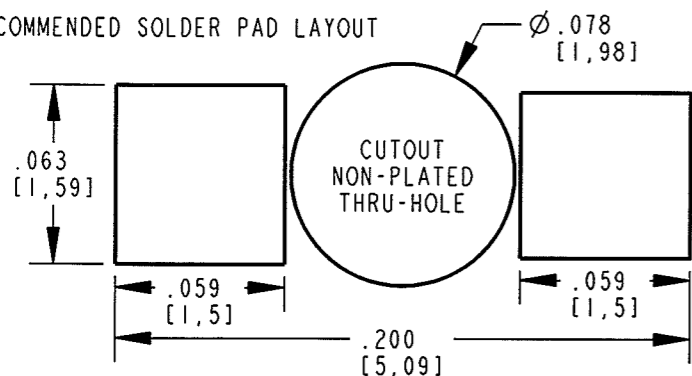


OPERATING CHARACTERISTICS AT 25°C AMBIENT

DIALIGHT PART NUMBER	COLOR	LUMINOUS INTENSITY @ $I_F = 20$ mA (mcd)			FORWARD VOLTAGE @ $I_F = 20$ mA (V)			REVERSE CURRENT (μ A)	DOMINANT WAVELENGTH (nm)			PEAK WAVELENGTH (nm)	VIEWING ANGLE (DEG)
		MIN	TYP	MAX	MIN	TYP	MAX	MAX	MIN	TYP	MAX	TYP	TYP
597-6001-602F, -607F	RED	18.0		280.0	2.0	2.4	10		631		639		70
597-6201-602F, -607F	ORANGE	71.0		450.0	2.0	2.4	10		605		611		
597-6301-602F, -607F	GREEN	112.0		710.0	2.8	3.8	100		525		530		
597-6401-602F, -607F	YELLOW	28.0		450.0	2.0	2.4	10		587		588		
597-6501-602F, -607F	YELLOW-GREEN	28.0		180.0	1.8	2.4	10	567.5	576.5		574		
597-6601-602F, -607F	BLUE	45.0		180.0	3.0	3.8	100	465	475		468		

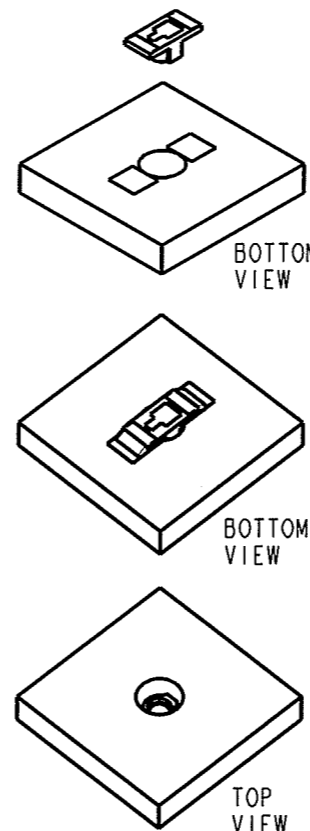
ABSOLUTE MAXIMUM RATINGS AT 25°C AMBIENT	COLOR						UNITS
	RED	ORANGE	YELLOW	YELLOW-GREEN	GREEN	BLUE	
POWER DISSIPATION	75			76			mW
DC FORWARD CURRENT	30			20			mA
PEAK FORWARD CURRENT (1/10 DUTY CYCLE, 0.1 ms PULSE)	80			100			mA
DERATE LINEARLY FROM 25°C	0.4			0.25			mA/°C
REVERSE VOLTAGE	5						V
STORAGE TEMPERATURE	-55 TO +85						°C
OPERATING TEMPERATURE	-55 TO +85						°C
SOLDERING TEMPERATURE, FOR 5 SEC	260						°C

RECOMMENDED SOLDER PAD LAYOUT



BIN CODE	LUMINOUS INTENSITY (mcd) @ $I_F=20$ mA	
	MIN	MAX
M	18.0	28.0
N	28.0	45.0
P	45.0	71.0
Q	71.0	112.0
R	112.0	180.0
S	180.0	280.0
T	280.0	450.0
U	450.0	710.0

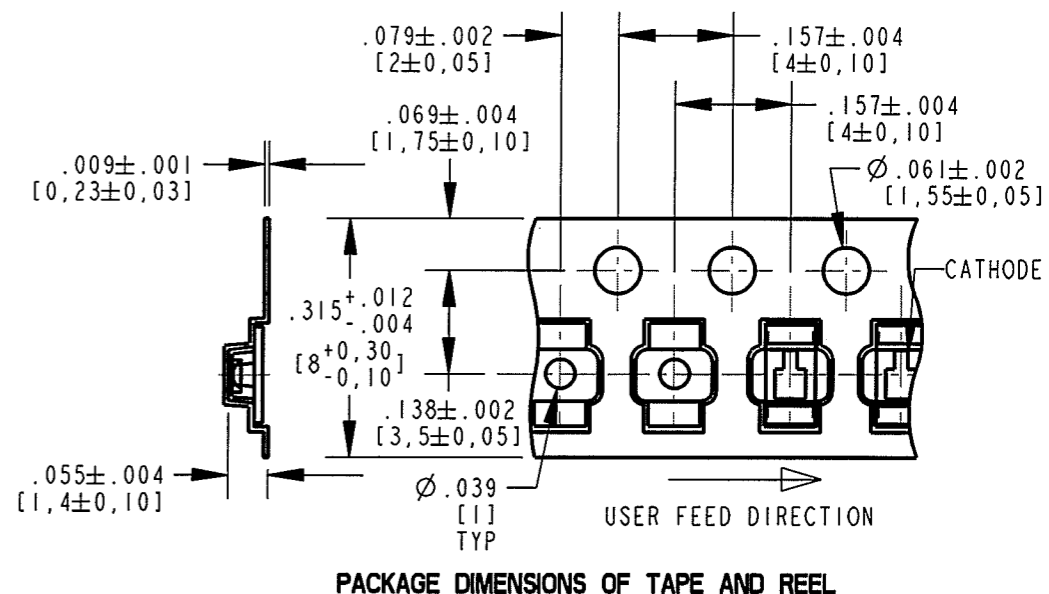
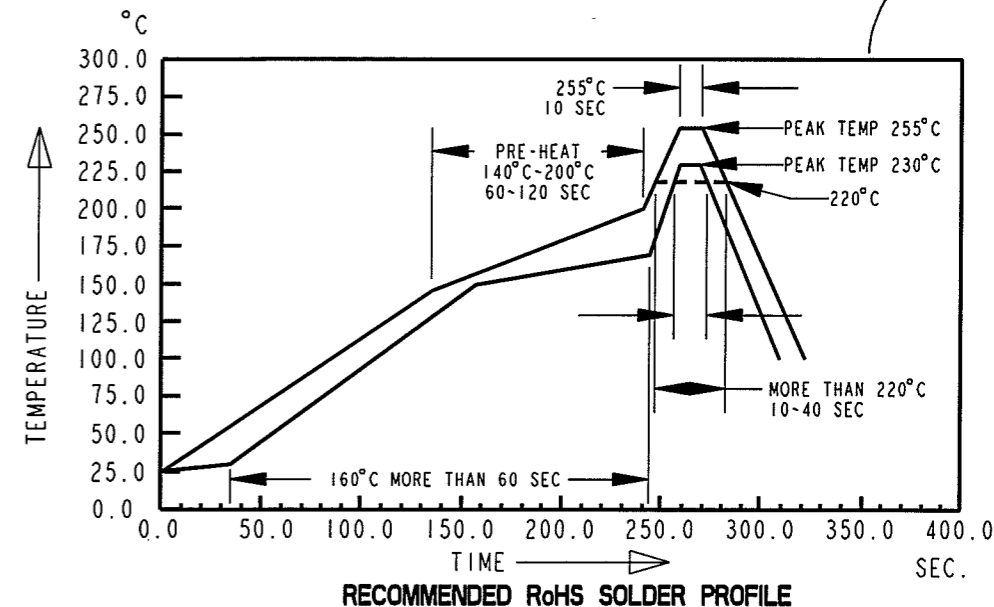
TOLERANCE ON EACH IV BIN IS $\pm 15\%$



NOTES:

- LENS: WATER CLEAR
- LED CHIP: AllInGaP (RED, ORANGE, YELLOW, YELLOW-GREEN)
InGaN (GREEN, BLUE)
- LEADS ARE GOLD (Au) PLATED FINISH.
- PACKAGING: -602F SUFFIX MEANS 20 PCS SAMPLE STRIP
-607F SUFFIX MEANS 3000 PARTS/REEL, 7 INCH (180mm) DIA. REEL.
- DIALIGHT PART NUMBERS: 597-6001-602F, -607F; 597-6201-602F, -607F; 597-6301-602F, -607F; 597-6401-602F, -607F; 597-6501-602F, -607F; 597-6601-602F, -607F.
- THIS ASSEMBLY CONTAINS ELECTROSTATIC DISCHARGE SENSITIVE DEVICES (ESDS). MAINTAIN ALL PRECAUTIONARY MEASURES DURING ASSEMBLY, HANDLING, AND STORAGE IN ACCORDANCE WITH IPC-A-610.
- MOISTURE SENSITIVITY LEVEL 3.
- TAPE AND REEL LEDS MAY REQUIRE RE-TAPING AFTER TWELVE MONTHS.

REV	ECN NO	REVISIONS	DRN	CKD	APP	DATE
A		NEW RELEASE	KLJ	7.8	10	2/28/08



ATTENTION:
OBSERVE PRECAUTIONS FOR
HANDLING ELECTROSTATIC
SENSITIVE DEVICES

THIS DRAWING AND THE CONTENTS HEREIN ARE CONFIDENTIAL AND THE SOLE PROPERTY OF DIALIGHT. REPRODUCTION OF THIS DRAWING OR CONSTRUCTION OF ANY PARTS WITHIN THIS DRAWING ARE FORBIDDEN WITHOUT THE WRITTEN CONSENT OF DIALIGHT.		
SCALE: 15.000 ALL DIM'S IN: INCHES (MM)	DRAWING NUMBER C-17596	REV A
TOLERANCES: UNLESS OTHERWISE SPECIFIED FRACTIONS: $\pm 1/64$ DECIMALS (.XX): $\pm .01$ DECIMALS (.XXX): $\pm .005$ DECIMALS (.XXXX): $\pm .0005$ ANGLES: $\pm 1^\circ$	TITLE 3.2mm x 1.6mm x 1.1mm REVERSE MOUNT LED; RoHS COMPLIANT	
FINISH:	MATERIAL	
FSCM 83330	Dialight 1501 ROUTE 34 SOUTH FARMINGDALE, NJ 07727	
SHEET 1 OF 1 FAMILY TABLE:		