



Chipsmall Limited consists of a professional team with an average of over 10 year of expertise in the distribution of electronic components. Based in Hongkong, we have already established firm and mutual-benefit business relationships with customers from,Europe,America and south Asia,supplying obsolete and hard-to-find components to meet their specific needs.

With the principle of “Quality Parts,Customers Priority,Honest Operation,and Considerate Service”,our business mainly focus on the distribution of electronic components. Line cards we deal with include Microchip,ALPS,ROHM,Xilinx,Pulse,ON,Everlight and Freescale. Main products comprise IC,Modules,Potentiometer,IC Socket,Relay,Connector.Our parts cover such applications as commercial,industrial, and automotives areas.

We are looking forward to setting up business relationship with you and hope to provide you with the best service and solution. Let us make a better world for our industry!



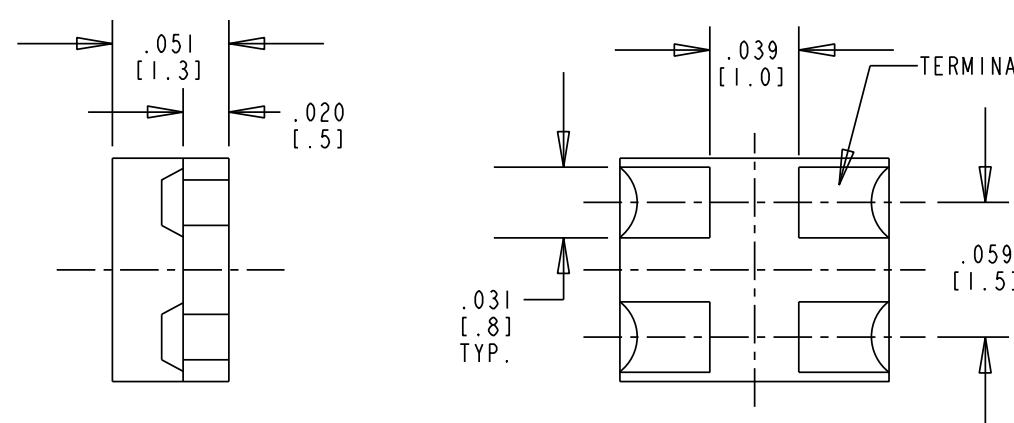
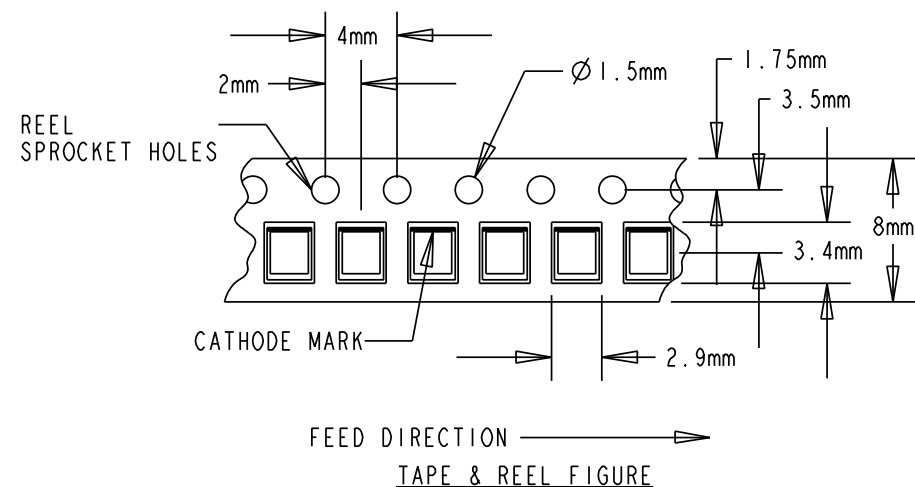
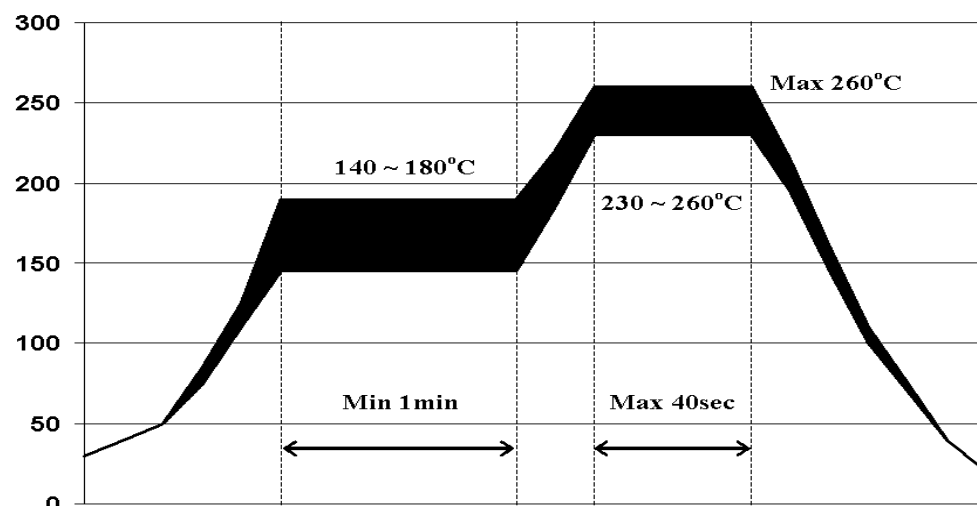
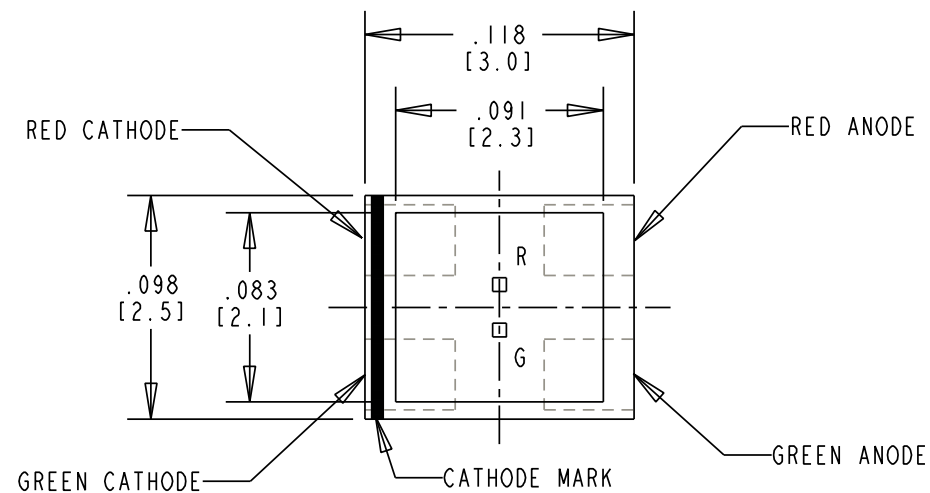
Contact us

Tel: +86-755-8981 8866 Fax: +86-755-8427 6832

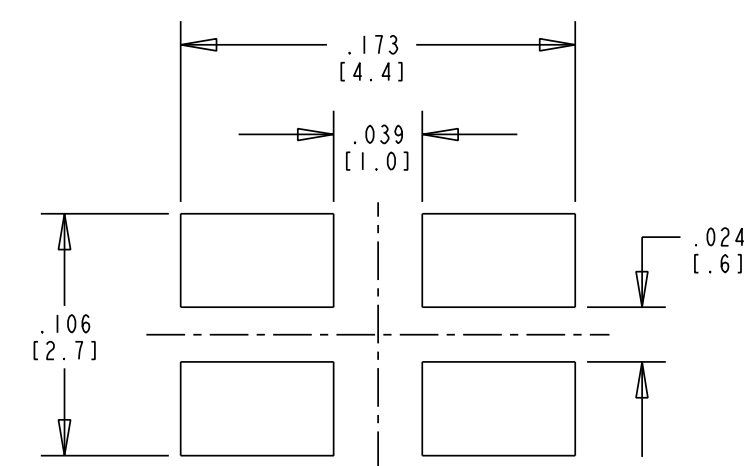
Email & Skype: info@chipsmall.com Web: www.chipsmall.com

Address: A1208, Overseas Decoration Building, #122 Zhenhua RD., Futian, Shenzhen, China





REV	ECN NO	REVISIONS	DRN	CKD	APP	DATE
A	---	NEW RELEASE	DC	---	N.O.	3-25-97
B	---	ADDED NOTES 7 AND 8.	TC	DC	N.O.	6-9-99
C	---	CHANGED RED CATHODE TO RED ANODE, GREEN CATHODE TO GREEN ANODE ON RIGHT SIDE OF THE CATHODE MARK.	DC	JMC	N.O.	9-13-02
D	---	UPDATED LED SPECS.	YIS	JMC	Y.C.	2-21-03
E	---	ADDED RoHS COMPLIANT "F" SUFFIX P/Ns; RoHS REFLOW PROFILE AND RoHS NOTE; ADDED -502 SAMPLE STRIP; UPDATED FORMAT AND PLATING NOTE	TWC			



RECOMMENDED SOLDER LAND PATTERN

LED CHARACTERISTICS	COLOR	MIN.	TYP.	MAX.	UNITS	TEST CONDITIONS
LUMINOUS INTENSITY	RED GREEN	3.6 9.0	6.3 16.0	9.0 23.0	mc d	I _F = 20 mA
FORWARD VOLTAGE	RED GREEN		2.0 2.2	2.8 2.8	V	I _F = 20 mA
REVERSE CURRENT	RED GREEN			100	μA	V _R = 4 V
PEAK WAVELENGTH	RED GREEN		650 570		nm	
DOMINANT WAVELENGTH	RED GREEN	645 568	653 575	660 582	nm	
VIEWING ANGLE (2 θ 1/2)	RED GREEN		100		DEGREES	

ABSOLUTE MAXIMUM RATINGS AT 25 °C AMBIENT	RED	GREEN	UNITS
POWER DISSIPATION	60		mW
CONTINUOUS FORWARD CURRENT	25		mA
DERATE LINEARLY FROM 25 °C	.4	.3	mA/°C
PEAK FORWARD CURRENT (PULSE WIDTH 1 ms, DUTY 20%)	60		mA
REVERSE VOLTAGE	4		V
OPERATING TEMPERATURE	-30 TO +85		°C
STORAGE TEMPERATURE	-40 TO +85		°C

- NOTES:
- EPOXY COLOR: WATER CLEAR.
 - DIE: GaAsP RED/GaP GREEN.
 - LEADS: GOLD (Au), COPPER (Cu), NICKEL (Ni)
 - SOLDER ADHERANCE: BOTH LEADS PER MIL. STD. 202E, METHOD 208C.
 - PARTS TO BE TAPED AND REELED PER EIA-481-1 SPEC.
 - SUFFIX -507 FOR 180 mm DIA. REEL, 8 mm WIDE TAPE, PACKAGED 2500-PCS PER REEL.
 - TAPE AND REEL LEDS MAY REQUIRE RE-TAPING AFTER TWELVE MONTHS.
 - DIALIGHT PART NUMBER: 597-7701-507, -502 597-7701-507F, -502F.
 - PART NUMBER WITH "F" SUFFIX ENDING IS RoHS COMPLIANT. EXAMPLE: 597-7701-507F. THE BAG PACKAGING IS MARKED WITH "RoHS COMPLIANT" LABEL OR EQUIVALENT MARKINGS. PART CAN BE WAVE SOLDERED, DIP SOLDERED OR HAND SOLDERED USING TYPICAL LEAD-FREE SOLDERING PROCESS WITH MAX. 260°C TEMPERATURE FOR 5 SEC.

THIS DRAWING AND THE CONTENTS HEREIN ARE CONFIDENTIAL AND THE SOLE PROPERTY OF DIALIGHT. REPRODUCTION OF THIS DRAWING OR CONSTRUCTION OF ANY PARTS WITHIN THIS DRAWING ARE FORBIDDEN WITHOUT THE WRITTEN CONSENT OF DIALIGHT.

SCALE: DRAWING SCALE ALL DIM'S IN: INCHES (MM)	DRAWING NUMBER C-16196	REV E
TOLERANCES: UNLESS OTHERWISE SPECIFIED FRACTIONS: ±1/64 DECIMALS (.XX): ±.01 DECIMALS (.XXX): ±.005 DECIMALS (.XXXX): ±.0005 ANGLES: ±1°	TITLE RED/GREEN BICOLOR SMT LED	
FINISH:	MATERIAL	
FSCM 83330		
	1501 ROUTE 34 SOUTH FARMINGDALE, NJ 07727	
	SHEET 1 OF 1	FAMILY TABLE: