



Chipsmall Limited consists of a professional team with an average of over 10 year of expertise in the distribution of electronic components. Based in Hongkong, we have already established firm and mutual-benefit business relationships with customers from,Europe,America and south Asia,supplying obsolete and hard-to-find components to meet their specific needs.

With the principle of “Quality Parts,Customers Priority,Honest Operation,and Considerate Service”,our business mainly focus on the distribution of electronic components. Line cards we deal with include Microchip,ALPS,ROHM,Xilinx,Pulse,ON,Everlight and Freescale. Main products comprise IC,Modules,Potentiometer,IC Socket,Relay,Connector.Our parts cover such applications as commercial,industrial, and automotives areas.

We are looking forward to setting up business relationship with you and hope to provide you with the best service and solution. Let us make a better world for our industry!



Contact us

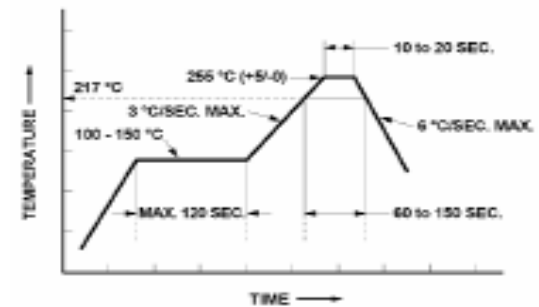
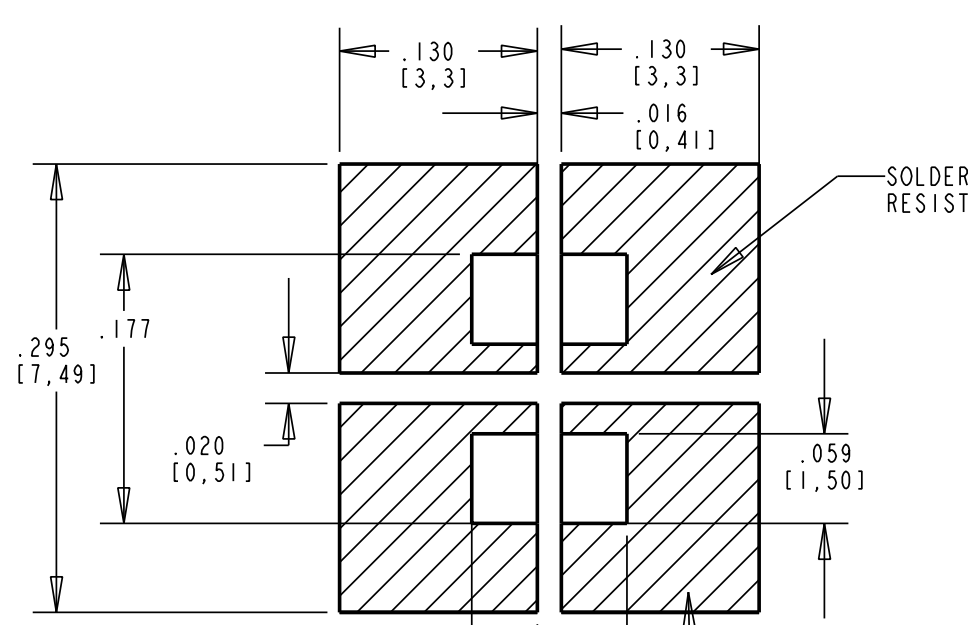
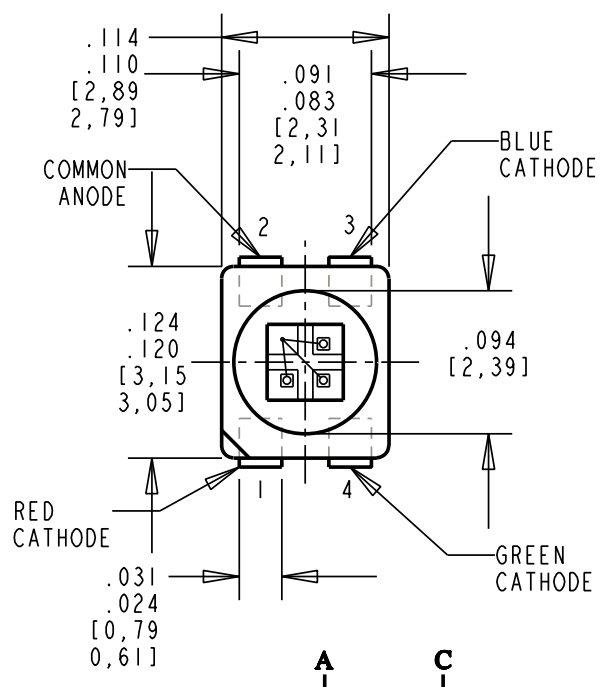
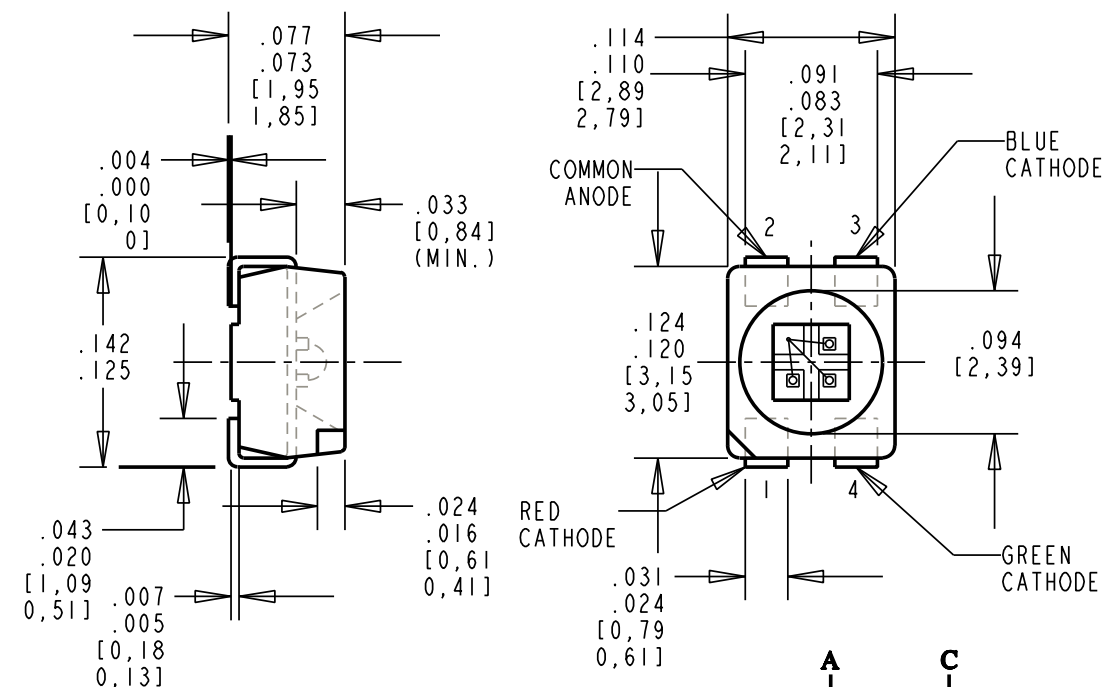
Tel: +86-755-8981 8866 Fax: +86-755-8427 6832

Email & Skype: info@chipsmall.com Web: www.chipsmall.com

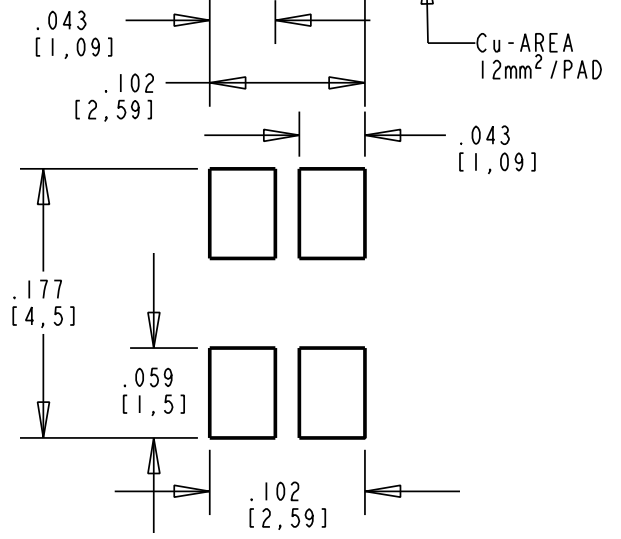
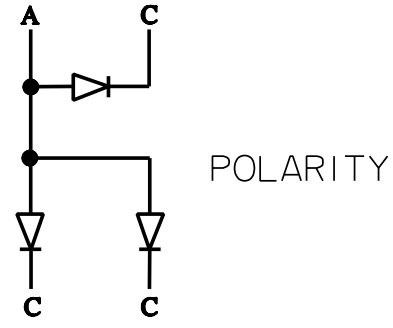
Address: A1208, Overseas Decoration Building, #122 Zhenhua RD., Futian, Shenzhen, China



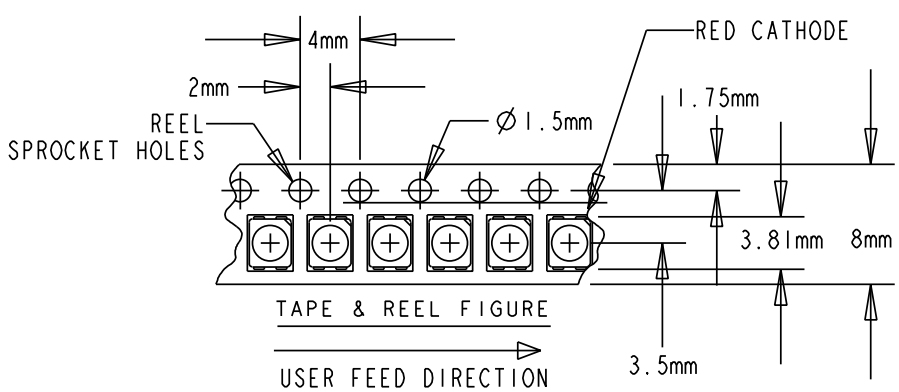
REV	ECN NO	REVISIONS	DRN	CKD	APP	DATE
A		NEW RELEASE	TWC			



RoHS COMPLIANT (Pb FREE)
REFLOW SOLDERING PROFILE



RECOMMENDED SOLDER PAD LAYOUT



TAPE & REEL FIGURE
USER FEED DIRECTION

NOTES:

- EPOXY COLOR: WATER CLEAR.
- DIE: (BLUE: InGaN, GREEN: InGaN, RED: AlInGaP).
- LEADS: TIN PLATED, BASE METAL COPPER ALLOY.
- SOLDER ADHERANCE: BOTH LEADS PER MIL-STD-202E, METHOD 208C.
- PART TAPED AND REELED PER EIA-RS-481-1.
- SUFFIX -302F FOR 20 PCS ON A SAMPLE TAPE STRIP.
- SUFFIX -307F FOR 7" DIAMETER REEL, PACKAGED 2000 PCS PER REEL.
- LABELING FOR REEL AND OUTSIDE OF ALUMINUM FOIL BAG: DIALIGHT P/N, R/G/B TRI-COLOR, QUANTITY PER REEL, DATE CODE, INTENSITY BIN CODE, LOT NUMBER AND COUNTRY OF ORIGIN.
- DIALIGHT P/N: 597-7711-302F, 597-7711-307F.
- DEVICES HAVE A MOISTURE SENSITIVITY LEVEL OF 2a. SHELF LIFE IN SEALED BAG: 24 MONTHS @ <40 °C AND <90% RELATIVE HUMIDITY.

OPERATING CHARACTERISTICS AT 25 °C AMBIENT

LED CHARACTERISTICS	COLOR	MIN.	TYP.	MAX.	UNITS	TEST CONDITIONS
LUMINOUS INTENSITY	BLUE GREEN RED	25 99 40	40 160 80	60 180	mcd	$I_F = 20 \text{ mA}$
FORWARD VOLTAGE	BLUE GREEN RED		3.4 3.4 1.9	4.05 4.05 2.4	V	$I_F = 20 \text{ mA}$
REVERSE CURRENT	BLUE GREEN RED		100 100 100		μA	$V_R = 5\text{V}$
PEAK WAVELENGTH	BLUE GREEN RED		468 523 635		nm	$I_F = 20 \text{ mA}$
DOMINANT WAVELENGTH	BLUE GREEN RED		470 525 626		nm	$I_F = 20 \text{ mA}$
2 X 1/2 - INTENSITY ANGLE	BLUE GREEN RED		120 120 120		DEGREES	

ABSOLUTE MAXIMUM RATINGS AT 25 °C AMBIENT

	RED	GREEN	BLUE	UNIT
POWER DISSIPATION (TOTAL)	72	120	120	mW
CONTINUOUS FORWARD CURRENT (SINGLE CHIP)	30	20	20	mA
DERATE LINEARLY FROM 80°C (*BLUE & GREEN FROM 70°C) BASED ON 1 CHIP ON	1.00	*0.67	*0.40	mA/°C
DERATE LINEARLY FROM 65°C (*BLUE & GREEN FROM 50°C) BASED ON 3 CHIPS ON	0.75	*0.30	*0.30	mA/°C
SURGE CURRENT	0.5	0.5	0.2	A
REVERSE VOLTAGE	5	5	5	V
OPERATING TEMPERATURE RANGE	-55 TO +100			°C
STORAGE TEMPERATURE RANGE	-55 TO +100			°C
JUNCTION TEMPERATURE	+110			°C

RoHS Compliant 597-7711-30XF Surface Mount LED

Part Numbers with the "F" suffix ending are RoHS Compliant.
Example: 597-7711-307F
Packaging is marked with "RoHS Compliant" label or equivalent markings.
Parts can be reflow soldered per RoHS reflow profile, wave soldered, dip soldered or hand soldered using typical lead-free soldering process with max 260°C temp. for 10-20 sec.

THIS DRAWING AND THE CONTENTS HEREIN ARE CONFIDENTIAL AND THE SOLE PROPERTY OF DIALIGHT. REPRODUCTION OF THIS DRAWING OR CONSTRUCTION OF ANY PARTS WITHIN THIS DRAWING ARE FORBIDDEN WITHOUT THE WRITTEN CONSENT OF DIALIGHT.

SCALE: DRAWING SCALE ALL DIM'S IN: INCHES (MM)	DRAWING NUMBER C-17396	REV A
TOLERANCES: UNLESS OTHERWISE SPECIFIED FRACTIONS: ±1/64 DECIMALS (.XX): ±.01 DECIMALS (.XXX): ±.005 DECIMALS (.XXXX): ±.0005 ANGLES: ±1°	TITLE R/G/B TRI-COLOR SMT LED RoHS COMPLIANT	MATERIAL
FINISH:		
FSCM 83330	1501 ROUTE 34 SOUTH FARMINGDALE, NJ 07727	
SHEET 1 OF 1		FAMILY TABLE:



ATTENTION:
OBSERVE PRECAUTIONS FOR
HANDLING ELECTROSTATIC
SENSITIVE DEVICES