



Chipsmall Limited consists of a professional team with an average of over 10 year of expertise in the distribution of electronic components. Based in Hongkong, we have already established firm and mutual-benefit business relationships with customers from,Europe,America and south Asia,supplying obsolete and hard-to-find components to meet their specific needs.

With the principle of “Quality Parts,Customers Priority,Honest Operation,and Considerate Service”,our business mainly focus on the distribution of electronic components. Line cards we deal with include Microchip,ALPS,ROHM,Xilinx,Pulse,ON,Everlight and Freescale. Main products comprise IC,Modules,Potentiometer,IC Socket,Relay,Connector.Our parts cover such applications as commercial,industrial, and automotives areas.

We are looking forward to setting up business relationship with you and hope to provide you with the best service and solution. Let us make a better world for our industry!



Contact us

Tel: +86-755-8981 8866 Fax: +86-755-8427 6832

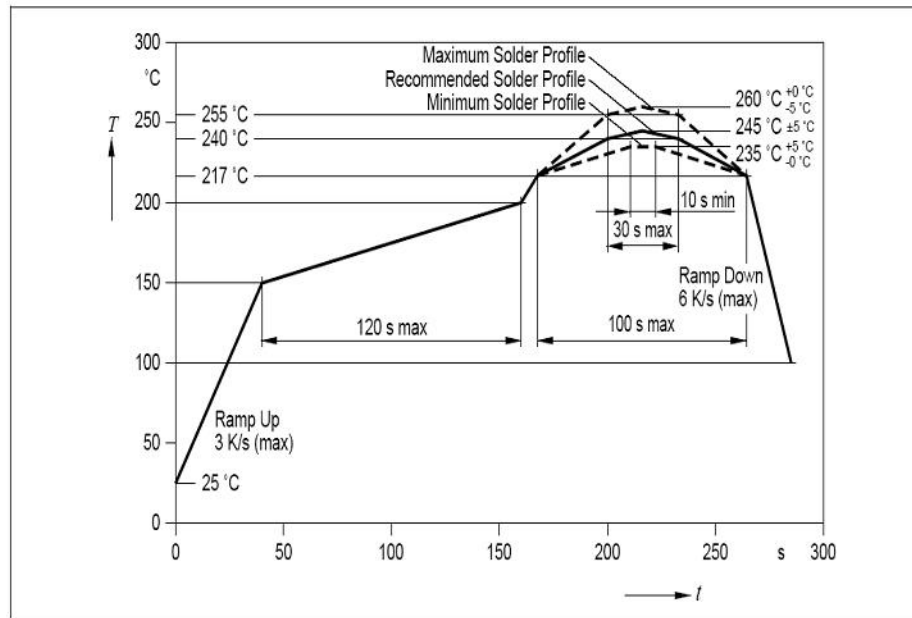
Email & Skype: info@chipsmall.com Web: www.chipsmall.com

Address: A1208, Overseas Decoration Building, #122 Zhenhua RD., Futian, Shenzhen, China



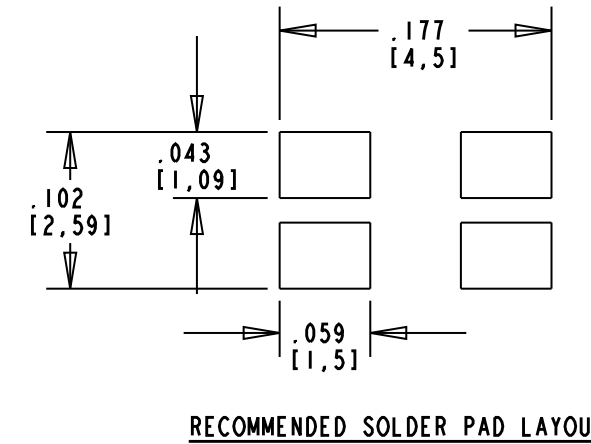
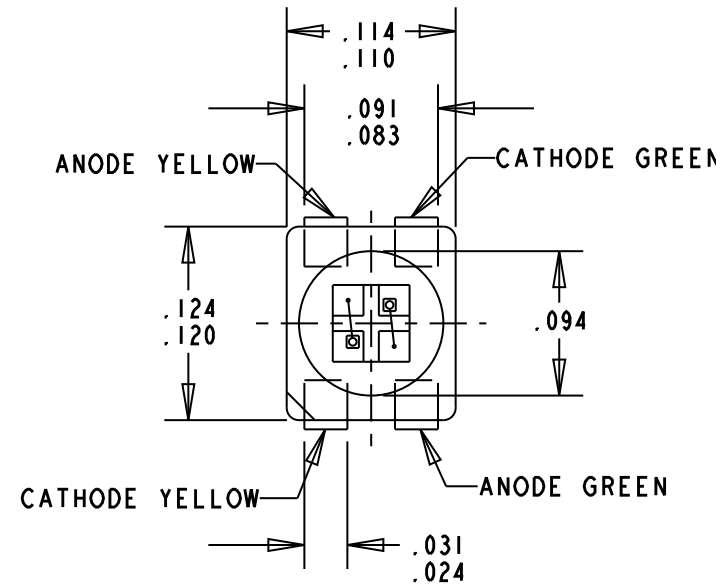
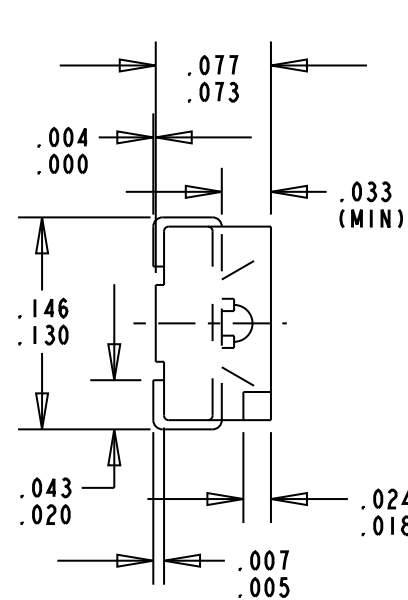
LED CHARACTERISTICS	COLOR	MIN.	TYP.	MAX.	UNITS	TEST CONDITIONS
LUMINOUS INTENSITY	YELLOW	8	16	40	mcd	$I_f = 20 \text{ mA}$
	GREEN	8	16	40		
FORWARD VOLTAGE	YELLOW		2.1	2.6	V	$I_f = 20 \text{ mA}$
	GREEN		2.0	2.7		
REVERSE CURRENT	YELLOW		10	100	μA	$V_r = 5 \text{ V}$
	GREEN		10	100		
PEAK WAVELENGTH	YELLOW		586		nm	
	GREEN		565			
DOMINANT WAVELENGTH	YELLOW	584	590	596	nm	
	GREEN	564	570	576		
VIEWING ANGLE ($2\theta_{1/2}$)	YELLOW		120		DEG.	$I_f = 20 \text{ mA}$
	GREEN		120			

ABSOLUTE MAXIMUM RATINGS AT 25 °C AMBIENT	YELLOW	GREEN	UNITS
POWER DISSIPATION	95		mW
CONTINUOUS FORWARD CURRENT	30		mA
REVERSE VOLTAGE	5		V
OPERATING TEMPERATURE	-40 TO +100		°C
STORAGE TEMPERATURE	-40 TO +100		°C

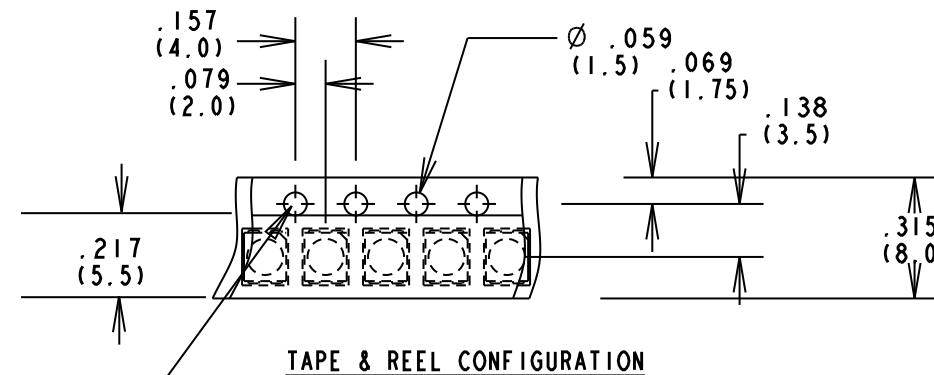


IR REFLOW SOLDERING PROFILE FOR LEAD FREE SOLDERING

REV	ECN NO	REVISIONS	DRN	CKD	APP	DATE
A		NEW RELEASE	TWC			
B		.130-.146 WAS ".125-.142"	AJF	KLJ	NO	4-2-10



RECOMMENDED SOLDER PAD LAYOUT



TAPE & REEL CONFIGURATION

REEL SPROCKET HOLES
YELLOW CATHODE IDENTIFICATION
NOTCH TOWARDS THESE HOLES

NOTE:

- EPOXY COLOR: WATER CLEAR.
- DIE: GaP FOR GREEN AND GaAsP/GaP FOR YELLOW.
- LEADS: TIN (Sn) OVER NICKEL (Ni) WITH COPPER ALLOY (Cu) LEAD FRAME
- SOLDER ADHERANCE: BOTH LEADS PER MIL-STD-202E, METHOD 208C.
- PART TAPED AND REELED PER EIA-RS-481-1.
- SUFFIX -202F FOR 20 PCS ON A SAMPLE TAPE STRIP.
- SUFFIX -207F FOR 7" DIAMETER REEL, PACKAGED 2000 PCS PER REEL.
- LABELING FOR REEL AND OUTSIDE OF ALUMINUM FOIL BAG:
DIALIGHT P/N, R/G BICOLOR, QUANTITY PER REEL, DATE CODE,
INTENSITY BIN CODE, LOT NUMBER AND COUNTRY OF ORIGIN.
- DIALIGHT P/N: 597-7721-202F, 597-7721-207F.
- TAPE AND REEL LEDS MAY REQUIRE RE-TAPING AFTER TWELVE MONTHS.
- PRODUCT P/N WITH "F" SUFFIX ENDING IS RoHS COMPLIANT.

THIS DRAWING AND THE CONTENTS HEREIN ARE CONFIDENTIAL AND THE SOLE PROPERTY OF DIALIGHT. REPRODUCTION OF THIS DRAWING OR CONSTRUCTION OF ANY PARTS WITHIN THIS DRAWING ARE FORBIDDEN WITHOUT THE WRITTEN CONSENT OF DIALIGHT.

SCALE: DRAWING SCALE ALL DIM'S IN: INCHES (MM)	DRAWING NUMBER C-17261	REV B
TOLERANCES: UNLESS OTHERWISE SPECIFIED FRACTIONS: ±1/64 DECIMALS (.XX): ±.01 DECIMALS (.XXX): ±.005 DECIMALS (.XXXX): ±.0005 ANGLES: ±1°	TITLE PLCC-4, Y/G BI-COLOR RoHS COMPLIANT	MATERIAL
FINISH:	Dialight	1501 ROUTE 34 SOUTH FARMINGDALE, NJ 07727
FSCM 83330	SHEET 1 OF 1	FAMILY TABLE: