



Chipsmall Limited consists of a professional team with an average of over 10 year of expertise in the distribution of electronic components. Based in Hongkong, we have already established firm and mutual-benefit business relationships with customers from,Europe,America and south Asia,supplying obsolete and hard-to-find components to meet their specific needs.

With the principle of “Quality Parts,Customers Priority,Honest Operation,and Considerate Service”,our business mainly focus on the distribution of electronic components. Line cards we deal with include Microchip,ALPS,ROHM,Xilinx,Pulse,ON,Everlight and Freescale. Main products comprise IC,Modules,Potentiometer,IC Socket,Relay,Connector.Our parts cover such applications as commercial,industrial, and automotives areas.

We are looking forward to setting up business relationship with you and hope to provide you with the best service and solution. Let us make a better world for our industry!



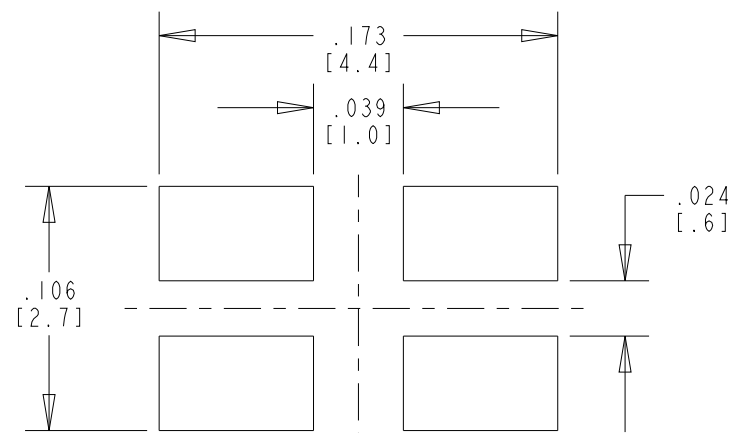
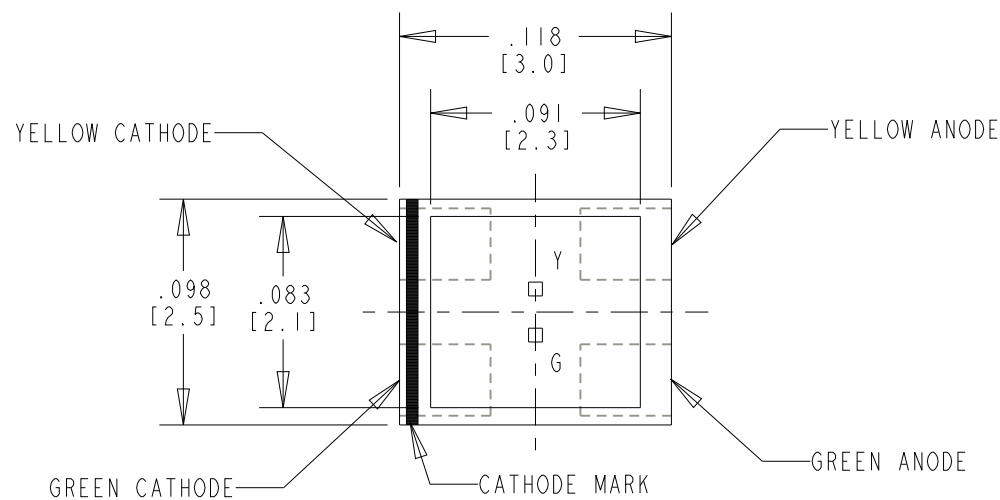
Contact us

Tel: +86-755-8981 8866 Fax: +86-755-8427 6832

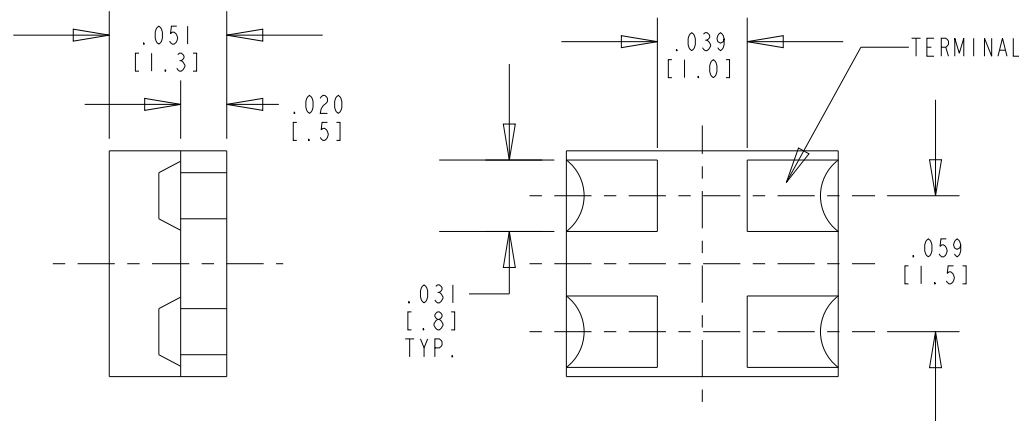
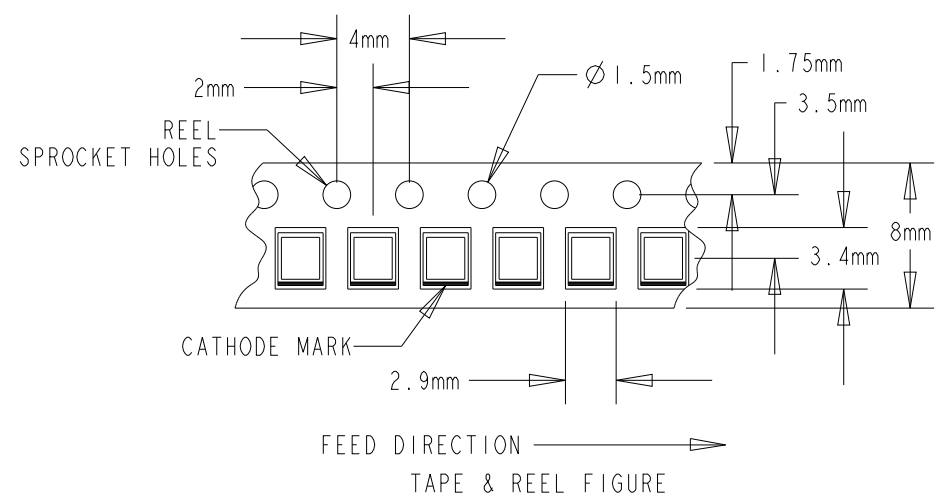
Email & Skype: info@chipsmall.com Web: www.chipsmall.com

Address: A1208, Overseas Decoration Building, #122 Zhenhua RD., Futian, Shenzhen, China





RECOMMENDED SOLDER LAND PATTERN
TOLERANCES: ±.004



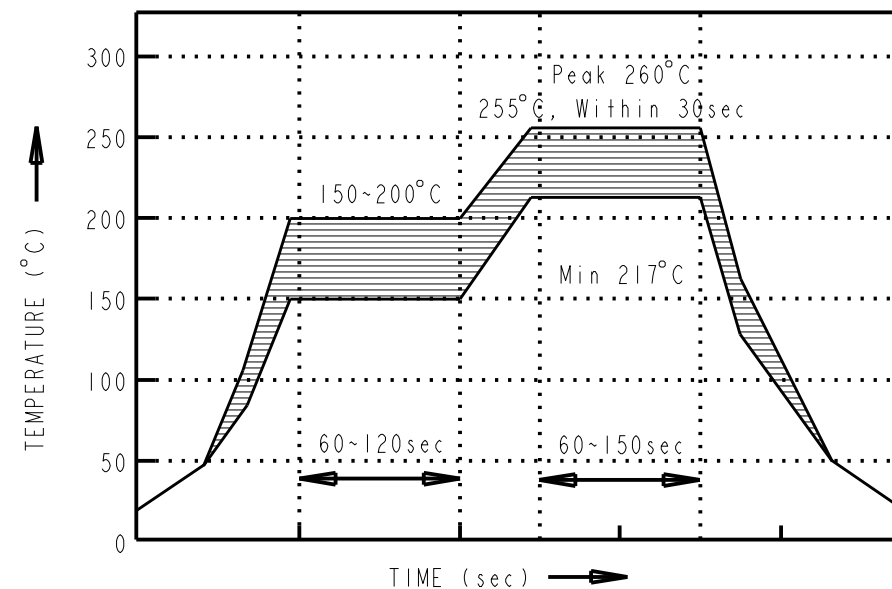
NOTES:

- EPOXY COLOR: WATER CLEAR.
- DIE: YELLOW GaAsP ON GaP; GREEN GaP.
- LEADS: GOLD PLATED.
- SOLDER ADHERANCE: BOTH LEADS PER MIL. STD. 202E, METHOD 208C.
- PARTS TO BE TAPED AND REELED PER EIA-481-1 SPEC.
- 502F SUFFIX ENDING: 20 PCS SAMPLE STRIP
-507F SUFFIX ENDING: 2500 PCS PER REEL WITH ALL PARTS ON ONE REEL FROM SAME LOT AND SAME BIN CATEGORY.
- LABELING: REELS IDENTIFIED WITH DIALIGHT P/N, QUANTITY, DATE CODE, AND INTENSITY BIN CATEGORY.
- TAPE AND REEL LEDs MAY REQUIRE RE-TAPING AFTER 12 MONTHS.
- DIALIGHT PART NUMBER: 597-7721-502F, 597-7721-507F
- THIS ASSEMBLY CONTAINS ELECTROSTATIC DISCHARGE SENSITIVE DEVICES (ESDS). MAINTAIN ALL PRECAUTIONARY MEASURES DURING ASSEMBLY, HANDLING AND STORAGE IN ACCORDANCE WITH IPC-A-610.



ATTENTION:
OBSERVE PRECAUTIONS FOR
HANDLING ELECTROSTATIC
SENSITIVE DEVICES

| REV | ECN NO | REVISIONS | DRN | CKD | APP | DATE |
|-----|--------|---|-----|------|-----|---------|
| A | | NEW RELEASE | SM | N.O. | MES | |
| B | | "YELLOW ANODE" WAS "RED ANODE" AND "YELLOW CATHODE" WAS "RED CATHODE" IN ERROR; CATHODE MARK WAS DISPLAYED TOWARDS REEL SPROCKET HOLES IN ERROR; ADDED P/N 597-7721-502F (20 PC STRIP). | KLJ | NO | MES | 2-4-09 |
| C | | UPDATE RoHS SOLDER PROFILE GRAPH AND LUMINOUS INTENSITY | JTD | MES | NO | 1-24-12 |



RECOMMENDED RoHS SOLDER PROFILE

RoHS Compliant 597-7721-502F, -507F SMT LED

Part Numbers with the "F" suffix ending are RoHS Compliant. Packaging is marked with "RoHS Compliant" label or equivalent markings. Parts can be reflow soldered per RoHS reflow profile, wave soldered, dip soldered or hand soldered using typical lead-free soldering process with max 260°C temp. for 10-20 sec.

| OPERATING CHARACTERISTICS AT 25°C AMBIENT | | | | | | |
|---|-----------------|------------|--------------|--------------|--------|------------------------|
| LED CHARACTERISTICS | COLOR | MIN | TYP | MAX | UNITS | TEST CONDITIONS |
| LUMINOUS INTENSITY | YELLOW GREEN | 5.6 9.0 | 10.0 21.0 | 18.0 45.0 | mc d | I _F = 20 mA |
| FORWARD VOLTAGE | YELLOW GREEN | | 2.1 2.2 | 2.8 2.8 | V | I _F = 20 mA |
| REVERSE CURRENT | YELLOW GREEN | | | 100 | μA | V _R = 4 V |
| PEAK WAVELENGTH | YELLOW GREEN | | 585 570 | | nm | |
| DOMINANT WAVELENGTH | YELLOW GREEN | 582 568 | 589 575 | 596 582 | nm | |
| VIEWING ANGLE (2 Θ 1/2) | YELLOW GREEN | | 100 | | DEGREE | |

| ABSOLUTE MAXIMUM RATINGS AT 25°C AMBIENT | | | |
|---|------------|-------|-------|
| | YELLOW | GREEN | UNITS |
| POWER DISSIPATION | 60 | | mW |
| CONTINUOUS FORWARD CURRENT | 25 | | mA |
| PEAK FORWARD CURRENT (PULSE WIDTH 1 ms, DUTY 20%) | 60 | | mA |
| REVERSE VOLTAGE | 4 | | V |
| OPERATING TEMPERATURE | -30 TO +85 | | °C |
| STORAGE TEMPERATURE | -40 TO +85 | | °C |

| | | |
|---|---|---------------|
| THIS DRAWING AND THE CONTENTS HEREIN ARE CONFIDENTIAL AND THE SOLE PROPERTY OF DIALIGHT. REPRODUCTION OF THIS DRAWING OR CONSTRUCTION OF ANY PARTS WITHIN THIS DRAWING ARE FORBIDDEN WITHOUT THE WRITTEN CONSENT OF DIALIGHT. | | |
| SCALE: DRAWING SCALE ALL DIM'S IN: INCHES (MM) | DRAWING NUMBER C-17525 | REV C |
| TOLERANCES: UNLESS OTHERWISE SPECIFIED FRACTIONS: ±1/64 DECIMALS (.XX): ±.01 DECIMALS (.XXX): ±.008 | TITLE YELLOW/GREEN BI COLOR SMT LED | |
| ANGLES: ±1° FINISH: | MATERIAL | |
| FSCM 83330 | Dialight 1501 ROUTE 34 SOUTH FARMINGDALE, NJ 07727 | |
| | SHEET 1 OF 1 | FAMILY TABLE: |