



Chipsmall Limited consists of a professional team with an average of over 10 year of expertise in the distribution of electronic components. Based in Hongkong, we have already established firm and mutual-benefit business relationships with customers from,Europe,America and south Asia,supplying obsolete and hard-to-find components to meet their specific needs.

With the principle of “Quality Parts,Customers Priority,Honest Operation,and Considerate Service”,our business mainly focus on the distribution of electronic components. Line cards we deal with include Microchip,ALPS,ROHM,Xilinx,Pulse,ON,Everlight and Freescale. Main products comprise IC,Modules,Potentiometer,IC Socket,Relay,Connector.Our parts cover such applications as commercial,industrial, and automotives areas.

We are looking forward to setting up business relationship with you and hope to provide you with the best service and solution. Let us make a better world for our industry!



Contact us

Tel: +86-755-8981 8866 Fax: +86-755-8427 6832

Email & Skype: info@chipsmall.com Web: www.chipsmall.com

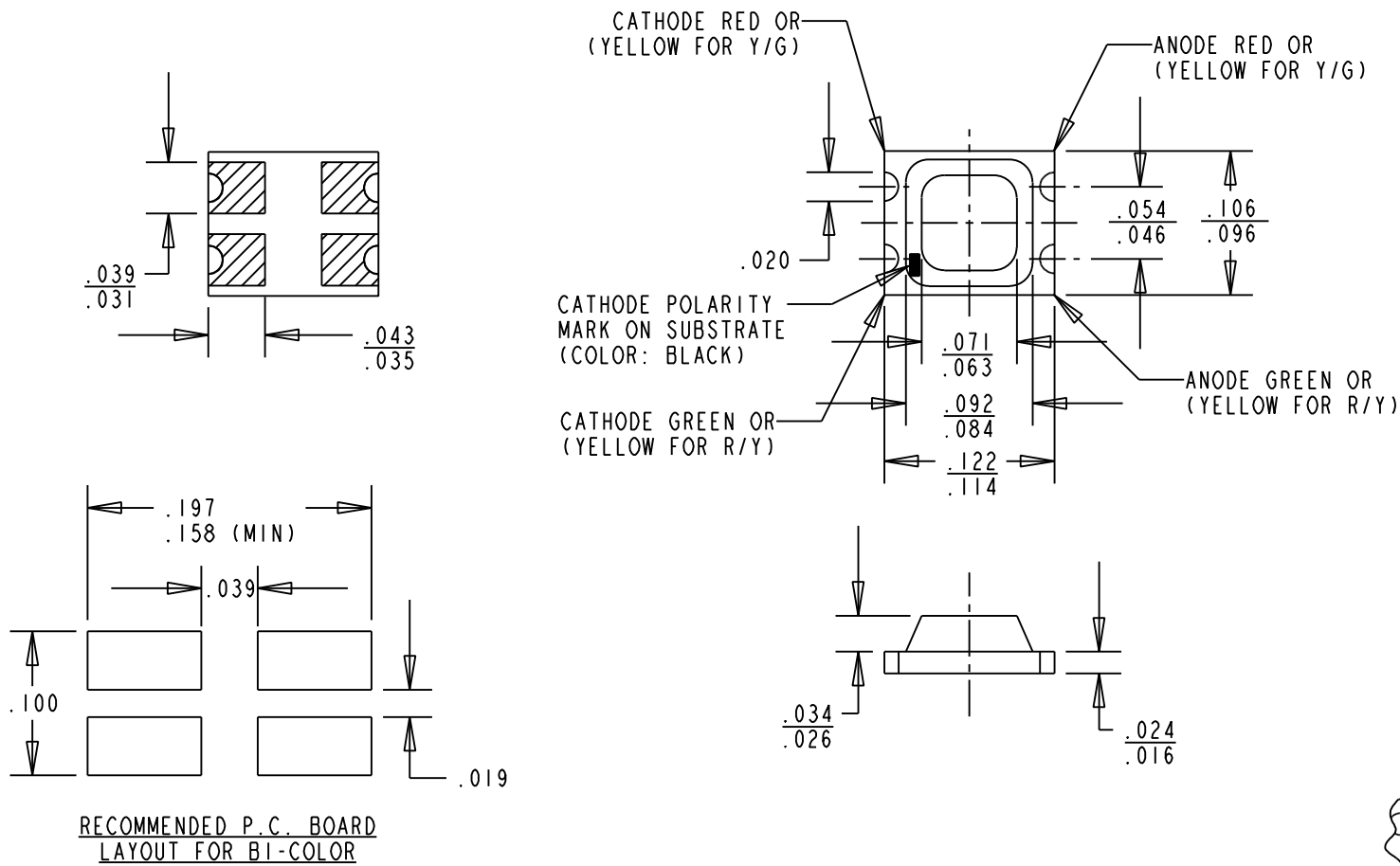
Address: A1208, Overseas Decoration Building, #122 Zhenhua RD., Futian, Shenzhen, China



DIALIGHT PART NUMBER	LED COLOR
597-7701-107	RED/GREEN BI-COLOR
597-7721-107	YELLOW/GREEN BI-COLOR
597-7731-107	RED/YELLOW BI-COLOR

OPERATING CHARACTERISTICS AT 25°C AMBIENT												
COLOR	I _F (mA)	FORWARD VOLTAGE (V)		LUMINOUS INTENSITY (mcd)			REVERSE CURRENT (μA)	DOMINANT WAVELENGTH (nm)			LIGHT EMISSION ANGLE (DEGREES)	LED CHIP
		TYP	MAX	MIN	TYP	MAX	MAX	MIN	TYP	MAX		
RED	20	2.0	2.6	4.0	10.0	15.0	10	613	620	625	170	GaAsP
GREEN	20	2.0	2.6	6.0	12.0	22.0	10	562	565	572	170	GaP
YELLOW	20	2.1	2.8	3.0	6.0	10.0	10	580	585	588	160	GaAsP

REV	ECN NO	REVISIONS	DRN	CKD	APP	DATE
D	—	UPDATED LUMINOUS INTENSITY. ADDED DOMINANT WAVELENGTH.	YIS	JMC	Y.C.	2-21-03
E	—	ADDED PRE-SOLDER TIN (Sn 98%) SILVER (Ag 2%) TO TERMINAL FINISH	TWC	AV	N.O.	9-1-05
F	—	DRAWING CORRECTION-Sn 96.5% WAS 98%; Ag 3.5% WAS 2%; UPDATED ELECTRICAL SPECS	TWC	MES	N.O.	10-19-05
G	—	REMOVED AMBER AND ULTRA-RED COLORS; REMOVED NOTE 5; UPDATED LED DIMENSIONS;	KLJ	ALV	N.O.	4-23-09



NOTES:

1. TERMINAL FINISH: TIN (Sn 96.5%), SILVER (Ag 3.5%) PRE-SOLDER APPLIED PARTIALLY AROUND THE SILVER-PALLADIUM THICK FILM PRINTED TERMINALS THAT IS FIRED ON CERAMIC BODY .
2. SOLDER ADHERANCE: EACH PAD PER MIL-STD-202E, METHOD 208C.
3. TAPE AND REEL AS PER EIA STANDARD 481-1, WITH CATHODE TOWARD SPROCKET.
4. 180 mm DIA. REEL, 8 mm TAPE, 3000/REEL. PACKAGING TO DISPLAY DIALIGHT LABEL WITH DATE CODE, QTY, & P/N. PARTS POSITIONED WITH 4 mm PITCH ON REELS.
5. DIALIGHT PART NUMBER: 597-(7701, 7721, & 7731)-107.

ABSOLUTE MAXIMUM RATING AT 25°C AMBIENT	RED	GREEN	YELLOW	UNITS
POWER DISSIPATION	65	65	70	mW
CONTINUOUS FORWARD CURRENT		25		mA
PEAK FORWARD CURRENT (10% DUTY CYCLE, T _w = 1 msec)		100		mA
DERATE LINEAR FROM 25°C		.33		mA/°C
REVERSE VOLTAGE		4		V
OPERATING TEMPERATURE		-30 TO +75		°C
STORAGE TEMPERATURE		-30 TO +85		°C
REFLOW SOLDERING TEMPERATURE (10 SEC MAX)		+240 TO +260		°C
IRON SOLDERING TEMPERATURE (5 SEC MAX)		+280 TO +320		°C

THIS DRAWING AND THE CONTENTS HEREIN ARE CONFIDENTIAL AND THE SOLE PROPERTY OF DIALIGHT. REPRODUCTION OF THIS DRAWING OR CONSTRUCTION OF ANY PARTS WITHIN THIS DRAWING ARE FORBIDDEN WITHOUT THE WRITTEN CONSENT OF DIALIGHT.		
SCALE: 8.000	DRAWING NUMBER	REV
ALL DIM'S IN: INCHES (MM)	C-15851	G
TOLERANCES: UNLESS OTHERWISE SPECIFIED	TITLE	
FRACTIONS: ±1/64	BI-COLOR SMT LED	
DECIMALS (.XX): ±.01	MATERIAL	
DECIMALS (.XXX): ±.005	Dialight	
ANGLES: ±1°	1501 ROUTE 34 SOUTH	
FINISH:	FARMINGDALE, NJ 07727	
FSCM 83330	SHEET 1 OF 1	FAMILY TABLE: