



Chipsmall Limited consists of a professional team with an average of over 10 year of expertise in the distribution of electronic components. Based in Hongkong, we have already established firm and mutual-benefit business relationships with customers from,Europe,America and south Asia,supplying obsolete and hard-to-find components to meet their specific needs.

With the principle of “Quality Parts,Customers Priority,Honest Operation,and Considerate Service”,our business mainly focus on the distribution of electronic components. Line cards we deal with include Microchip,ALPS,ROHM,Xilinx,Pulse,ON,Everlight and Freescale. Main products comprise IC,Modules,Potentiometer,IC Socket,Relay,Connector.Our parts cover such applications as commercial,industrial, and automotives areas.

We are looking forward to setting up business relationship with you and hope to provide you with the best service and solution. Let us make a better world for our industry!



## Contact us

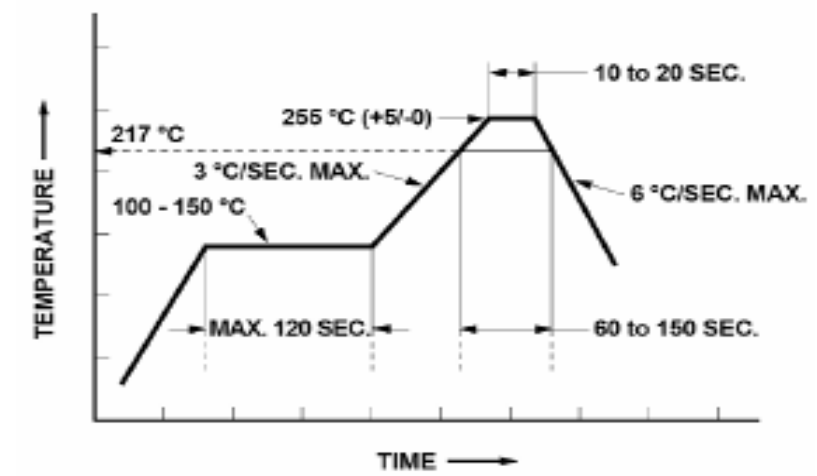
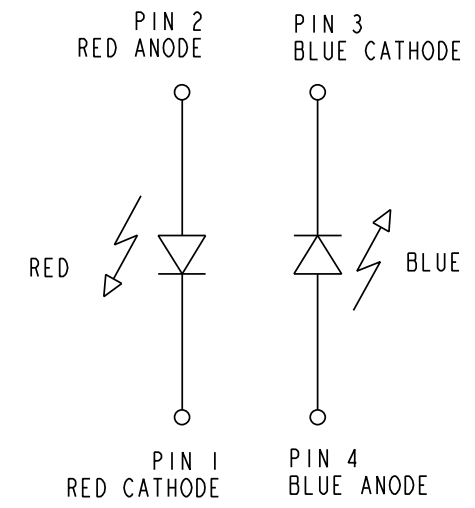
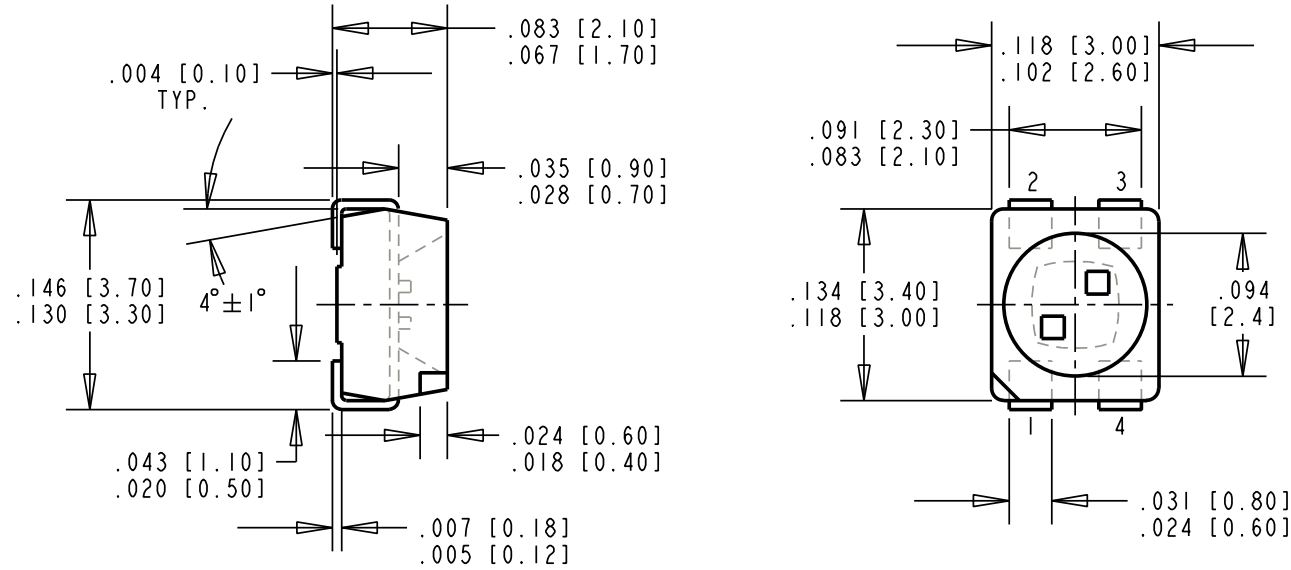
Tel: +86-755-8981 8866 Fax: +86-755-8427 6832

Email & Skype: info@chipsmall.com Web: www.chipsmall.com

Address: A1208, Overseas Decoration Building, #122 Zhenhua RD., Futian, Shenzhen, China

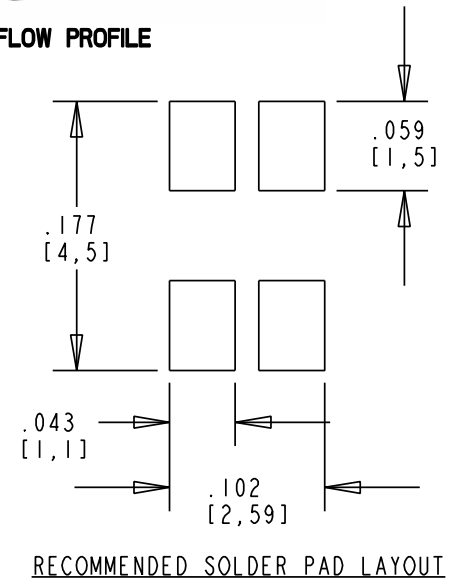


REV	ECN NO	REVISIONS	DRN	CKD	APP	DATE
A		NEW RELEASE	TWC			



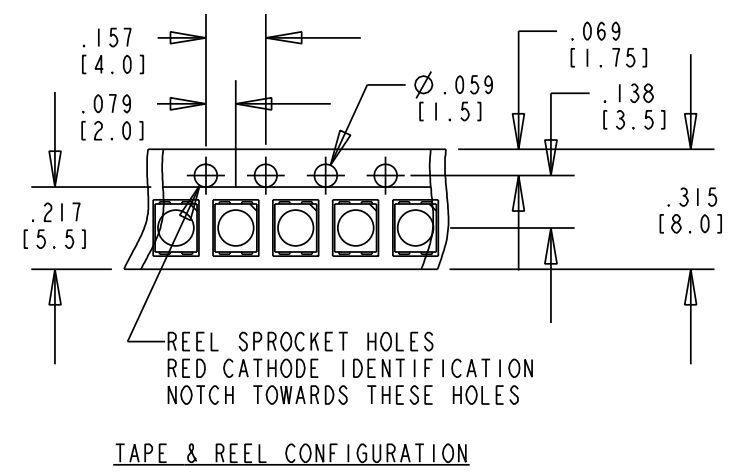
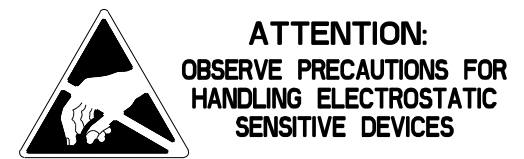
NOTE:

- EPOXY COLOR: COLORLESS CLEAR.
- DIE: AlInGaP RED AND GaN BLUE.
- LEAD FINISH: TIN (Sn).
- SOLDER ADHERANCE: BOTH LEADS PER MIL-STD-202E, METHOD 208C.
- PART TAPED AND REELED PER EIA-RS-481-1.
- SUFFIX -302F FOR 20 PCS ON A SAMPLE TAPE STRIP.
- SUFFIX -307F FOR 7" DIAMETER REEL, PACKAGED 2000 PCS PER REEL.
- LABELING FOR REEL AND OUTSIDE OF ALUMINUM FOIL BAG: DIALIGHT P/N, R/B BI-COLOR, QUANTITY PER REEL, DATE CODE, INTENSITY BIN CODE, LOT NUMBER AND COUNTRY OF ORIGIN, RoHS COMPLIANT LABEL.
- TAPE AND REEL LEDS MAY REQUIRE RE-TAPING AFTER TWELVE MONTHS.
- THIS ASSEMBLY CONTAINS ELECTROSTATIC DISCHARGE SENSITIVE DEVICES (ESDS). MAINTAIN ALL PRECAUTIONARY MEASURES DURING ASSEMBLY, HANDLING AND STORAGE IN ACCORDANCE WITH IPC-A-610.
- DIALIGHT P/N: 597-7781-307F, -302F.



OPERATING CHARACTERISTICS AT 25°C AMBIENT						
CHARACTERISTICS	COLOR	MIN	TYP	MAX	UNITS	TEST CONDITIONS
LUMINOUS INTENSITY	AllnGaP RED	40	80		mcd	I <sub>F</sub> = 20 mA
	GaN BLUE	5.0	10			
FORWARD VOLTAGE	AllnGaP RED		1.9	2.4	V	I <sub>F</sub> = 20 mA
	GaN BLUE		4.0	4.1		
REVERSE CURRENT	AllnGaP RED		100		μA	V <sub>R</sub> = 5 V
	GaN BLUE		10			V <sub>R</sub> = 5 V
DOMINANT WAVELENGTH	AllnGaP RED	621	626	632	nm	I <sub>F</sub> = 20 mA
	GaN BLUE	460	470	475		
PEAK EMISSION WAVELENGTH	AllnGaP RED		635		nm	I <sub>F</sub> = 20 mA
	GaN BLUE		468			
VIEWING ANGLE 2 θ 1/2	AllnGaP RED		120		Degree	
	GaN BLUE		120			

ABSOLUTE MAXIMUM RATING AT 25°C AMBIENT			
	AllnGaP RED	GaN BLUE	UNITS
POWER DISSIPATION	72	120	mW
PEAK FORWARD CURRENT (DUTY FACTOR 10%, FREQ. = 1KHz)	100	100	mA
FORWARD CURRENT (DERATE FROM 80°C 1mA/°C) FOR RED (DERATE FROM 70°C 0.5mA/°C) FOR BLUE	30	20	mA
REVERSE VOLTAGE	5	5	V
LEAD SOLDERING TEMPERATURE FOR 10-20 SEC.	260	260	°C
OPERATING TEMPERATURE	-55 TO +100	-55 TO +100	°C
STORAGE TEMPERATURE	-55 TO +100	-55 TO +100	°C



**RoHS Compliant 597-7781-30XF Surface Mount LED**

Part Numbers with the "F" suffix ending are RoHS Compliant.  
Example: 597-7781-307F  
Packaging is marked with "RoHS Compliant" label or equivalent markings.  
Parts can be reflow soldered per RoHS reflow profile, wave soldered, dip soldered or hand soldered using typical lead-free soldering process with max 260°C temp. for 10-20 sec.

THIS DRAWING AND THE CONTENTS HEREIN ARE CONFIDENTIAL AND THE SOLE PROPERTY OF DIALIGHT. REPRODUCTION OF THIS DRAWING OR CONSTRUCTION OF ANY PARTS WITHIN THIS DRAWING ARE FORBIDDEN WITHOUT THE WRITTEN CONSENT OF DIALIGHT.		
SCALE: DRAWING SCALE ALL DIM'S IN: INCHES (MM)	DRAWING NUMBER C-17413	REV A
TOLERANCES: UNLESS OTHERWISE SPECIFIED	TITLE RED/BLUE BI-COLOR PLCC-4 LED RoHS COMPLIANT	
FRACTIONS: ±1/64 DECIMALS (.XX): ±.01 DECIMALS (.XXX): ±.005 DECIMALS (.XXXX): ±.0005 ANGLES: ±1°	MATERIAL	
FINISH:	Dialight 1501 ROUTE 34 SOUTH FARMINGDALE, NJ 07727	
FSCM 83330	SHEET 1 OF 1 FAMILY TABLE:	