



Chipsmall Limited consists of a professional team with an average of over 10 year of expertise in the distribution of electronic components. Based in Hongkong, we have already established firm and mutual-benefit business relationships with customers from,Europe,America and south Asia,supplying obsolete and hard-to-find components to meet their specific needs.

With the principle of “Quality Parts,Customers Priority,Honest Operation,and Considerate Service”,our business mainly focus on the distribution of electronic components. Line cards we deal with include Microchip,ALPS,ROHM,Xilinx,Pulse,ON,Everlight and Freescale. Main products comprise IC,Modules,Potentiometer,IC Socket,Relay,Connector.Our parts cover such applications as commercial,industrial, and automotives areas.

We are looking forward to setting up business relationship with you and hope to provide you with the best service and solution. Let us make a better world for our industry!



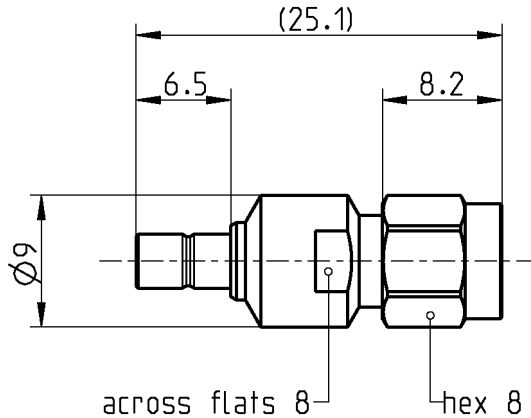
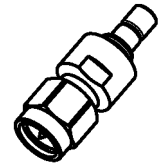
Contact us

Tel: +86-755-8981 8866 Fax: +86-755-8427 6832

Email & Skype: info@chipsmall.com Web: www.chipsmall.com

Address: A1208, Overseas Decoration Building, #122 Zhenhua RD., Futian, Shenzhen, China





All dimensions are in mm; tolerances according to ISO 2768 m-H

Interface

According to SMB side: IEC 60169-10, CECC 22130, US MIL-C-39012
 SMA side: IEC 60169-15; EN 122110; MIL-STD-348A, Fig. 310

Documents

N/A

Material and plating

Connector parts

	Material	Plating
Center contact	Beryllium copper	AuroDur. gold plated
Outer contact SMB side	Brass	AuroDur. gold plated
Outer contact SMA side	Beryllium copper	AuroDur. gold plated
Body	Beryllium copper	AuroDur. gold plated
Dielectric	PTFE	
Gasket	Silicone	
Coupling nut SMA side	Brass	Gold, 0.1 µm min.

ADAPTOR
SMB PLUG – SMA PLUG**59S132-S00L5****Electrical data**

Impedance	50 Ω	
Frequency	DC to 4 GHz	
Return loss	≥ 35 dB, DC to 1 GHz	
	≥ 27 dB, 1 to 4 GHz	
Insertion loss	$\leq 0.05 \times \sqrt{f(\text{GHz})}$ dB	
Insulation resistance	$\geq 1 \times 10^3$ M Ω	
Center contact resistance	≤ 5 m Ω , SMB side	≤ 3 m Ω , SMA side
Outer contact resistance	≤ 2.5 m Ω , SMB side	≤ 2 m Ω , SMA side
Test voltage	750 V rms, 50 Hz, at sea level	
Working voltage	≤ 250 V rms, 50 Hz, at sea level	
Contact current	1.5 A DC typ.	
RF-leakage	≥ 55 dB up to 1 GHz	

Mechanical data

	SMB side	SMA side
Mating cycles	min. 500	min. 500
Coupling nut retention	N/A	≥ 180 N
Coupling test torque	N/A	max. 0.6 Nm
Recommended torque	N/A	0.5 Nm
Center contact captivation: axial	≥ 10 N	≥ 10 N
Engagement force	≤ 63 N	N/A
Disengagement force	8 N min. to 63 N max.	N/A

Environmental data

Temperature range	-55°C to +155°C
Thermal shock	MIL-STD-202, Meth. 107, Cond. B
Vibration	MIL-STD-202, Meth. 204, Cond. B
Corrosion	MIL-STD-202, Meth. 101, Cond. B
Moisture resistance	MIL-STD-202, Meth. 106
RoHS	compliant

Tooling

N/A

Suitable cables

N/A

Weight

Weight 5.9 g/pce

While the information has been carefully compiled to the best of our knowledge, nothing is intended as representation or warranty on our part and no statement herein shall be construed as recommendation to infringe existing patents. In the effort to improve our products, we reserve the right to make changes judged to be necessary.

Draft	Date	Approved	Date	Rev.	Engineering change number	Name	Date
Inge Mühlauer	14/12/04	Sa. Krautenbacher	20.03.14	e00	14-0352	T. Krojer	20.03.14
Rosenberger Hochfrequenztechnik GmbH & Co. KG P.O.Box 1260 D-84526 Tittmoning Germany www.rosenberger.de					Tel.: +49 8684 18-0 Fax: +49 8684 18-499 email: info@rosenberger.de		Page 2 / 2