



Chipsmall Limited consists of a professional team with an average of over 10 year of expertise in the distribution of electronic components. Based in Hongkong, we have already established firm and mutual-benefit business relationships with customers from,Europe,America and south Asia,supplying obsolete and hard-to-find components to meet their specific needs.

With the principle of "Quality Parts,Customers Priority,Honest Operation,and Considerate Service",our business mainly focus on the distribution of electronic components. Line cards we deal with include Microchip,ALPS,ROHM,Xilinx,Pulse,ON,Everlight and Freescale. Main products comprise IC,Modules,Potentiometer,IC Socket,Relay,Connector.Our parts cover such applications as commercial,industrial, and automotives areas.

We are looking forward to setting up business relationship with you and hope to provide you with the best service and solution. Let us make a better world for our industry!



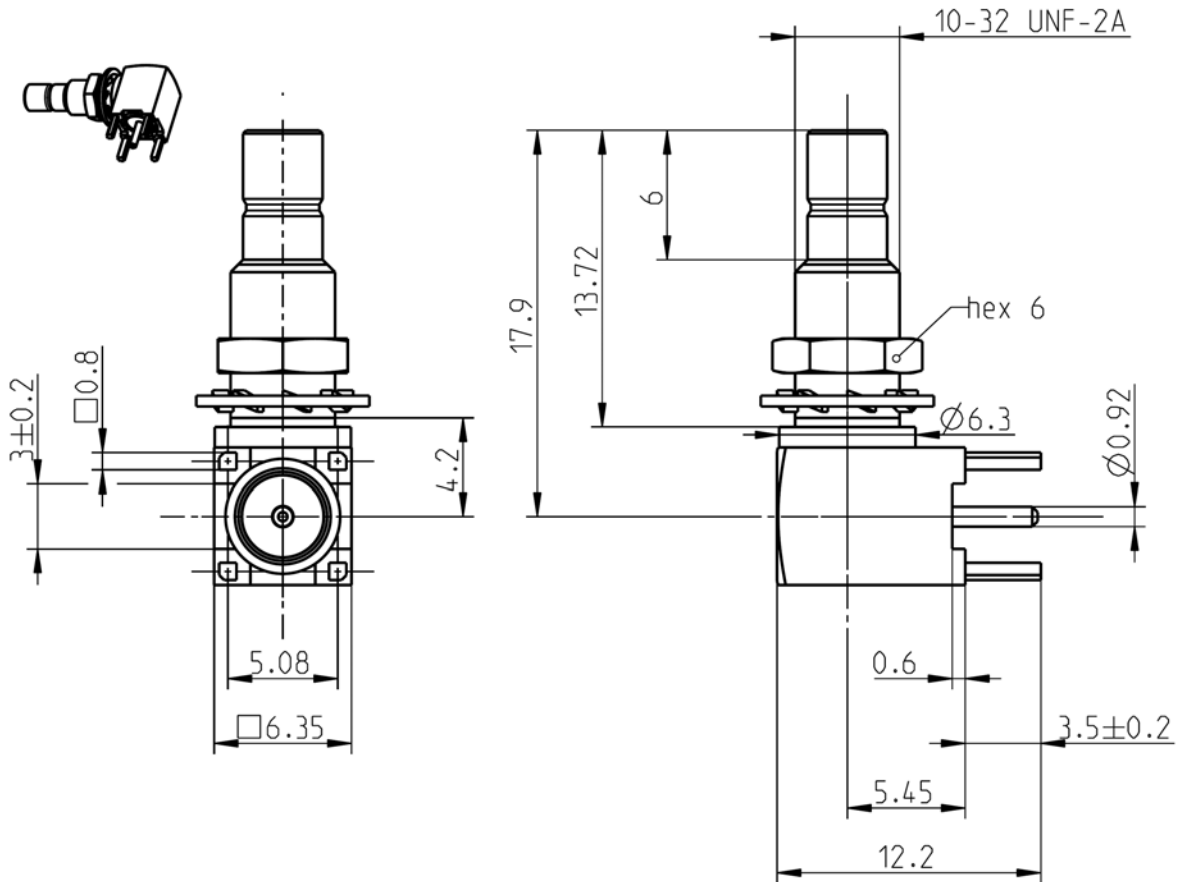
## Contact us

Tel: +86-755-8981 8866 Fax: +86-755-8427 6832

Email & Skype: info@chipsmall.com Web: www.chipsmall.com

Address: A1208, Overseas Decoration Building, #122 Zhenhua RD., Futian, Shenzhen, China





All dimensions are in mm; tolerances according to ISO 2768 m-H

**Interface**

According to

IEC 60169-10, CECC 22130, MIL-PRF-39012

**Documents**

Panel piercing / PCB layout

B 30 / B 54

**Material and plating**

**Connector parts**

- Center contact
- Outer contact
- Body
- Dielectric

**Material**

- Brass
- Brass
- Brass
- PTFE

**Plating**

- AuroDur®, gold plated
- AuroDur®, gold plated
- Gold, 0.1 µm min.

Dieses Dokument ist urheberrechtlich geschützt • This document is protected by copyright • Rosenberger Hochfrequenztechnik GmbH & Co. KG

RF\_35/05.10/6.0

**Electrical data**

Impedance	50 Ω
Frequency	DC to 4 GHz
Return loss	≥ 25 dB @ DC to 1 GHz ≥ 20 dB @ 1 GHz to 3 GHz ≥ 18 dB @ 3 GHz to 4 GHz
Insertion loss	≤ 0.1 x √f [GHz] dB
Insulation resistance	≥ 1 GΩ
Center contact resistance	≤ 5 mΩ
Outer contact resistance	≤ 2.5 mΩ
Test voltage (at sea level)	750 V rms
Working voltage (at sea level)	250 V rms
Contact current	≤ 1.5 A DC
RF-leakage	≥ 55 dB @ DC to 1 GHz

- Connector only, VSWR in application depends decisive on PCB layout

**Mechanical data**

Mating cycles	≥ 500
Center contact captivation: axial	≥ 10 N
Engagement force	≤ 63 N
Disengagement force	8 N to 63 N

**Environmental data**

Temperature range	-55 °C to +155 °C
Thermal shock	MIL-STD-202, Method 107, Condition B
Vibration	MIL-STD-202, Method 204, Condition B
Corrosion	MIL-STD-202, Method 101, Condition B
Moisture resistance	MIL-STD-202, Method 106
Max. soldering temperature	IEC 61760-1, +260 °C for 10 sec.
RoHS	compliant

**Tooling**

N/A

**Suitable cables**

N/A

**Weight**

Weight 3.4 g/pce

While the information has been carefully compiled to the best of our knowledge, nothing is intended as representation or warranty on our part and no statement herein shall be construed as recommendation to infringe existing patents. In the effort to improve our products, we reserve the right to make changes judged to be necessary.

Draft	Date	Approved	Date	Rev.	Engineering change number	Name	Date
Inge Mühlauer	07/12/04	Sa. Krautenbacher	20.03.14	d00	14-0352	T. Krojer	20.03.14
Rosenberger Hochfrequenztechnik GmbH & Co. KG P.O.Box 1260 D-84526 Tittmoning Germany <a href="http://www.rosenberger.de">www.rosenberger.de</a>					Tel. : +49 8684 18-0 Fax : +49 8684 18-499 Email : <a href="mailto:info@rosenberger.de">info@rosenberger.de</a>		Page 2 / 2