



Chipsmall Limited consists of a professional team with an average of over 10 year of expertise in the distribution of electronic components. Based in Hongkong, we have already established firm and mutual-benefit business relationships with customers from,Europe,America and south Asia,supplying obsolete and hard-to-find components to meet their specific needs.

With the principle of “Quality Parts,Customers Priority,Honest Operation,and Considerate Service”,our business mainly focus on the distribution of electronic components. Line cards we deal with include Microchip,ALPS,ROHM,Xilinx,Pulse,ON,Everlight and Freescale. Main products comprise IC,Modules,Potentiometer,IC Socket,Relay,Connector.Our parts cover such applications as commercial,industrial, and automotives areas.

We are looking forward to setting up business relationship with you and hope to provide you with the best service and solution. Let us make a better world for our industry!



Contact us

Tel: +86-755-8981 8866 Fax: +86-755-8427 6832

Email & Skype: info@chipsmall.com Web: www.chipsmall.com

Address: A1208, Overseas Decoration Building, #122 Zhenhua RD., Futian, Shenzhen, China





defining a degree of excellence

5HFD0903

Type 5HF / 5HFP

5 x 20mm Ceramic Tube

Quick-acting Fuse Series (High-Breaking Capacity)



Electrical Characteristics (IEC-127-2 STANDARD SHEET 1)

Rated Current	1.5 In		2.1 In		2.75 In		4 In		10 In
	MIN	MAX	MIN	MAX	MIN	MAX	MIN	MAX	MAX
100mA to 3.15A	1	30	10	2	3	300	20		
4A and above	1	30	10	3	3	300	20		
	hr.	min.	ms	sec	ms	ms	ms		

Approvals



Safety Agency Approvals	Amp range / Volt @ I.R.ability
Certificate No. 9351184; 9431177 Licence No. 40000506 Certificate No. E1262	1A - 6.3A / 250V AC@ 1,500A
Recognized File No. E20624 Acceptance File No. LR39772	100mA -10A / 250V AC@ 1,500A
File No. JET1037-31003-1004, JET1037-31003-1005	1A - 5A / 250V AC@ 1,500A
Licence No. 2002010207021529	100mA - 10A / 250V AC@ 1,500A

Operating Temperature

-55°C to +125°C

Physical Specification

Materials

Ceramic body / Nickel Plated Brass Caps

Lead wire:

- Tin-lead plated Copper,
- Diameter 0.032", 6.3A and less
- Diameter 0.040", 8A and above

Marking

On fuse:

"bel", "F", "Current Rating", "H", "250V", and "Appropriate Safety Logos"

On label:

Above info plus "5HF" or "5HFP", "CE" and interrupting rating

Packaging

1. In bulk:

5HF - 1,000 pcs per box; 5HFP - 500 pcs per box

2. On Axial Tape & Reel:

1,500 pcs per reel

3. Tape & Reel specification:

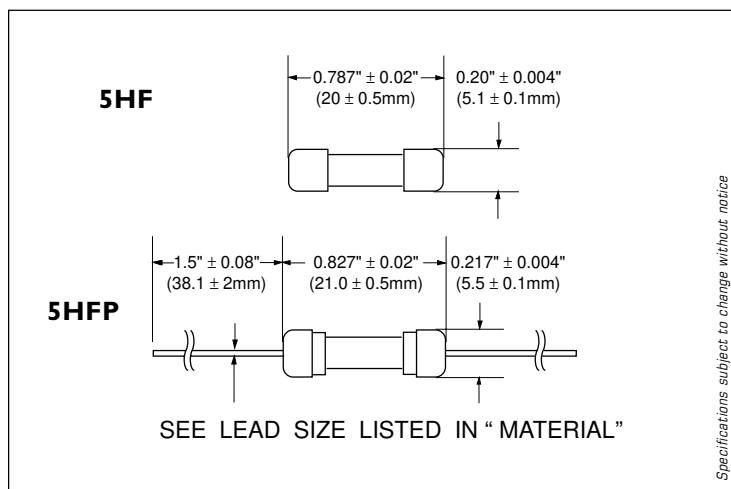
per EIA-296-E & IEC 286-1

@ 10mm Pitch and 63.5mm inside Tape Spacing

Catalog Number	Ampere Rating	Typical Cold Resistance (ohm)	Volt-drop @100% In (Volt) max.	Melting I ² T < 10 mSec (A ² Sec)	Melting I ² T @10 In (A ² Sec)	Maximum Power Dissipation (W)
5HF (P) 100	100mA	3.85	0.56	0.003	0.002	0.30
5HF (P) 125	125mA	2.78	0.54	0.005	0.004	0.36
5HF (P) 160	160mA	2.01	0.52	0.009	0.008	0.43
5HF (P) 200	200mA	1.45	0.50	0.016	0.014	0.52
5HF (P) 250	250mA	1.05	0.48	0.028	0.026	0.63
5HF (P) 315	315mA	0.76	0.46	0.051	0.046	0.76
5HF (P) 400	400mA	0.55	0.44	0.091	0.084	0.92
5HF (P) 500	500mA	0.40	0.43	0.16	0.15	1.11
5HF (P) 630	630mA	0.29	0.41	0.29	0.27	1.35
5HF (P) 800	800mA	0.21	0.20	0.36	0.35	0.58
5HF (P) 1	1A	0.15	0.18	0.65	0.63	0.69
5HF (P) 1.25	1.25A	0.11	0.17	1.17	1.15	0.81
5HF (P) 1.6	1.6A	0.08	0.16	2.10	2.07	0.96
5HF (P) 2	2A	0.06	0.15	3.8	3.7	1.1
5HF (P) 2.5	2.5A	0.04	0.14	6.8	6.8	1.3
5HF (P) 3.15	3.15A	0.031	0.14	12.2	12.3	1.6
5HF (P) 4	4A	0.023	0.13	22	22	1.9
5HF (P) 5	5A	0.016	0.12	39	40	2.2
5HF (P) 6.3	6.3A	0.012	0.113	70	73	2.7
5HF (P) 8	8A	0.009	0.106	126	131	3.1
5HF (P) 10	10A	0.006	0.100	227	238	3.7

Consult manufacturer for other ratings

Mechanical Dimensions



Specifications subject to change without notice

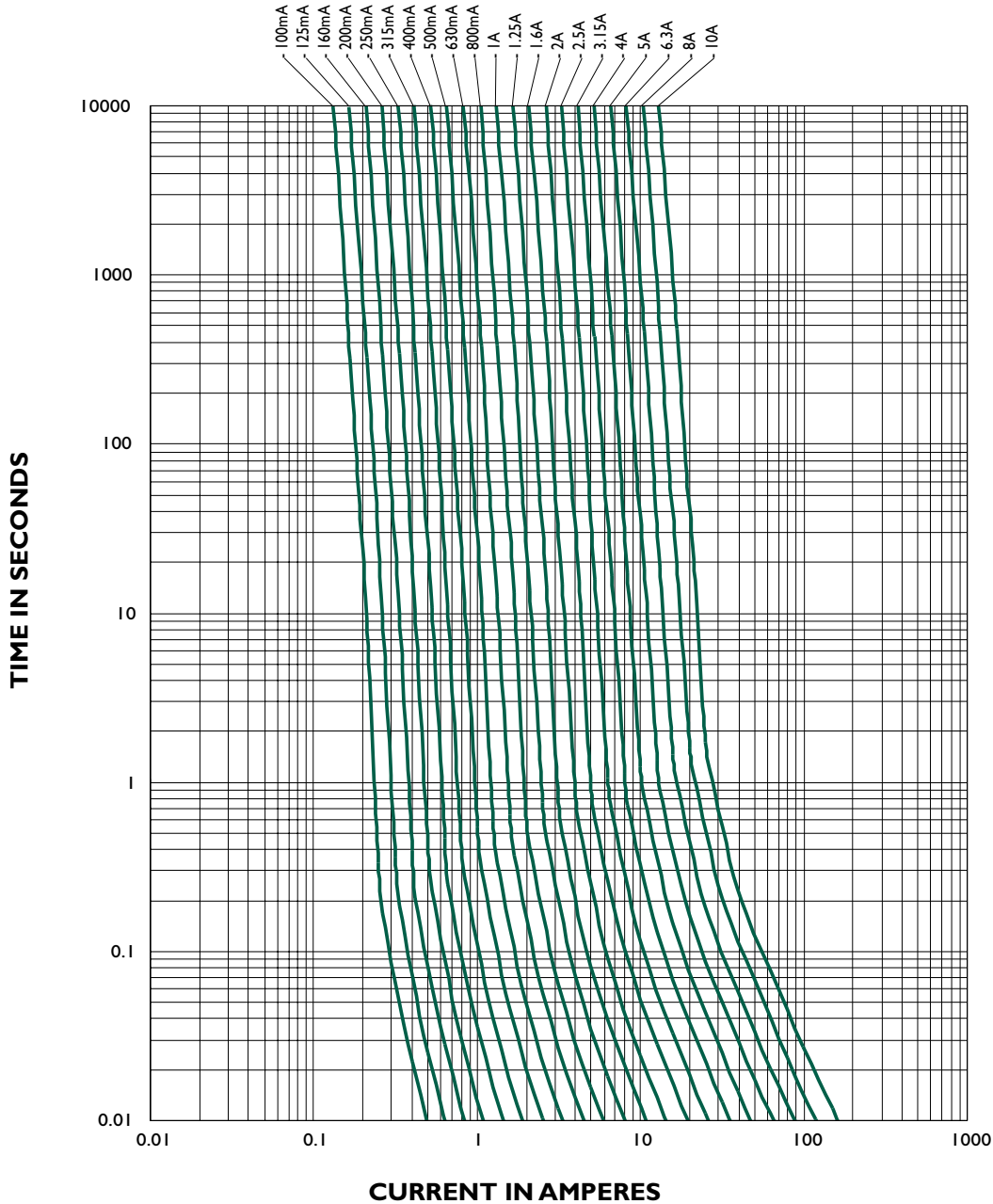
ORDERING INFORMATION SEE PAGES 67 & 68

Type 5HF / 5HFP
Quick-acting Fuse Series (High-Breaking Capacity)

5 x 20mm Ceramic Tube

5HFC0801

5HF / 5HFP - TIME CURRENT CHARACTERISTIC CURVE



Specifications subject to change without notice

NOTE - see important information under "User Guide" on P.08

Corporate Office
Bel Fuse Inc.
 206 Van Vorst Street, Jersey City, NJ 07302
 Tel: 201-432-0463
 Fax: 201-432-9542
 E-Mail: belfuse@belfuse.com
 Website: www.belfuse.com

Far East Office
Bel Fuse Ltd.
 8F/8 Luk Hop Street
 San Po Kong
 Kowloon, Hong Kong
 Tel: 852-2328-5515
 Fax: 852-2352-3706

European Office
Bel Fuse Europe Ltd.
 Preston Technology Management Centre
 Marsh Lane, Preston PR1 8UD
 Lancashire, U.K
 Tel: 44-1772-556601
 Fax: 44-1772-888366