



Chipsmall Limited consists of a professional team with an average of over 10 year of expertise in the distribution of electronic components. Based in Hongkong, we have already established firm and mutual-benefit business relationships with customers from,Europe,America and south Asia,supplying obsolete and hard-to-find components to meet their specific needs.

With the principle of “Quality Parts,Customers Priority,Honest Operation,and Considerate Service”,our business mainly focus on the distribution of electronic components. Line cards we deal with include Microchip,ALPS,ROHM,Xilinx,Pulse,ON,Everlight and Freescale. Main products comprise IC,Modules,Potentiometer,IC Socket,Relay,Connector.Our parts cover such applications as commercial,industrial, and automotives areas.

We are looking forward to setting up business relationship with you and hope to provide you with the best service and solution. Let us make a better world for our industry!



## Contact us

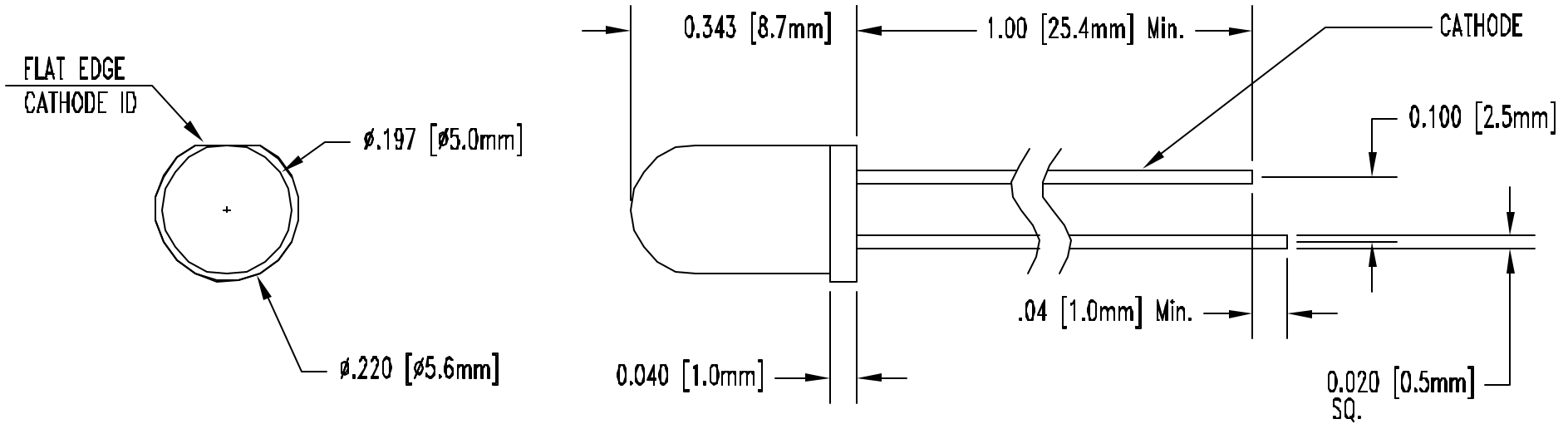
Tel: +86-755-8981 8866 Fax: +86-755-8427 6832

Email & Skype: info@chipsmall.com Web: www.chipsmall.com

Address: A1208, Overseas Decoration Building, #122 Zhenhua RD., Futian, Shenzhen, China



REV	DESCRIPTION	DATE	APPROVED
A	ENGINEERING RELEASE	11/22/02	MC



LED PART NO.	Chip		LENS APPEARANCE	Absolute Maximum Ratings				Electro-Optical Data @ 100mA				Viewing Angle (Deg)		
	MATERIAL	PEAK WAVE $\lambda P$ (nm)		$\Delta \lambda$ (nm)	pd (mW)	If (mA)	Peak If (mA)	Vf (V)		Radiant Power @ mW/cm <sup>2</sup>			Tr (ns)	Tf (ns)
								Typ.	Max.	Min.	Typ.			
SIRC-940-F	GaAs/GaAs	940	WATER CLEAR	50	150	50	250	1.4	1.6	7.0	13.0	500	200	15


### ABSOLUTE MAXIMUM RATINGS ( $T_a = 25^\circ \text{C}$ )

PEAK FORWARD CURRENT \_\_\_\_\_ PULSE WIDTH=10 $\mu$ s  
10% DUTY CYCLE

OPERATING TEMPERATURE RANGE \_\_\_\_\_  $-45^\circ \text{C} \sim 85^\circ \text{C}$

STORAGE TEMPERATURE \_\_\_\_\_  $-45^\circ \text{C} \sim 100^\circ \text{C}$

LEAD SOLDERING TEMPERATURE(1/16" FROM BODY) \_\_\_\_\_  $250^\circ \text{C}$  FOR 5 SECONDS

UNLESS OTHERWISE SPECIFIED: DIMENSIONS ARE IN INCHES TOLERANCES		 <b>4 THOMAS, IRVINE, CA.92618</b> TEL: (949) 951-8808 FAX: (949) 951-3074				
DECIMALS	ANGULAR					
.X $\pm .1$	X' $\pm 1'$	<b>PART NAME:</b> <b>T-1 3/4 (5mm) Infrared ED, Transmitter</b>				
.XX $\pm .01$						
.XXX $\pm .005$		DESIGNER <b>Michael Chen</b>	DATE <b>11/22/02</b>	SIZE <b>A</b>	DWG NO. <b>SIRC-940-F</b>	REV <b>A</b>
CHECKER <b>D. Green</b>		DATE <b>11/22/02</b>	SCALE <b>4=1</b>	CAGE CODE <b>32559</b>	SHEET 1 OF 1	