



Chipsmall Limited consists of a professional team with an average of over 10 year of expertise in the distribution of electronic components. Based in Hongkong, we have already established firm and mutual-benefit business relationships with customers from,Europe,America and south Asia,supplying obsolete and hard-to-find components to meet their specific needs.

With the principle of "Quality Parts,Customers Priority,Honest Operation,and Considerate Service",our business mainly focus on the distribution of electronic components. Line cards we deal with include Microchip,ALPS,ROHM,Xilinx,Pulse,ON,Everlight and Freescale. Main products comprise IC,Modules,Potentiometer,IC Socket,Relay,Connector.Our parts cover such applications as commercial,industrial, and automotives areas.

We are looking forward to setting up business relationship with you and hope to provide you with the best service and solution. Let us make a better world for our industry!



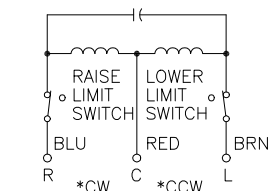
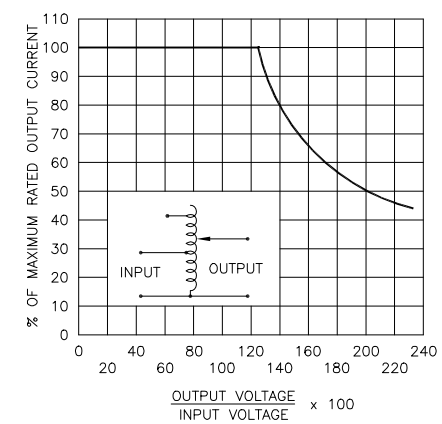
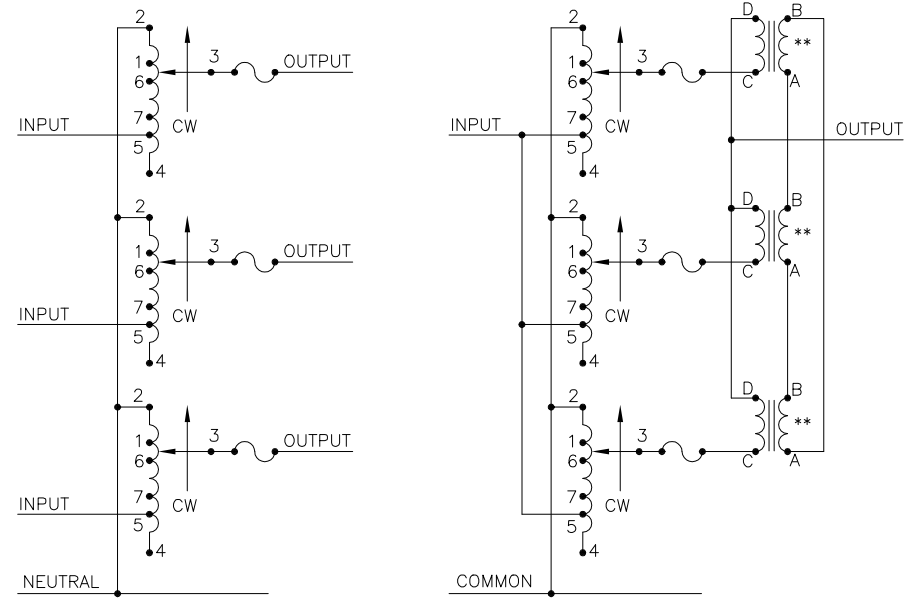
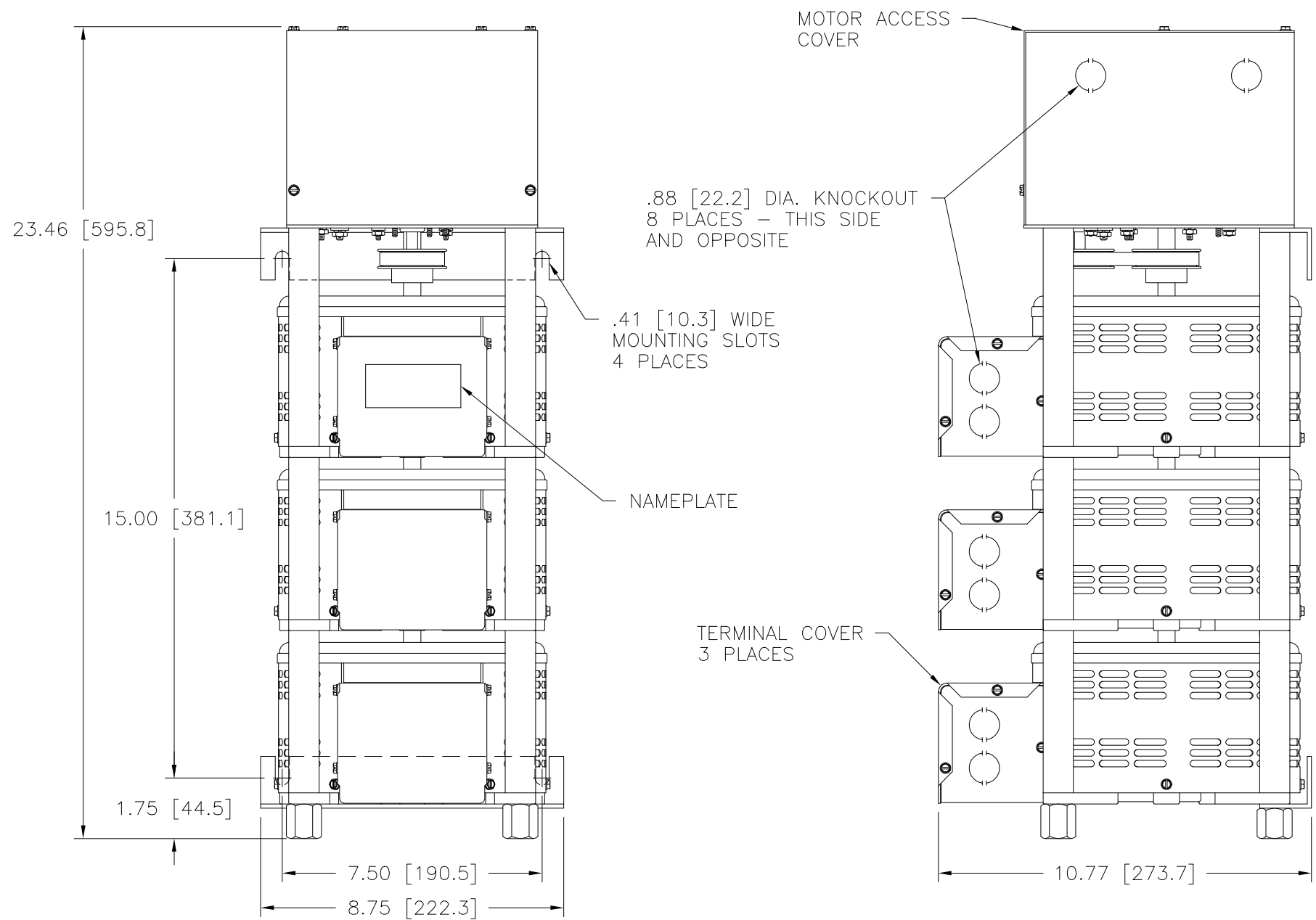
Contact us

Tel: +86-755-8981 8866 Fax: +86-755-8427 6832

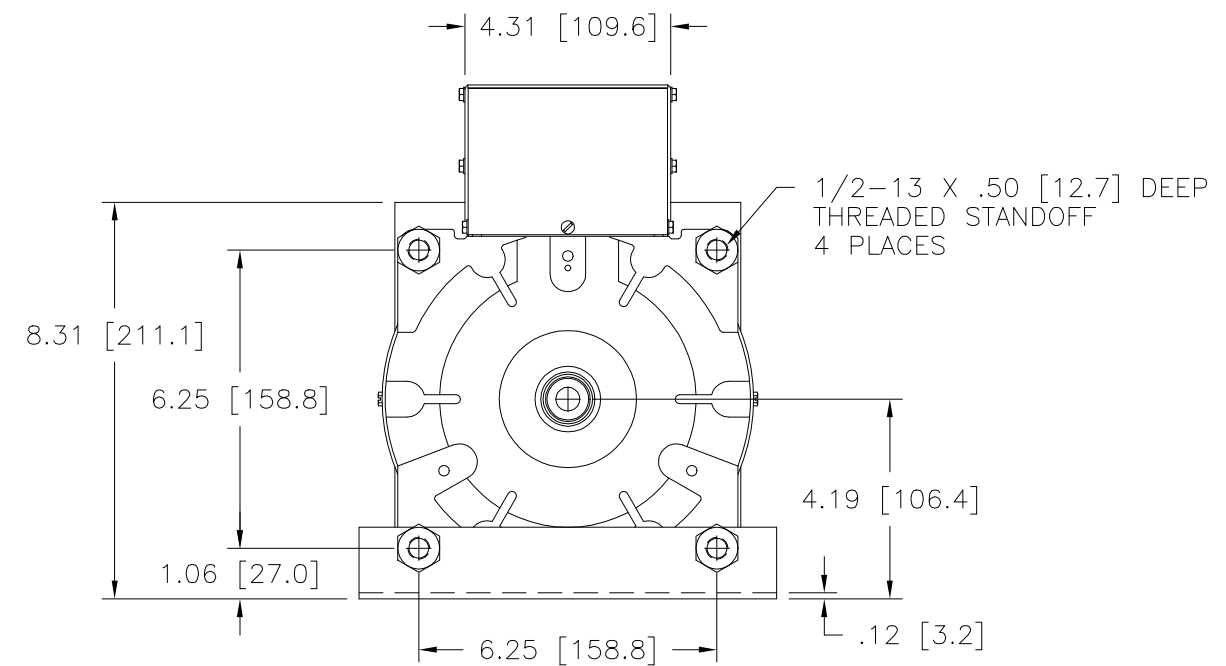
Email & Skype: info@chipsmall.com Web: www.chipsmall.com

Address: A1208, Overseas Decoration Building, #122 Zhenhua RD., Futian, Shenzhen, China





SPEED (SECONDS)	MODEL NUMBER
5	5M2520CT-3
15	15M2520CT-3
30	30M2520CT-3
60	60M2520CT-3



MAXIMUM OUTPUT CURRENT IN OUTPUT VOLTAGE RANGE FROM 0 TO 25% ABOVE LINE VOLTAGE. AT HIGHER OUTPUT VOLTAGES, THE OUTPUT CURRENT MUST BE REDUCED ACCORDING TO THE DERATING CURVE FIGURE A.

§ MAXIMUM KVA AT MAXIMUM OUTPUT VOLTAGE AND CORRESPONDING DERATED OUTPUT CURRENT. MAXIMUM KVA FOR LOWER VOLTAGES MAY BE CALCULATED FROM DERATING CURVE FIGURE A.

++ LINE TO LINE VOLTAGE.

** REQUIRES THREE 52LAC PARALLELING CHOKE (NOT SUPPLIED).

∏ IF GANGED UNITS ARE USED IN A SYSTEM THAT ORDINARILY HAS A COMMON NEUTRAL OR GROUND BETWEEN SOURCE AND LOAD, THE NEUTRAL OR GROUND MUST BE CONNECTED TO THE COMMON TERMINALS OF THE VARIABLE TRANSFORMER ASSEMBLY. IF THE SYSTEM HAS NO NEUTRAL, THE LOAD MUST BE BALANCED OR THE TRANSFORMER WILL BE DAMAGED.

■ JUMPER PROVIDED IN STANDARD COMMON POSITION AND SHOULD BE MOVED OR REMOVED AS REQUIRED.

+ MOTOR DRIVEN UNITS USE TERMINAL CONNECTIONS FOR CCW INCREASING VOLTAGE, AS VIEWED FROM THE BASE END.

SPECIFICATIONS											
WIRING	INPUT		OUTPUT				SHAFT ROTATION TO INCREASE VOLTAGE	TERMINAL CONNECTIONS +			
	VOLTS	HERTZ	VOLTS	CONSTANT CURRENT LOAD	CONSTANT IMPEDANCE LOAD	FOR INCREASING VOLTAGE AS VIEWED FROM BASE END ■					
				MAX. AMPS	MAX. KVA	MAX. AMPS	MAX. KVA	INPUT	JUMPER	OUTPUT	
SINGLE PHASE PARALLEL **	240	50/60	0-240	30	7.20	39	9.30	CW	2-2-2, 4-4-4	—	4-D
			0-280	30	8.40	—	—	CCW	2-2-2, 4-4-4	—	2-D
	120	50/60	0-280	30#	3.60 §	—	—	CW	1-1-1, 4-4-4	—	4-D
			0-280	30#	3.60 §	—	—	CCW	5-5-5, 2-2-2	—	2-D
THREE PHASE WYE ∏	480	50/60	0-480	10	8.30	13	10.81	CW	2-2-2	4-4-4	3-3-3
			0-560	10	9.70	—	—	CCW	4-4-4	2-2-2	3-3-3
	240	60	0-480	10	8.30	13	10.81	CW	1-1-1	4-4-4	3-3-3
			0-560	10#	4.20 §	—	—	CCW	5-5-5	2-2-2	3-3-3

UNLESS OTHERWISE SPECIFIED, TOLERANCE IS * DECIMALS Holes ANGLES DRAFT XX .0005 .01 1° 1-1/2°

MATERIAL: ALL DIMENSIONS APPLY AFTER PLATING

UNITS IN [mm]

TITLE: SPEC. CONTROL DRAWING VARIABLE TRANSFORMER MODEL: M2520CT-3

STACO ENERGY PRODUCTS CO. A COMPONENTS CORPORATION OF AMERICA COMPANY DAYTON, OHIO U.S.A.

DRAWN BY S.A. SMITH DATE 12/22/98 FIRST USED ON DO NOT SCALE DWG. CUSTOMER APPROVAL DATE

CHECKER DATE WEIGHT APPROX. 78 LBS CODE IDENT. NO. 83008 DWG. NO. 031-5825

ENGINEER DATE SCALE .50=1 SHEET 1 OF 1