



Chipsmall Limited consists of a professional team with an average of over 10 year of expertise in the distribution of electronic components. Based in Hongkong, we have already established firm and mutual-benefit business relationships with customers from,Europe,America and south Asia,supplying obsolete and hard-to-find components to meet their specific needs.

With the principle of "Quality Parts,Customers Priority,Honest Operation,and Considerate Service",our business mainly focus on the distribution of electronic components. Line cards we deal with include Microchip,ALPS,ROHM,Xilinx,Pulse,ON,Everlight and Freescale. Main products comprise IC,Modules,Potentiometer,IC Socket,Relay,Connector.Our parts cover such applications as commercial,industrial, and automotives areas.

We are looking forward to setting up business relationship with you and hope to provide you with the best service and solution. Let us make a better world for our industry!



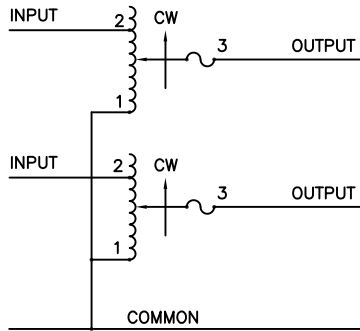
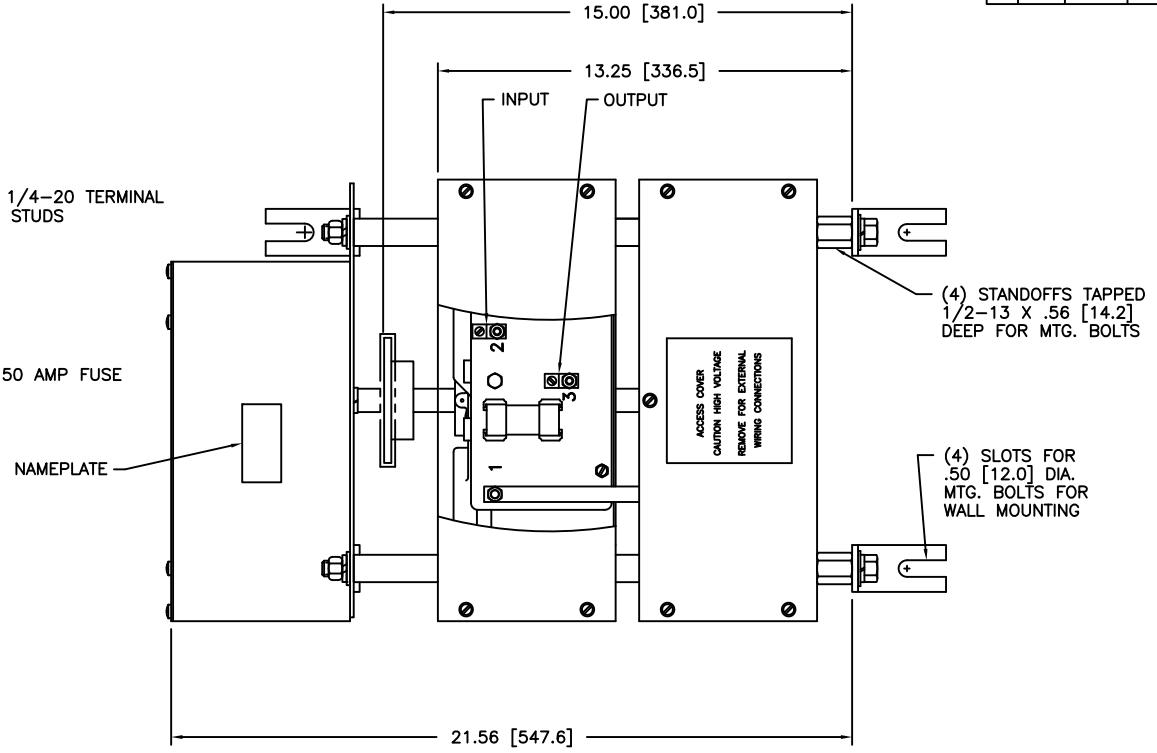
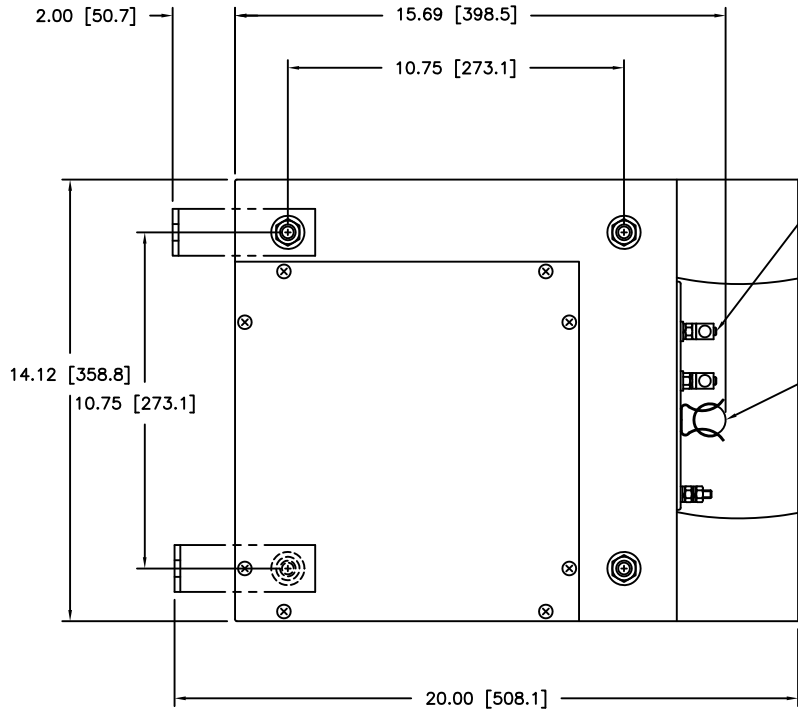
Contact us

Tel: +86-755-8981 8866 Fax: +86-755-8427 6832

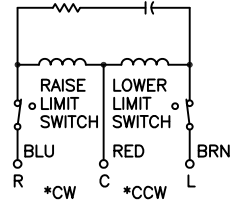
Email & Skype: info@chipsmall.com Web: www.chipsmall.com

Address: A1208, Overseas Decoration Building, #122 Zhenhua RD., Futian, Shenzhen, China





SCHEMATIC



MOTOR CIRCUIT
 120V, 50/60 HZ
 * ROTATION AS VIEWED FROM MOTOR END
 MOTOR SPEED: SEE CHART

SPEED (SECONDS)	MODEL NUMBER
5	5M5011CT-2S
15	15M5011CT-2S
30	30M5011CT-2S
60	60M5011CT-2S

WIRING	SPECIFICATIONS						TERMINAL CONNECTIONS	
	INPUT		OUTPUT		SHAFT ROTATION TO INCREASE VOLTAGE	FOR INCREASING VOLTAGE AS VIEWED FROM ROTOR END		
	VOLTS	HERTZ	VOLTS	MAX. AMPS		MAX. KVA	INPUT	OUTPUT
SINGLE PHASE SERIES	240	50/60	0-280	50	14.0	CW	2-2	3-3

UNLESS OTHERWISE SPECIFIED TOLERANCE IS:
 DIMENSIONS IN INCHES FRACTIONS DECIMALS
 .005 .010 .015 .030 .060 .125 .250 .500 1.000 2.000 3.000 4.000 5.000 10.000 15.000 30.000 48.000 96.000

DATE: 9/18/98
 BY: F. SEALE
 CHECKED: DATE: REVISION APPROVAL: DATE: ENGINEER: DATE: SCALE: .5=1 SHEET 1 OF 1

SSACO
 ENERGY PRODUCTS CO.
 A NORTHWEST COMPANY OF SAELE GROUP
 DAYTON, OHIO U.S.A.

REV. NO. 031-6251