



Chipsmall Limited consists of a professional team with an average of over 10 year of expertise in the distribution of electronic components. Based in Hongkong, we have already established firm and mutual-benefit business relationships with customers from,Europe,America and south Asia,supplying obsolete and hard-to-find components to meet their specific needs.

With the principle of "Quality Parts,Customers Priority,Honest Operation,and Considerate Service",our business mainly focus on the distribution of electronic components. Line cards we deal with include Microchip,ALPS,ROHM,Xilinx,Pulse,ON,Everlight and Freescale. Main products comprise IC,Modules,Potentiometer,IC Socket,Relay,Connector.Our parts cover such applications as commercial,industrial, and automotives areas.

We are looking forward to setting up business relationship with you and hope to provide you with the best service and solution. Let us make a better world for our industry!



Contact us

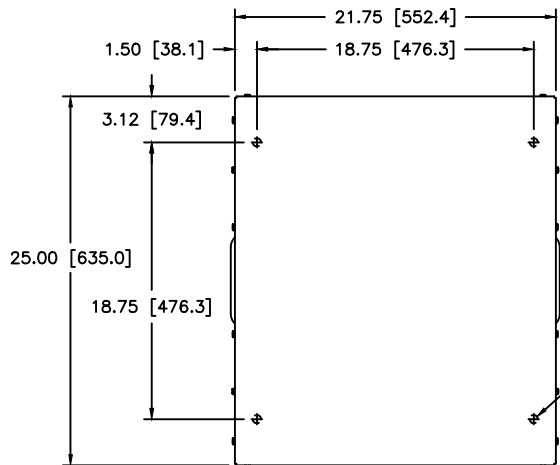
Tel: +86-755-8981 8866 Fax: +86-755-8427 6832

Email & Skype: info@chipsmall.com Web: www.chipsmall.com

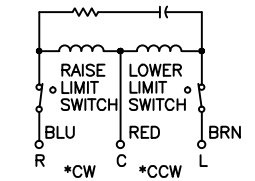
Address: A1208, Overseas Decoration Building, #122 Zhenhua RD., Futian, Shenzhen, China



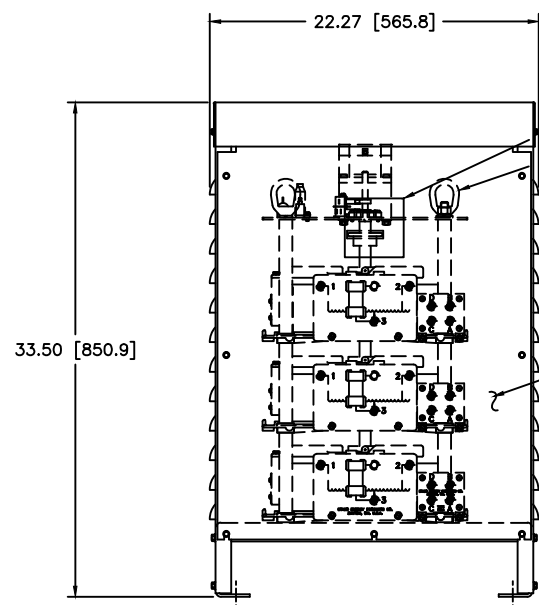
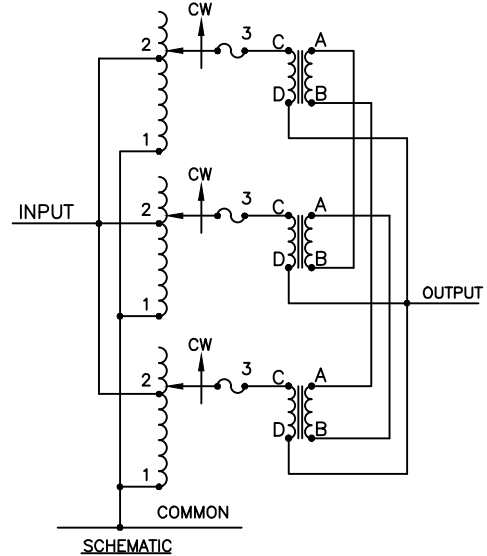
REV. NO.	031-6290		
REV.	DATE	BY	
A	24/05/10	10/8/02	NEW MOTOR



.56 [14.3] DIA. HOLE
4 PLACES ON BOTTOM
FLANGES FOR CUSTOMER
MOUNTING



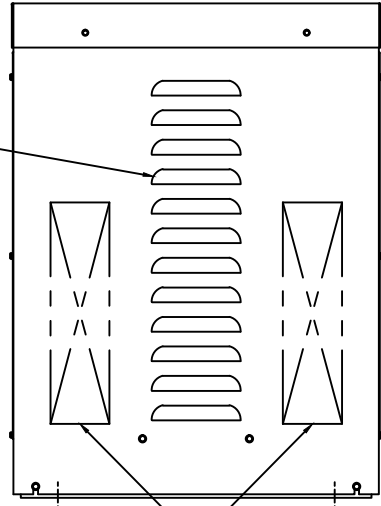
MOTOR CIRCUIT
120V, 50/60 HZ
* ROTATION AS VIEWED
FROM TOP END
MOTOR SPEEDS: SEE CHART



NAMEPLATE
2 EYENUTS
FOR CONVEYING

LOUVER VENTS
BOTH SIDES

ACCESS PANEL TO
FUSES & TERMINALS



RECOMMENDED AREAS
FOR CONDUIT ENTRY

SPEED (SECONDS)	MODEL NUMBER
5	5M5011E-3P
15	15M5011E-3P
30	30M5011E-3P
60	60M5011E-3P

WIRING	INPUT		OUTPUT		SHAFT ROTATION FOR VOLTAGE INCREASE	TERMINAL CONNECTIONS FOR INCREASING VOLTAGE AS VIEWED FROM TOP		
	VOLTS	HERTZ	VOLTS	CONSTANT CURRENT LOAD		INPUT	OUTPUT	
				MAX. AMPS				MAX. KVA
SINGLE PHASE PARALLEL	120	50/60	0-140	150	21.0	CW	1-2	1-D

MAKING CHANGES SPECIFIED THEREIN IS A VIOLATION OF THE PATENT RIGHTS OF STASS9 PRODUCTS CO. WHICH RESERVE ALL RIGHTS IN THIS DRAWING. ANY REPRODUCTION OR TRANSMISSION OF THIS DRAWING WITHOUT THE WRITTEN PERMISSION OF STASS9 PRODUCTS CO. IS PROHIBITED.

DATE: 5/19/97
DRAWN BY: TIM RAU
CHECKED BY: [blank]
SCALE: 25=1
SHEET: 1 OF 1

SPEC. CONTROL DRAWING
MOTORIZED VARIABLE XFMR.
TYPE: M5011E-3P

STASS9 PRODUCTS CO.
A Corporation of America Company
300 South Broadway, Sparks, Ohio 43083-1041

REV. NO. **D** 031-6290