



Chipsmall Limited consists of a professional team with an average of over 10 year of expertise in the distribution of electronic components. Based in Hongkong, we have already established firm and mutual-benefit business relationships with customers from,Europe,America and south Asia,supplying obsolete and hard-to-find components to meet their specific needs.

With the principle of “Quality Parts,Customers Priority,Honest Operation,and Considerate Service”,our business mainly focus on the distribution of electronic components. Line cards we deal with include Microchip,ALPS,ROHM,Xilinx,Pulse,ON,Everlight and Freescale. Main products comprise IC,Modules,Potentiometer,IC Socket,Relay,Connector.Our parts cover such applications as commercial,industrial, and automotives areas.

We are looking forward to setting up business relationship with you and hope to provide you with the best service and solution. Let us make a better world for our industry!



Contact us

Tel: +86-755-8981 8866 Fax: +86-755-8427 6832

Email & Skype: info@chipsmall.com Web: www.chipsmall.com

Address: A1208, Overseas Decoration Building, #122 Zhenhua RD., Futian, Shenzhen, China



REV. NO.	031-7614		
D	REVISIONS		
REV.	DATE	BY	APP.
A	23396 5/12/97		
	REVISED & UPDATED		
B	24011 07/12/99		
	REVISED & UPDATED		

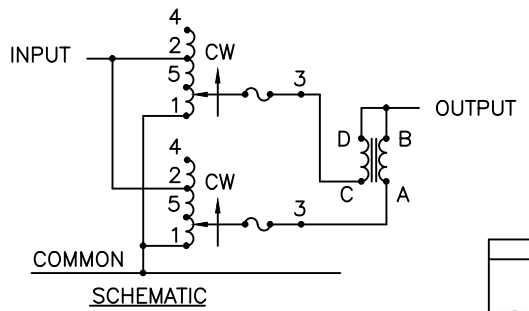
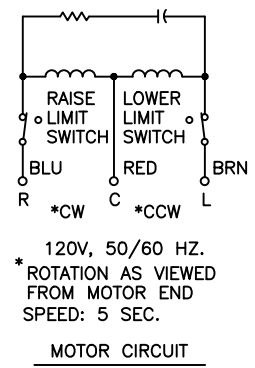
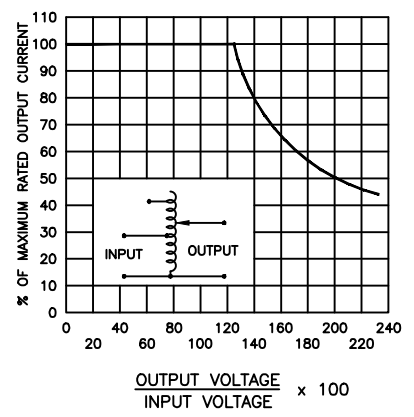
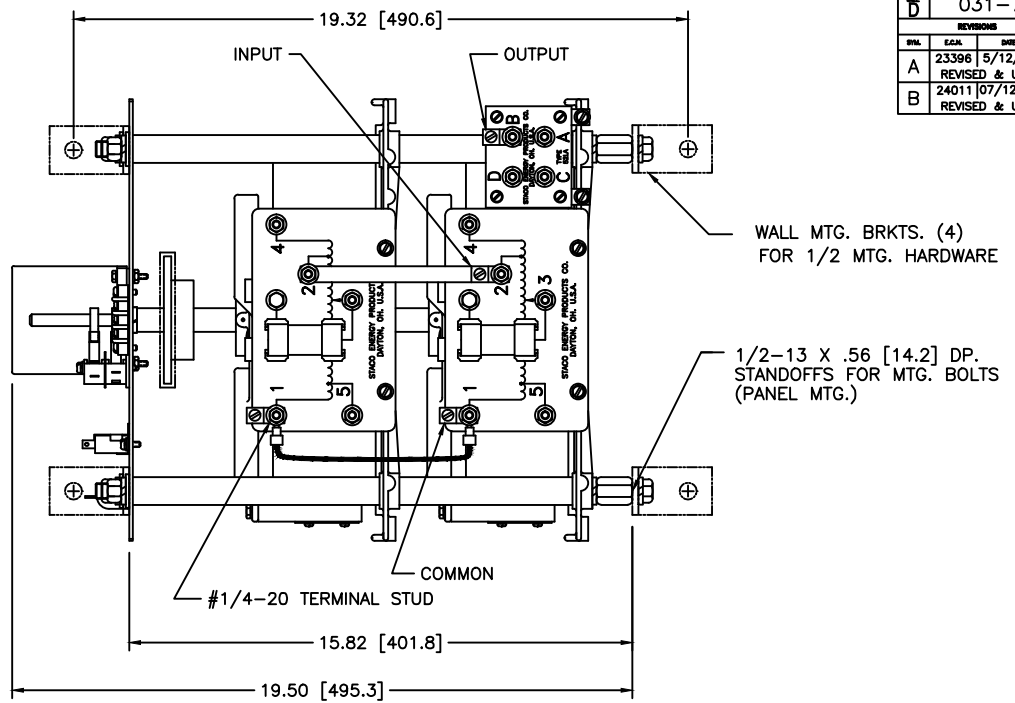
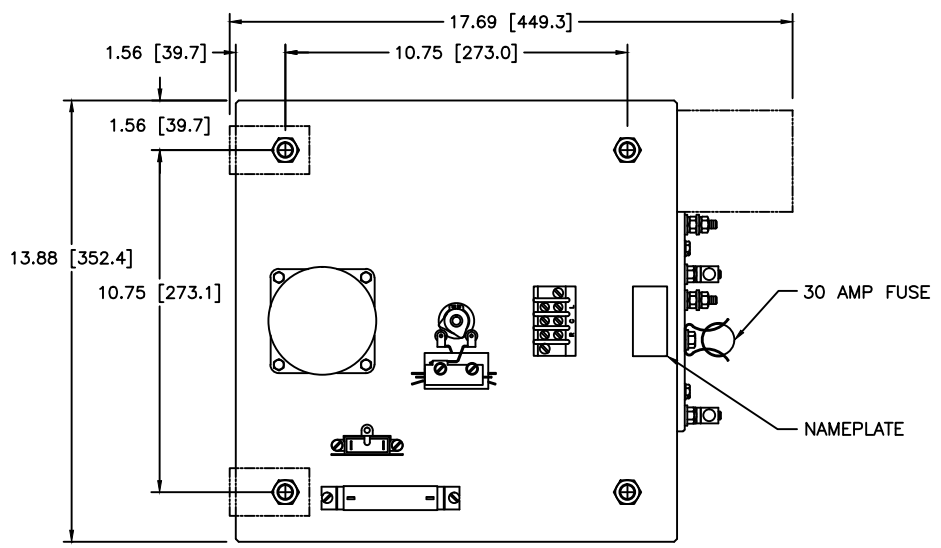


FIGURE A
MAXIMUM OUTPUT CURRENT OF ANY DUAL INPUT VOLTAGE OR VOLTAGE DOUBLER UNIT OPERATED AT LOWER INPUT VOLTAGE.

* VOLTAGE DOUBLER

MAXIMUM OUTPUT CURRENT IN OUTPUT VOLTAGE RANGE FROM 0 TO 25 PERCENT ABOVE LINE VOLTAGE. AT HIGHER OUTPUT VOLTAGES, OUTPUT CURRENT MUST BE REDUCED ACCORDING TO RATING CURVE (SEE FIGURE A).

‡ MAXIMUM KVA AT MAXIMUM OUTPUT AND CORRESPONDING DE-RATED CURRENT. MAXIMUM KVA AT LOWER OUTPUT VOLTAGES MAY BE CALCULATED FROM RATING CURVE, (SEE FIGURE A).

		SPECIFICATIONS					TERMINAL CONNECTIONS	
WIRING	INPUT		OUTPUT			SHAFT ROTATION FOR INCREASE VOLTAGE	FOR INCREASING VOLTAGE AS VIEWED FROM ROTOR END	
	VOLTS	HERTZ	VOLTS	MAX. AMPS	MAX. KVA		INPUT	OUTPUT
SINGLE PHASE PARALLEL	240	50/60	0-240	56	13.4	CW	1-4	1-B
			0-280	56	15.7	CW	1-2	1-B
	120	50/60	0-280	56-24# V.D.	6.8 ‡	CW	1-5	1-B

UNLESS OTHERWISE SPECIFIED, TOLERANCES IN DIMENSIONS ARE: FRACTIONS: ±.005 DECIMALS: ±.002 ANGLES: ±.05°	DATE: 4/24/97	DESIGNER: RAU	CHECKER:	DATE:	SCALE: 5=1	SHEET: 1 OF 1	REV. NO.:	DATE:
---	---------------	---------------	----------	-------	------------	---------------	-----------	-------

SPEC. CONTROL DRAWING VARIABLE TRANSFORMER TYPE: 5M5021-2P		DAYTON, OHIO U.S.A.	
--	--	---------------------	--