



Chipsmall Limited consists of a professional team with an average of over 10 year of expertise in the distribution of electronic components. Based in Hongkong, we have already established firm and mutual-benefit business relationships with customers from,Europe,America and south Asia,supplying obsolete and hard-to-find components to meet their specific needs.

With the principle of “Quality Parts,Customers Priority,Honest Operation,and Considerate Service”,our business mainly focus on the distribution of electronic components. Line cards we deal with include Microchip,ALPS,ROHM,Xilinx,Pulse,ON,Everlight and Freescale. Main products comprise IC,Modules,Potentiometer,IC Socket,Relay,Connector.Our parts cover such applications as commercial,industrial, and automotives areas.

We are looking forward to setting up business relationship with you and hope to provide you with the best service and solution. Let us make a better world for our industry!



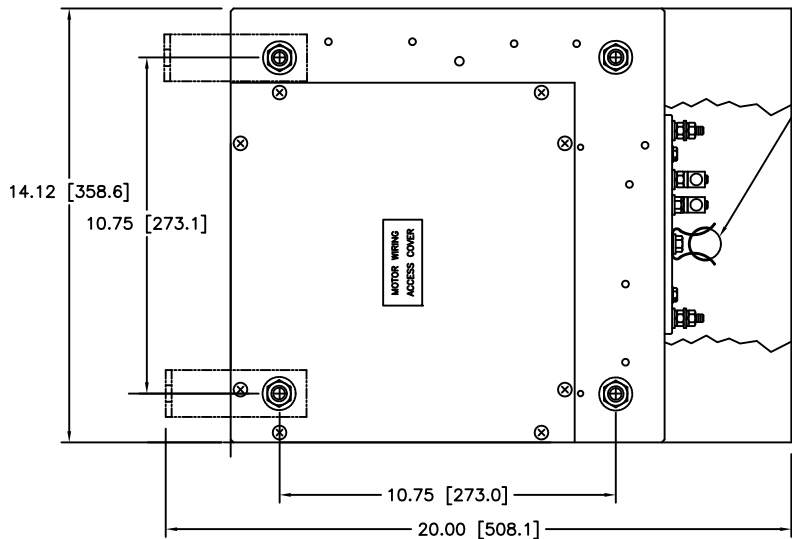
## Contact us

Tel: +86-755-8981 8866 Fax: +86-755-8427 6832

Email & Skype: info@chipsmall.com Web: www.chipsmall.com

Address: A1208, Overseas Decoration Building, #122 Zhenhua RD., Futian, Shenzhen, China





30 AMP FUSE  
 NAMEPLATE

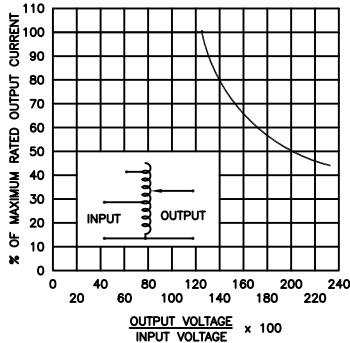
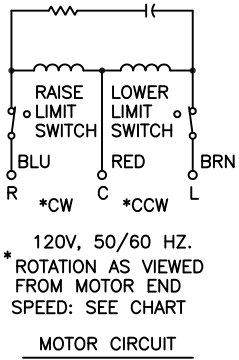
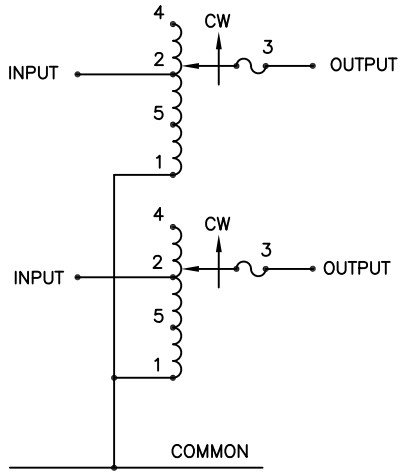
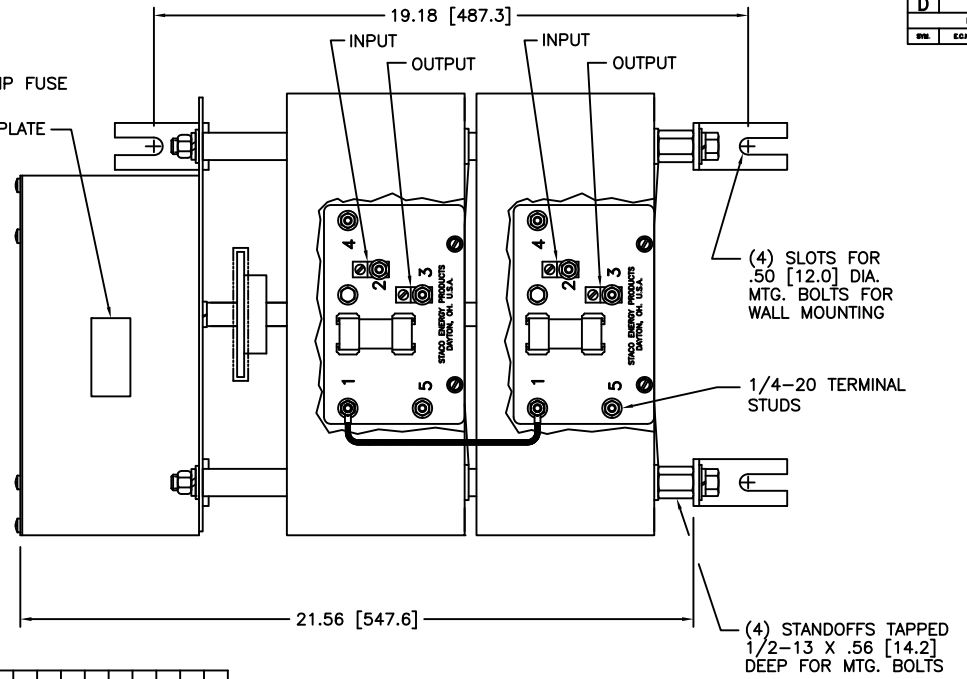


FIGURE A  
 MAXIMUM OUTPUT CURRENT OF ANY DUAL INPUT VOLTAGE OR VOLTAGE DOUBLER UNIT OPERATED AT LOWER INPUT VOLTAGE.

# MAXIMUM OUTPUT CURRENT IN OUTPUT VOLTAGE RANGE FROM 0 TO 25 PERCENT ABOVE LINE VOLTAGE. AT HIGHER OUTPUT VOLTAGES, OUTPUT CURRENT MUST BE REDUCED ACCORDING TO RATING CURVE (SEE FIGURE A).  
 ++ MAXIMUM KVA AT MAXIMUM OUTPUT AND CORRESPONDING DE-RATED CURRENT. MAXIMUM KVA AT LOWER OUTPUT VOLTAGES MAY BE CALCULATED FROM RATING CURVE, (SEE FIGURE A).

V.D. = VOLTAGE DOUBLER.

SPEED (SECONDS)	TYPE NO.
5	5M5021CT-2S
15	15M5021CT-2S
30	30M5021CT-2S
60	60M5021CT-2S

WIRING	INPUT		OUTPUT			SHAFT ROTATION FOR INCREASE VOLTAGE	TERMINAL CONNECTIONS FOR INCREASING VOLTAGE AS VIEWED FROM ROTOR END		
	VOLTS	HERTZ	VOLTS	MAX. AMPS	MAX. KVA		INPUT	JUMPER	OUTPUT
SINGLE PHASE SERIES	480	50/60	0-480	28	13.5	CW	4-4	---	3-3
			0-560	28	15.7	CW	2-2	---	3-3
	240	50/60	0-560	28* - 12 V.D.	6.8 †	CW	5-5	---	3-3

UNLESS OTHERWISE SPECIFIED TOLERANCES ARE: DIMENSIONS IN INCHES: FRACTIONS DECIMALS .005 .015 .030 .060 .125 .250 .500 .001 .002 .005 .010 .015 .030 .060 .125 .250 .500	UNLESS OTHERWISE SPECIFIED TOLERANCES ARE: DIMENSIONS IN MILLIMETERS: FRACTIONS DECIMALS 1/16 1/8 1/4 3/8 1/2 5/8 3/4 7/8 1 1 1/4 1 1/2 1 3/4 2 2 1/4 3 3 1/4 4 4 1/2 5 5 1/2 6 6 1/2 7 7 1/2 8 8 1/2 9 9 1/2 10
DATE: 1/2/97	SCALE: .5=1

SCHEMATIC



DATE: 1/2/97  
 SCALE: .5=1  
 SHEET 1 OF 1  
 FILE: SPEC. CONTROL DWG. VARIABLE TRANSFORMER TYPE: M5021CT-2S  
 CUSTOMER APPROVAL: DATE: 031-7669