



Chipsmall Limited consists of a professional team with an average of over 10 year of expertise in the distribution of electronic components. Based in Hongkong, we have already established firm and mutual-benefit business relationships with customers from,Europe,America and south Asia,supplying obsolete and hard-to-find components to meet their specific needs.

With the principle of "Quality Parts,Customers Priority,Honest Operation,and Considerate Service",our business mainly focus on the distribution of electronic components. Line cards we deal with include Microchip,ALPS,ROHM,Xilinx,Pulse,ON,Everlight and Freescale. Main products comprise IC,Modules,Potentiometer,IC Socket,Relay,Connector.Our parts cover such applications as commercial,industrial, and automotives areas.

We are looking forward to setting up business relationship with you and hope to provide you with the best service and solution. Let us make a better world for our industry!



Contact us

Tel: +86-755-8981 8866 Fax: +86-755-8427 6832

Email & Skype: info@chipsmall.com Web: www.chipsmall.com

Address: A1208, Overseas Decoration Building, #122 Zhenhua RD., Futian, Shenzhen, China



DWG. NO.	032-8275		
REVISIONS			
SYM.	E.C.N.	DATE	APVD.
B	23464	8/4/97	
C	23647	1/12/98	
D	24309	8/17/00	
E	24960	10/3/02	
F	24991	10/30/02	

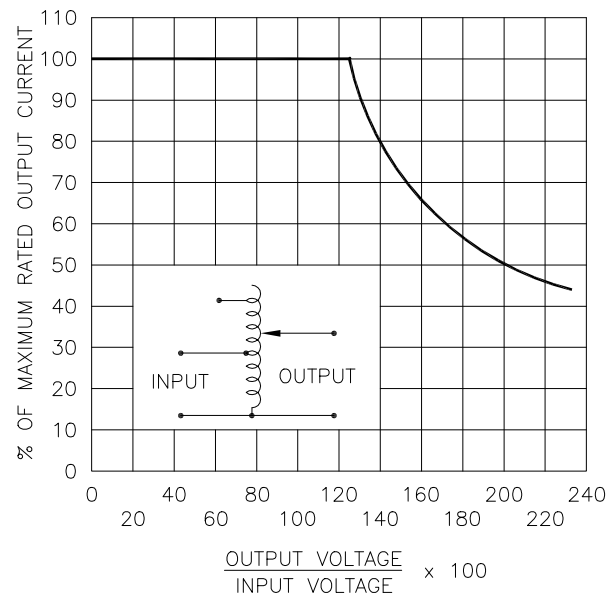
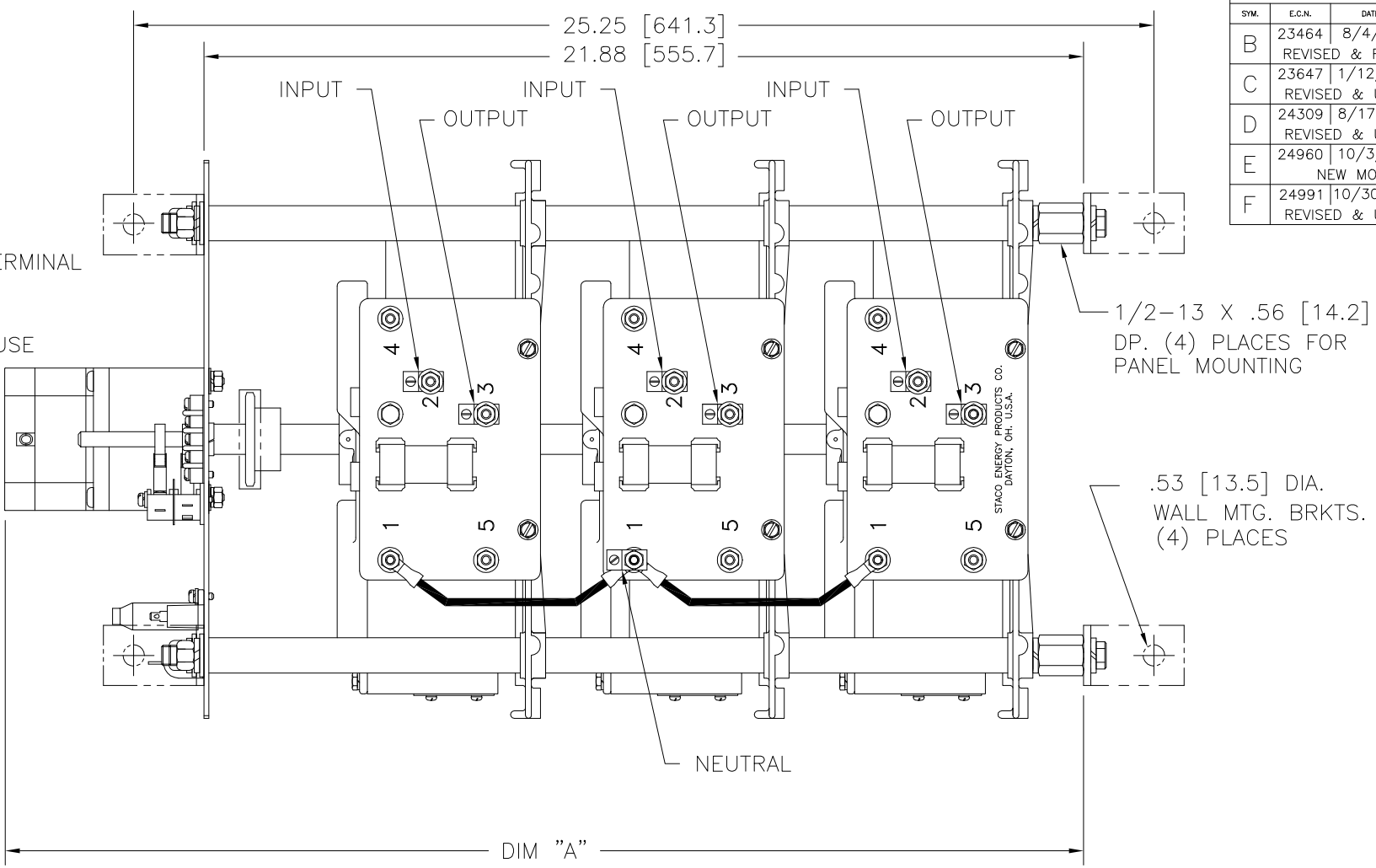
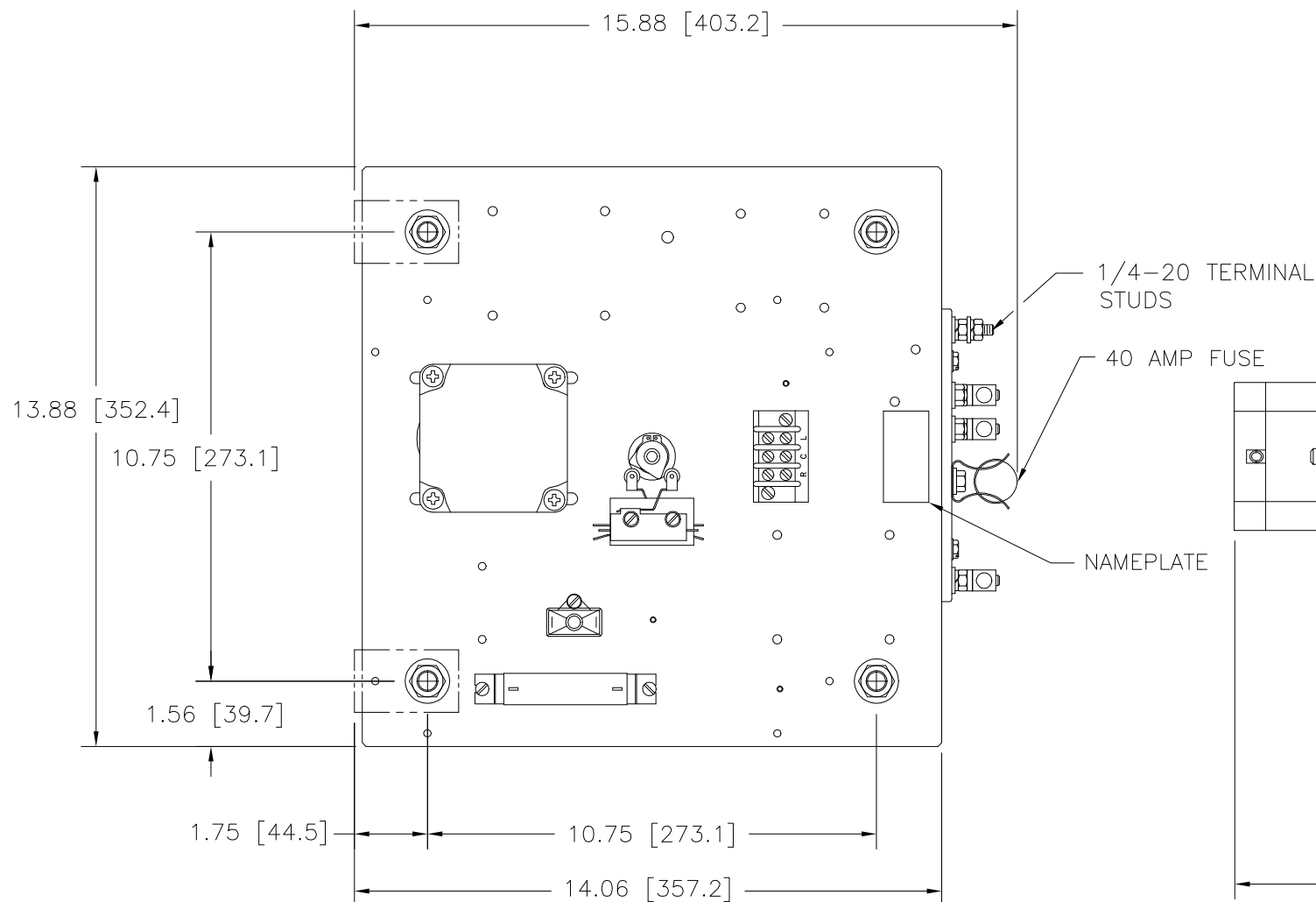
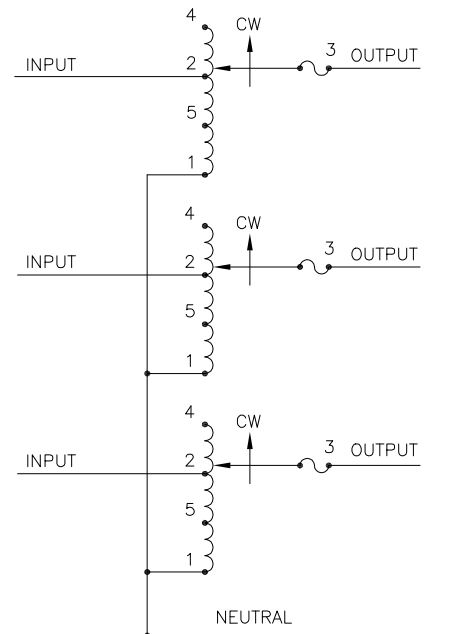
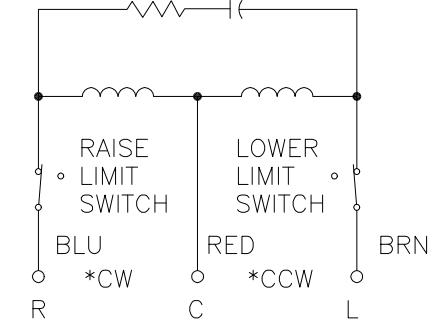


FIGURE A
MAXIMUM OUTPUT CURRENT OF ANY DUAL INPUT VOLTAGE OR VOLTAGE DOUBLER UNIT OPERATED AT LOWER INPUT VOLTAGE.



SCHEMATIC



MOTOR CIRCUIT
120V 60 HZ
* ROTATION AS VIEWED FROM MOTOR END
MOTOR SPEED: SEE CHART

* MAXIMUM OUTPUT CURRENT IN OUTPUT VOLTAGE RANGE FROM 0 TO 25% ABOVE LINE VOLTAGE. AT HIGHER OUTPUT VOLTAGES, OUTPUT CURRENT MUST BE REDUCED ACCORDING TO RATING CURVE, FIGURE A.

V.D. = VOLTAGE DOUBLER.

++ MAXIMUM KVA AT MAXIMUM OUTPUT AND CORRESPONDING DE-RATING CURRENT. MAXIMUM KVA AT LOWER OUTPUT VOLTAGES MAY BE CALCULATED FROM RATING CURVE, FIGURE A.

WIRING	SPECIFICATIONS					SHAFT ROTATION TO INCREASE VOLTAGE	TERMINAL CONNECTIONS		
	INPUT		OUTPUT		MAX. KVA		FOR INCREASING VOLTAGE AS VIEWED FROM ROTOR END		
	VOLTS	HERTZ	VOLTS	MAX. AMPS			INPUT	JUMPER	OUTPUT
THREE PHASE WYE	480	50/60	0-480	35	29.1	CW	4-4-4	---	3-3-3
		60	0-560	35	33.9	CW	2-2-2	---	3-3-3
	240	60	0-560	35-15 V.D.	14.5**	CW	5-5-5	---	3-3-3

SPEED (SECONDS)	MODEL NUMBER	DIM "A"
5	5M6020-3Y	25.75 [654.0]
15	15M6020-3Y	26.84 [681.7]
30	30M6020-3Y	26.84 [681.7]
60	60M6020-3Y	26.84 [681.7]

UNLESS OTHERWISE SPECIFIED, TOLERANCE IS ± DECIMALS HOLES .12 ANGLES DRAFT 1-1/2° UNITS IN [mm]

TITLE: SPEC. CONTROL DRAWING MOTORIZED VARIABLE XFMR. TYPE: M6020-3Y

STACO ENERGY PRODUCTS CO.
A Components Corporation of America Company
302 Gaidis Boulevard Dayton, Ohio 45424 USA

DRAWN BY: TIM RAU DATE: 8/4/97 FIRST USED ON: DO NOT SCALE DWG.
CHECKER: DATE: WEIGHT APPROX.: CAGE CODE: 83008
ENGINEER: DATE: SCALE: .50=1 SHEET 1 OF 1

DWG. NO. 032-8275