



Chipsmall Limited consists of a professional team with an average of over 10 year of expertise in the distribution of electronic components. Based in Hongkong, we have already established firm and mutual-benefit business relationships with customers from,Europe,America and south Asia,supplying obsolete and hard-to-find components to meet their specific needs.

With the principle of “Quality Parts,Customers Priority,Honest Operation,and Considerate Service”,our business mainly focus on the distribution of electronic components. Line cards we deal with include Microchip,ALPS,ROHM,Xilinx,Pulse,ON,Everlight and Freescale. Main products comprise IC,Modules,Potentiometer,IC Socket,Relay,Connector.Our parts cover such applications as commercial,industrial, and automotives areas.

We are looking forward to setting up business relationship with you and hope to provide you with the best service and solution. Let us make a better world for our industry!



Contact us

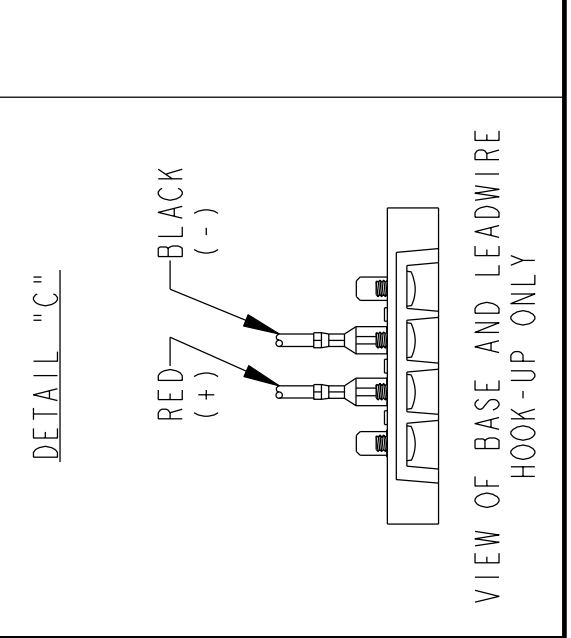
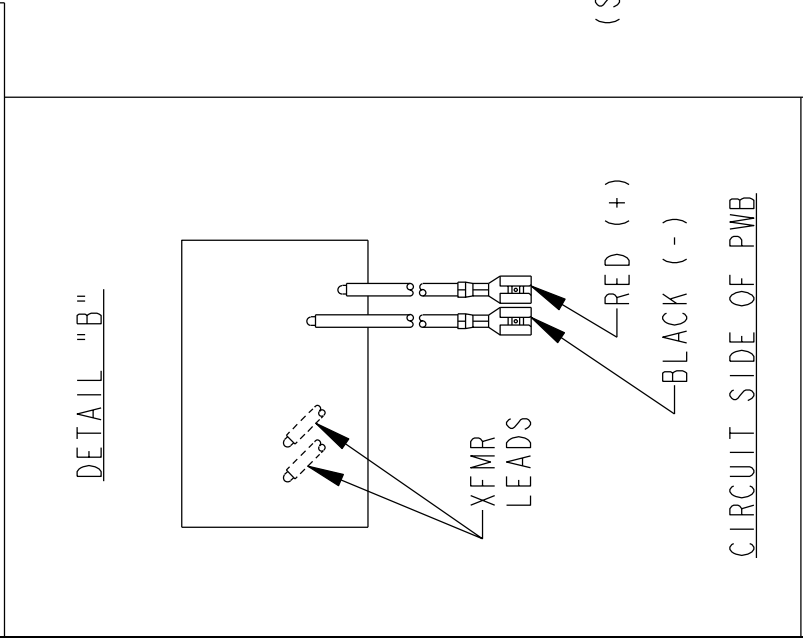
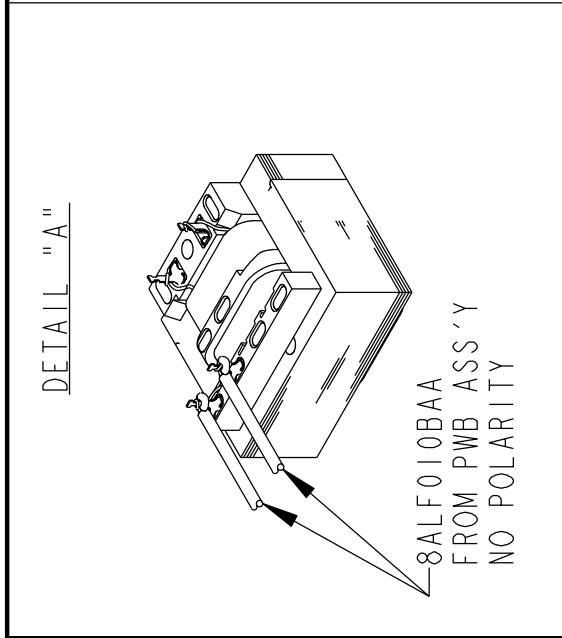
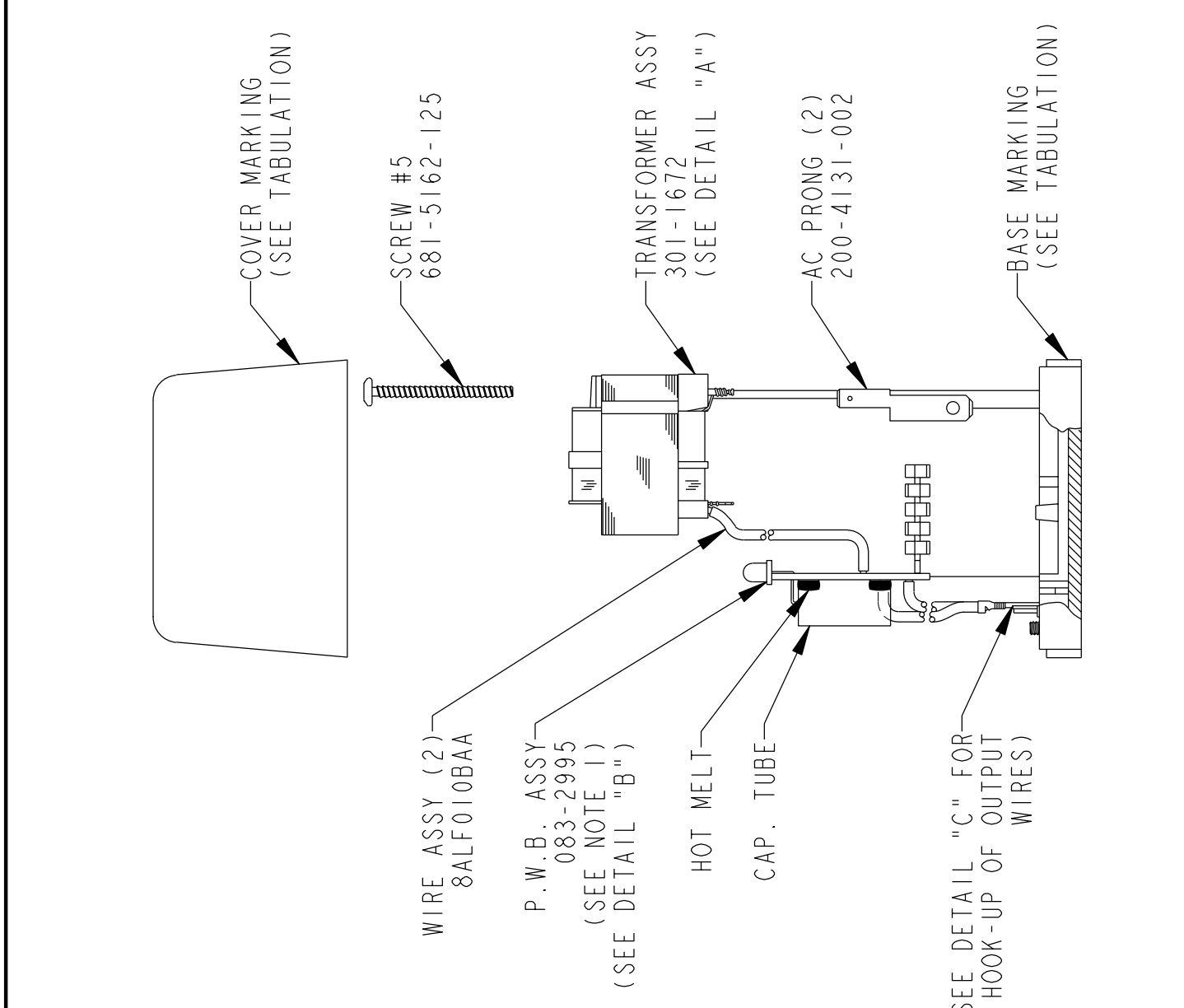
Tel: +86-755-8981 8866 Fax: +86-755-8427 6832

Email & Skype: info@chipsmall.com Web: www.chipsmall.com

Address: A1208, Overseas Decoration Building, #122 Zhenhua RD., Futian, Shenzhen, China



REVISIONS			
REV	DESCRIPTION	DATE	APPROVAL
B	REVISE AND REDRAW	7-11-89	96073 KDB
C	ADD P/N 5VA-12050-0N TO TAB	7-28-89	98089 RJM
D	ADD P/N 5VA-12050-0P TO TAB	10-24-91	91030 JL
E	CHANGE PWB ASSY PART NO	7-21-94	46033 JL
F	REMOVE P/N 5VA-12050-0N FROM CHART	7-21-99	96531
G	CHANGE 5VA1205000 BASE MKG P/N	8-29-01	16542



NOTES:

1. NOT ALL COMPONENTS SHOWN ON CIRCUIT BOARD ASSEMBLY FOR CLARITY.
2. HOT MELT PWB TO BASE AND CAP AND TUBE TO PWB.
3. HOT MELT POTS AFTER SETTING AT PRETEST.

TOLERANCES UNLESS NOTED OTHERWISE	SUPPLEMENTARY INFORMATION FIRST USED		BATTERY CHARGER FINAL ASSEMBLY	AULT AULT INCORPORATED MINNEAPOLIS, MINNESOTA
	DO NOT SCALE DRAWING	SCALE NONE		
.X ±.020	DRAWN BY M. HOVDE	29-Aug-01	SIZE B	DRAWING NO.
.XX ±.010	DESIGNER		5VA120500X	REV G
.XXX ±.005	AGENCY			
ANGLES ±.5°	ENGINEER			
	APPROVED RJM	4-22-85		SHEET 1 OF 1

UNIT	PART NO	REV	BASE ASSY	COVER MARKING
5VA-12050-00	J	170-2071	150-1368	
5VA-12050-02	J	150-1558	170-1974	
5VA-12050-07	H	150-1370	150-1368	
5VA-12050-0P	B	150-4580	150-4587	