



Chipsmall Limited consists of a professional team with an average of over 10 year of expertise in the distribution of electronic components. Based in Hongkong, we have already established firm and mutual-benefit business relationships with customers from,Europe,America and south Asia,supplying obsolete and hard-to-find components to meet their specific needs.

With the principle of “Quality Parts,Customers Priority,Honest Operation,and Considerate Service”,our business mainly focus on the distribution of electronic components. Line cards we deal with include Microchip,ALPS,ROHM,Xilinx,Pulse,ON,Everlight and Freescale. Main products comprise IC,Modules,Potentiometer,IC Socket,Relay,Connector.Our parts cover such applications as commercial,industrial, and automotives areas.

We are looking forward to setting up business relationship with you and hope to provide you with the best service and solution. Let us make a better world for our industry!



Contact us

Tel: +86-755-8981 8866 Fax: +86-755-8427 6832

Email & Skype: info@chipsmall.com Web: www.chipsmall.com

Address: A1208, Overseas Decoration Building, #122 Zhenhua RD., Futian, Shenzhen, China

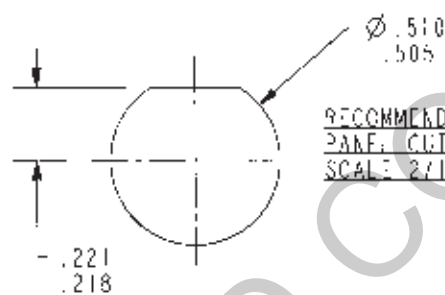
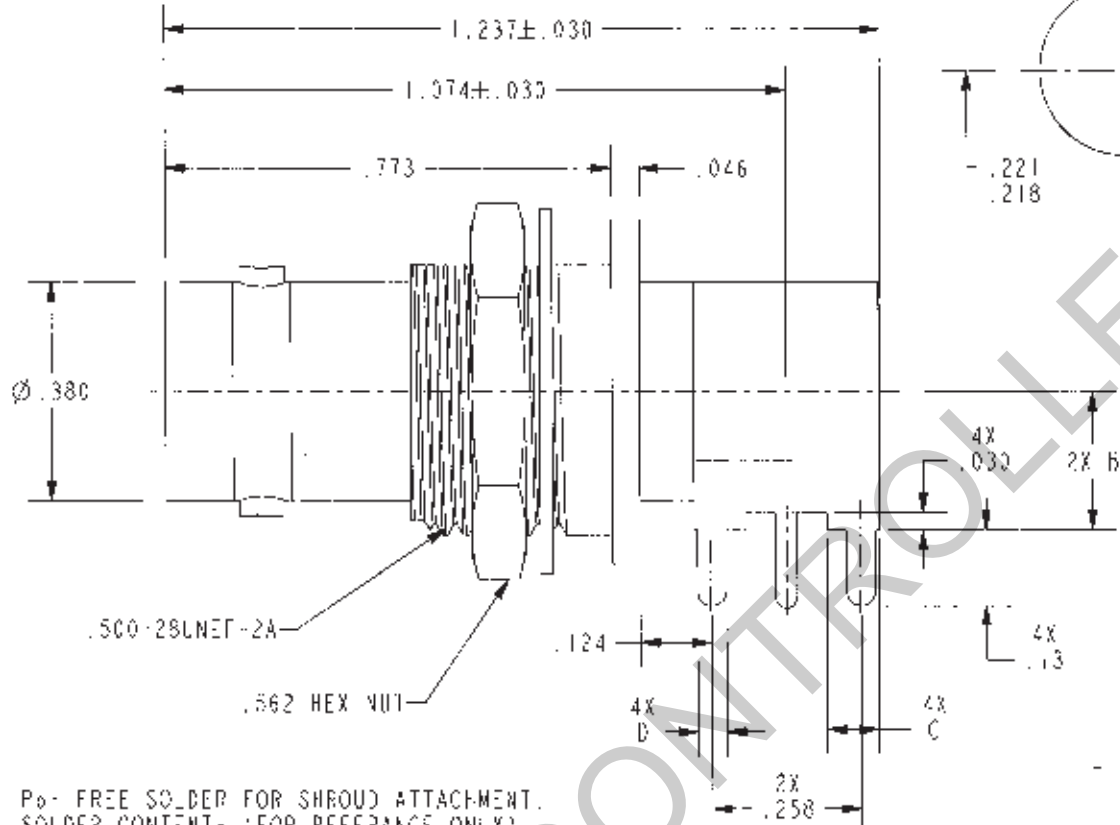


DASH NUMBER	MODEL NUMBER	IMPEDANCE	A DIA	B DIM	C DIM	D DIM	E DIA
-	C3BJR29	50	.046	.24	.090	.050	.0625
-2	UC3BJR29	75	.029	.34	.090	.058	.070
3	C3BJR29A	50	.046	.24	.090	.050	.0625
4	UC3BJR29A	75	.029	.34	.090	.058	.070

DATA CONTAINED IN THIS DOCUMENT IS PROPRIETARY TO TROMPETER ELECTRONICS INC. AND SHALL NOT BE REPRODUCED, COPIED OR USED FOR PURPOSES OF ANY NATURE WITHOUT EXPRESS WRITTEN PERMISSION OF TROMPETER ELECTRONICS INC.

REVISIONS

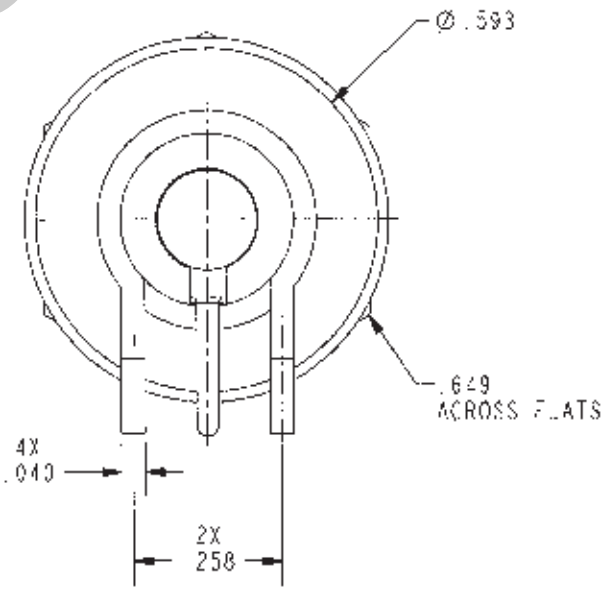
REV	DESCRIPTIONS	DATE	APPROVED
A	REV SLD PER ECO 16625	7-18-08	Dramos



RECOMMENDED PANEL CUTOUT SCALE: 3/1



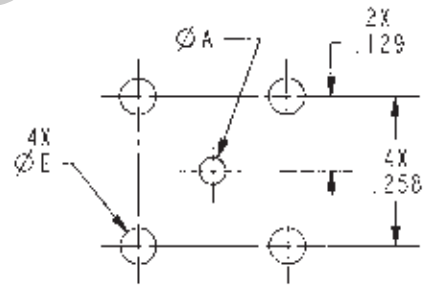
SCALE 1/1



AS SHOWN

RED INDICATES ORIGINAL

- 50 & 75 Ω 90° RIGHT ANGLE CIRCUIT BOARD AND BULKHEAD MOUNTING BNC RECEPTACLE
- FINISH: TFS-172 (LEAD FREE TFM)
- EXAMPLE OF COMPLETE PART NUMBER:
6-000-1
BASIC PART NUMBER DASH NUMBER
- MAXIMUM PANEL THICKNESS: .79
- PO-FREE SOLDER FOR SHROUD ATTACHMENT. SOLDER CONTENT: (FOR REFERENCE ONLY) (Sn = 96.5%, Ag = 3.0%, Cu = 0.5%)



RECOMMENDED MIG HOLE PATTERN SCALE: 3/1

NOTES: UNLESS OTHERWISE SPECIFIED.

INTERPRET DRAWING PER MIL-STD-100. DIMENSIONS ARE IN INCHES AND INCLUDE FINISH THICKNESS UNLESS OTHERWISE SPECIFIED.		FOL. UNLESS SPECIFIED: .XX ± .02 .XXX ± .013 ANGLE ± 1°			
MATERIAL: 6-15-03		TITLE: RoHS 6 COMPLIANT J/C3BJR29/A TYPE CONNECTOR ASSEMBLY			
DATE: 6-23-08	APPROVED:	FINISH:	SIZE: A 14949	DRAWING NO.: 6-0001	REV: A
PROJ FILE NO.: 6-0001	DO NOT SCALE DIMS	SCALE: 3/1	DATE: 1-13-06	SHEET: 1C	