



Chipsmall Limited consists of a professional team with an average of over 10 year of expertise in the distribution of electronic components. Based in Hongkong, we have already established firm and mutual-benefit business relationships with customers from,Europe,America and south Asia,supplying obsolete and hard-to-find components to meet their specific needs.

With the principle of "Quality Parts,Customers Priority,Honest Operation,and Considerate Service",our business mainly focus on the distribution of electronic components. Line cards we deal with include Microchip,ALPS,ROHM,Xilinx,Pulse,ON,Everlight and Freescale. Main products comprise IC,Modules,Potentiometer,IC Socket,Relay,Connector.Our parts cover such applications as commercial,industrial, and automotives areas.

We are looking forward to setting up business relationship with you and hope to provide you with the best service and solution. Let us make a better world for our industry!



Contact us

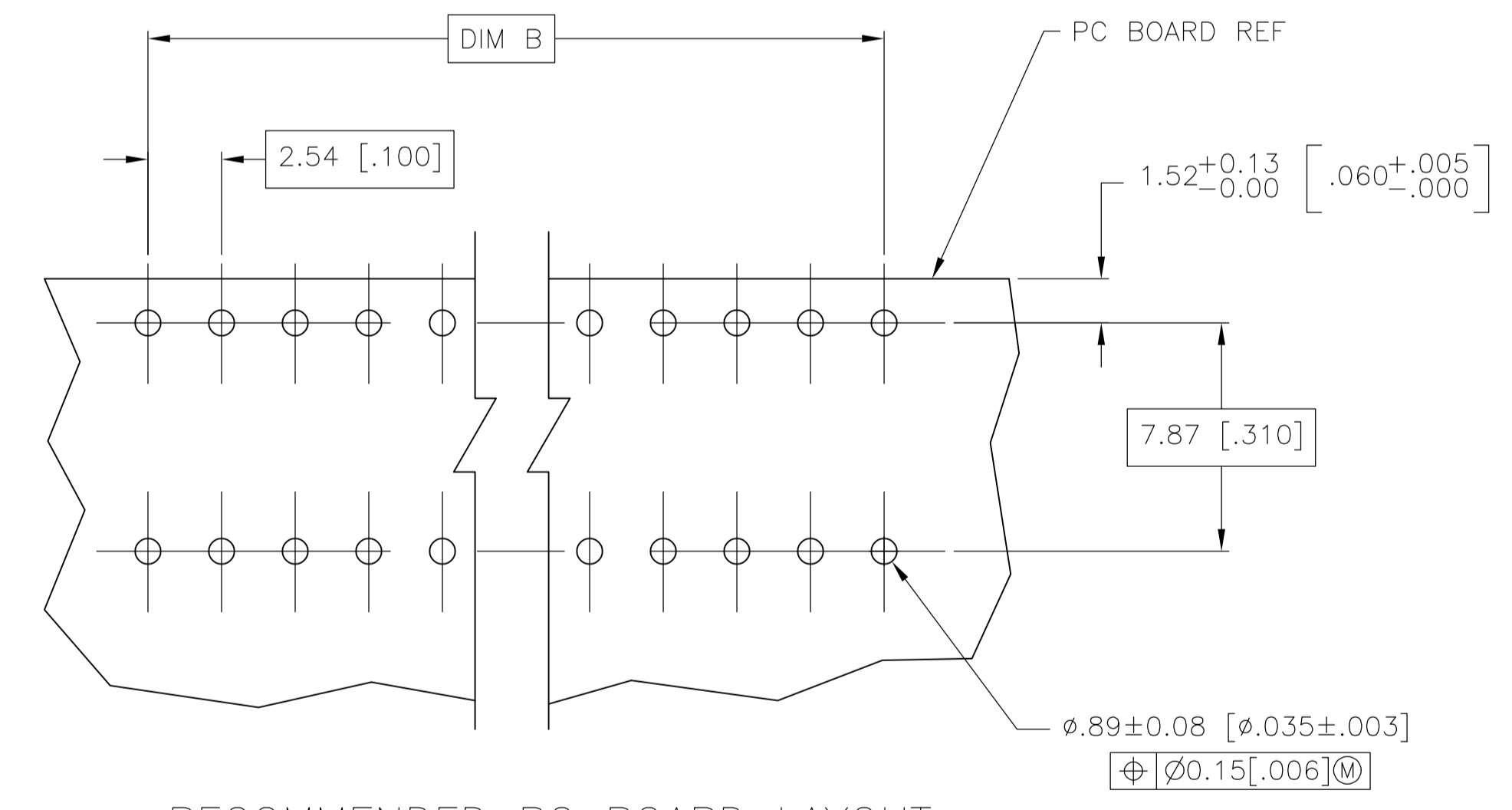
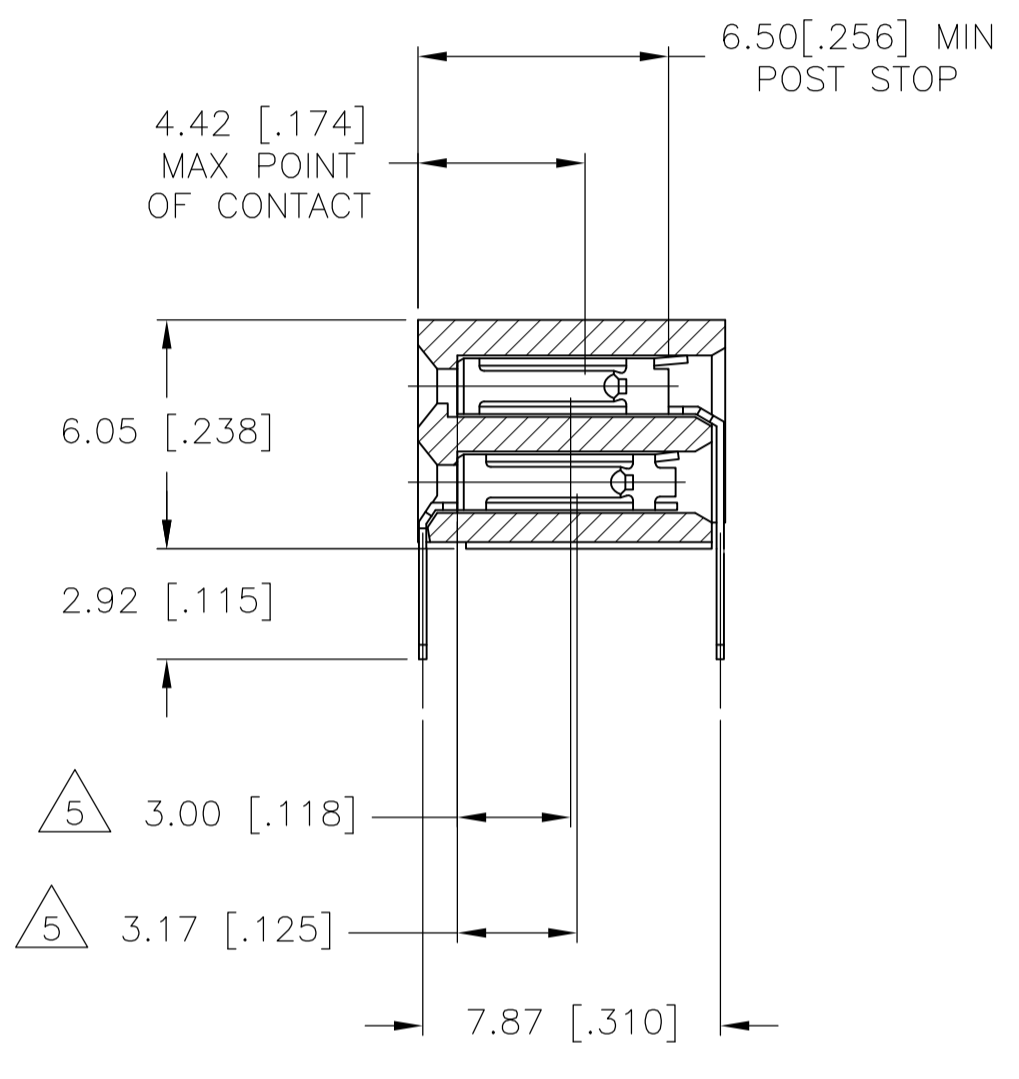
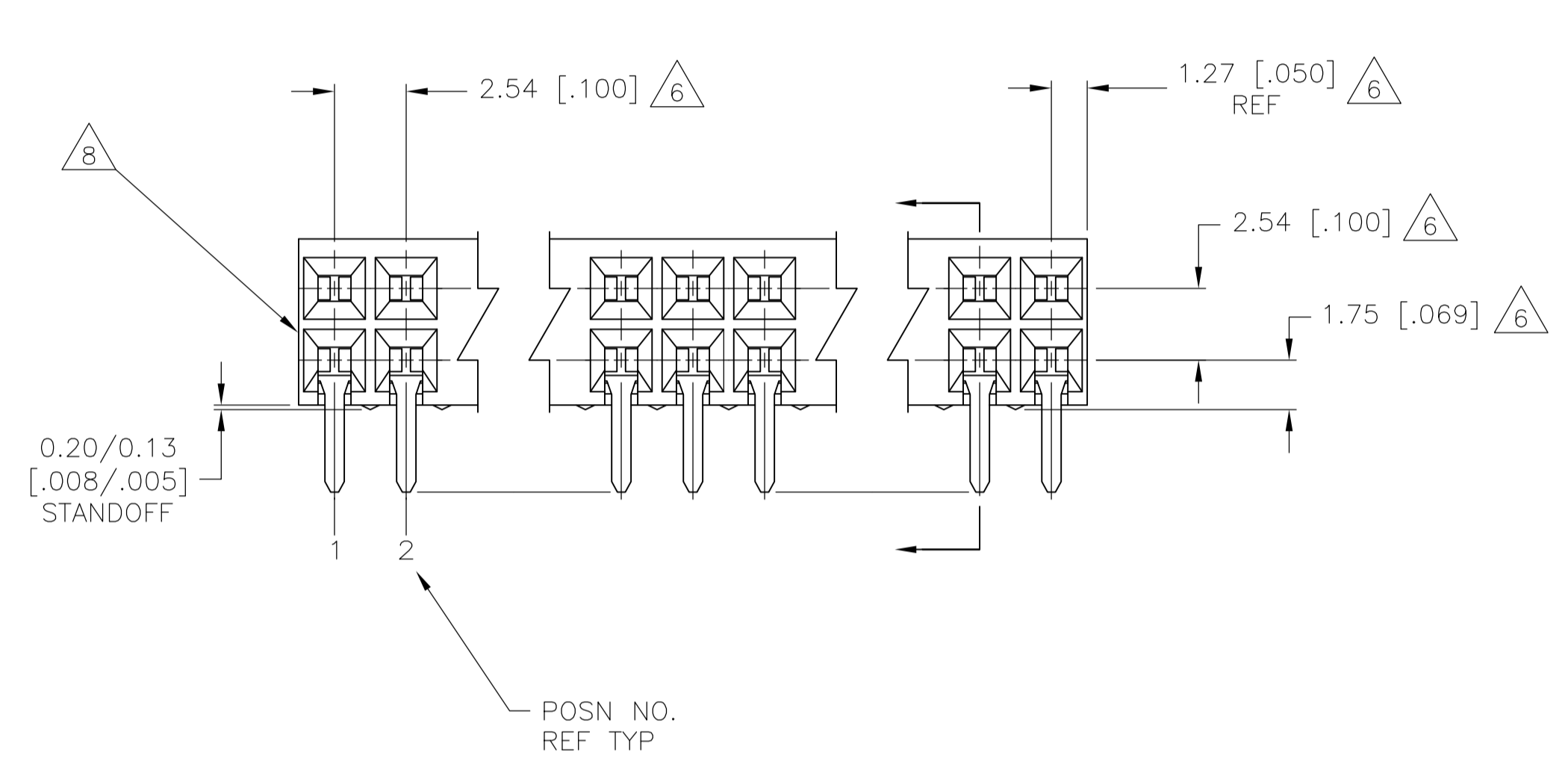
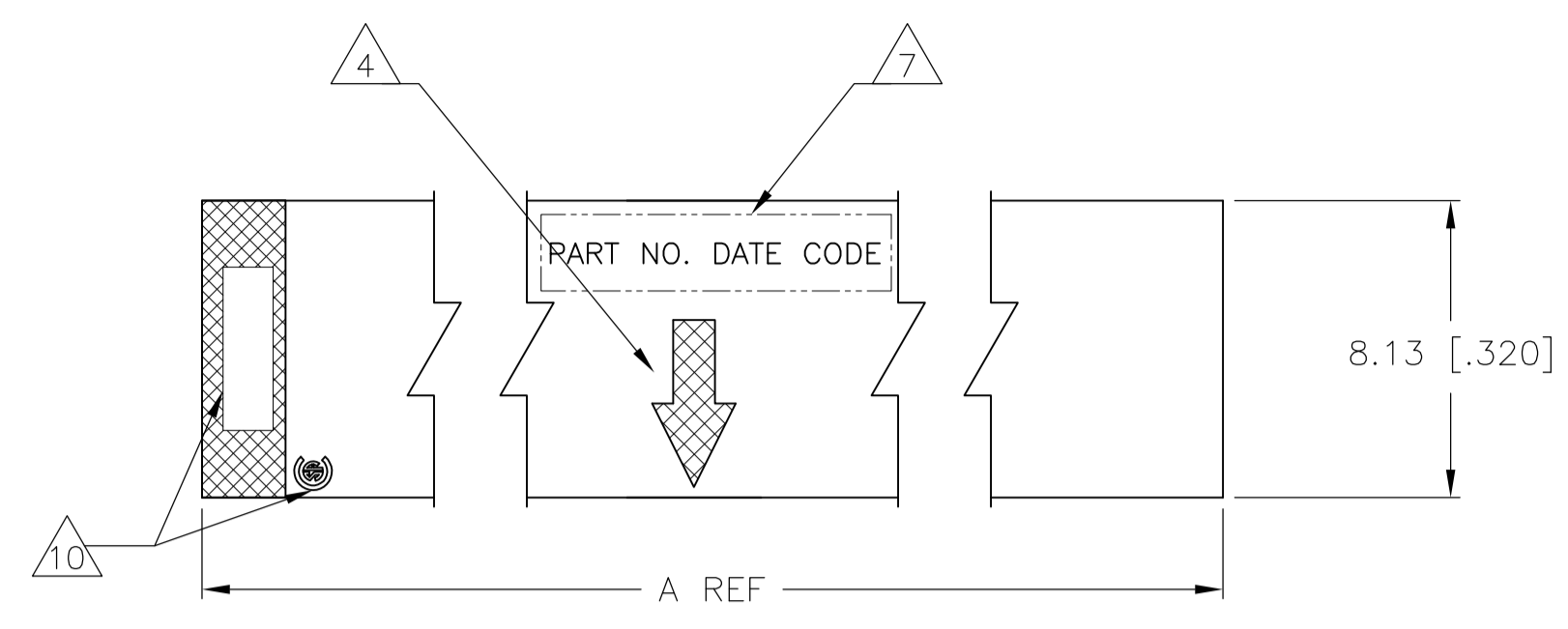
Tel: +86-755-8981 8866 Fax: +86-755-8427 6832

Email & Skype: info@chipsmall.com Web: www.chipsmall.com

Address: A1208, Overseas Decoration Building, #122 Zhenhua RD., Futian, Shenzhen, China



LOC		DIST		REVISIONS			
AD	00	P	LTR	DESCRIPTION	DATE	DMN	APVO
		Y4	REVISED	PER ECO-13-005565	29MAR13	KH	JO



RECOMMENDED PC BOARD LAYOUT

- 1 HOUSING MATERIAL: GLASS FILLED POLYESTER, COLOR- BLACK
- 2 CONTACT MATERIAL: PHOSPHOR BRONZE
- 3 CONTACT FINISH: 0.00254-0.00508[.000100-.000200] THK BRIGHT TIN-LEAD, ALL OVER 0.00127[.000050] NICKEL, ENTIRE CONTACT
- 4 MOLDED IN ARROW DESIGNATES THE MATING FACE OF THE CONNECTOR
- 5 POINT OF MEASUREMENT FOR PLATING THICKNESS OF CONTACT AREA
- 6 DIMENSIONS PERTAIN TO HOUSING CAVITY CENTERLINES
- 7 MARK PART NUMBER AND DATE CODE IN APPROXIMATE LOCATION SHOWN, EITHER END.
- 8 ALTERNATE LOCATION FOR DATE CODE FOR 4 AND 6 POSITION.
- 9 NO PART NUMBER MARKING REQUIRED FOR THIS PART.
- 10 TE LOGO AND CSA LOGO ARE MOLDED INTO HOUSING, THIS LOCATION.

NO.	POSN	DESCRIPTION	DATE	DMN	APVO
9	2.54 [.100]	5.08 [.200]	4	8	6-102084-4
9	5.08 [.200]	7.62 [.300]	6	8	6-102084-3
9	7.62 [.300]	10.16 [.400]	8	8	6-102084-2
9	10.16 [.400]	12.70 [.500]	10	8	6-102084-1
9	12.70 [.500]	15.24 [.600]	12	8	6-102084-0
9	15.24 [.600]	17.78 [.700]	14	8	5-102084-9
9	17.78 [.700]	20.32 [.800]	16	8	5-102084-8
9	20.32 [.800]	22.86 [.900]	18	8	5-102084-7
9	22.86 [.900]	25.40 [1.000]	20	8	5-102084-6
9	25.40 [1.000]	27.94 [1.100]	22	8	5-102084-5
9	27.94 [1.100]	30.48 [1.200]	24	8	5-102084-4
9	30.48 [1.200]	33.02 [1.300]	26	8	5-102084-3
9	33.02 [1.300]	35.56 [1.400]	28	8	5-102084-2
9	35.56 [1.400]	38.10 [1.500]	30	8	5-102084-1
9	38.10 [1.500]	40.64 [1.600]	32	8	5-102084-0
9	40.64 [1.600]	43.18 [1.700]	34	8	4-102084-9
9	43.18 [1.700]	45.72 [1.800]	36	8	4-102084-8
9	45.72 [1.800]	48.26 [1.900]	38	8	4-102084-7
9	48.26 [1.900]	50.8 [2.000]	40	8	4-102084-6
9	50.8 [2.000]	53.34 [2.100]	42	8	4-102084-5
9	53.34 [2.100]	55.88 [2.200]	44	8	4-102084-4
9	55.88 [2.200]	58.42 [2.300]	46	8	4-102084-3
9	58.42 [2.300]	60.96 [2.400]	48	8	4-102084-2
9	60.96 [2.400]	63.50 [2.500]	50	8	4-102084-1
9	63.50 [2.500]	66.04 [2.600]	52	8	4-102084-0
9	66.04 [2.600]	68.58 [2.700]	54	8	3-102084-9
9	68.58 [2.700]	71.12 [2.800]	56	8	3-102084-8
9	71.12 [2.800]	73.66 [2.900]	58	8	3-102084-7
9	73.66 [2.900]	76.20 [3.000]	60	8	3-102084-6
9	76.20 [3.000]	78.74 [3.100]	62	8	3-102084-5
9	78.74 [3.100]	81.28 [3.200]	64	8	3-102084-4
9	81.28 [3.200]	83.82 [3.300]	66	8	3-102084-3
9	83.82 [3.300]	86.36 [3.400]	68	8	3-102084-2
9	86.36 [3.400]	88.90 [3.500]	70	8	3-102084-1
9	88.90 [3.500]	91.44 [3.600]	72	8	3-102084-0
9	91.44 [3.600]	93.98 [3.700]	74	8	2-102084-9
9	93.98 [3.700]	96.52 [3.800]	76	8	2-102084-8
9	96.52 [3.800]	99.06 [3.900]	78	8	2-102084-7
9	99.06 [3.900]	101.60 [4.000]	80	8	2-102084-6
9	101.60 [4.000]	104.14 [4.100]	82	8	2-102084-5
9	104.14 [4.100]	106.68 [4.200]	84	8	2-102084-4
9	106.68 [4.200]	109.22 [4.300]	86	8	2-102084-3
9	109.22 [4.300]	111.76 [4.400]	88	8	2-102084-2
9	111.76 [4.400]	114.30 [4.500]	90	8	2-102084-1
9	114.30 [4.500]	116.84 [4.600]	92	8	2-102084-0
9	116.84 [4.600]	119.38 [4.700]	94	8	1-102084-9
9	119.38 [4.700]	121.92 [4.800]	96	8	1-102084-8
9	121.92 [4.800]	124.46 [4.900]	98	8	1-102084-7
9	124.46 [4.900]	127.00 [5.000]	100	8	1-102084-6
9	127.00 [5.000]	129.54 [5.100]	102	8	1-102084-5
9	129.54 [5.100]	132.08 [5.200]	104	8	1-102084-4
9	132.08 [5.200]	134.62 [5.300]	106	8	1-102084-3
9	134.62 [5.300]	137.16 [5.400]	108	8	1-102084-2
9	137.16 [5.400]	139.70 [5.500]	110	8	1-102084-1
9	139.70 [5.500]	142.24 [5.600]	112	8	1-102084-0
9	142.24 [5.600]	144.78 [5.700]	114	8	102084-9
9	144.78 [5.700]	147.32 [5.800]	116	8	102084-8
9	147.32 [5.800]	149.86 [5.900]	118	8	102084-7
9	149.86 [5.900]	152.40 [6.000]	120	8	102084-6
9	152.40 [6.000]	154.94 [6.100]	122	8	102084-5
9	154.94 [6.100]	157.48 [6.200]	124	8	102084-4
9	157.48 [6.200]	160.02 [6.300]	126	8	102084-3
9	160.02 [6.300]	162.56 [6.400]	128	8	102084-2
9	162.56 [6.400]	165.10 [6.500]	130	8	102084-1

THIS DRAWING IS A CONTROLLED DOCUMENT.

DR: R BROWN 03JUN02
CHK: J OLSON 03JUN02
APVO: J OLSON 03JUN02

NAME: AMPMODU MOD II RECEPTACLE ASSEMBLY, HORIZONTAL, .100 CL, 2 ROW, CLOSED-ENTRY, SHORT POINT OF CONTACT, END-TO-END STACKABLE

PRODUCT SPEC: APPLICATION SPEC

SIZE: A1
WEIGHT: 100779
SCALE: 5:1
SHEET: 1 OF 1
REV: Y4

TE Connectivity

NO. OF POSN: 130
ASSEMBLY PART NUMBER: 102084-1