



Chipsmall Limited consists of a professional team with an average of over 10 year of expertise in the distribution of electronic components. Based in Hongkong, we have already established firm and mutual-benefit business relationships with customers from,Europe,America and south Asia,supplying obsolete and hard-to-find components to meet their specific needs.

With the principle of “Quality Parts,Customers Priority,Honest Operation,and Considerate Service”,our business mainly focus on the distribution of electronic components. Line cards we deal with include Microchip,ALPS,ROHM,Xilinx,Pulse,ON,Everlight and Freescale. Main products comprise IC,Modules,Potentiometer,IC Socket,Relay,Connector.Our parts cover such applications as commercial,industrial, and automotives areas.

We are looking forward to setting up business relationship with you and hope to provide you with the best service and solution. Let us make a better world for our industry!



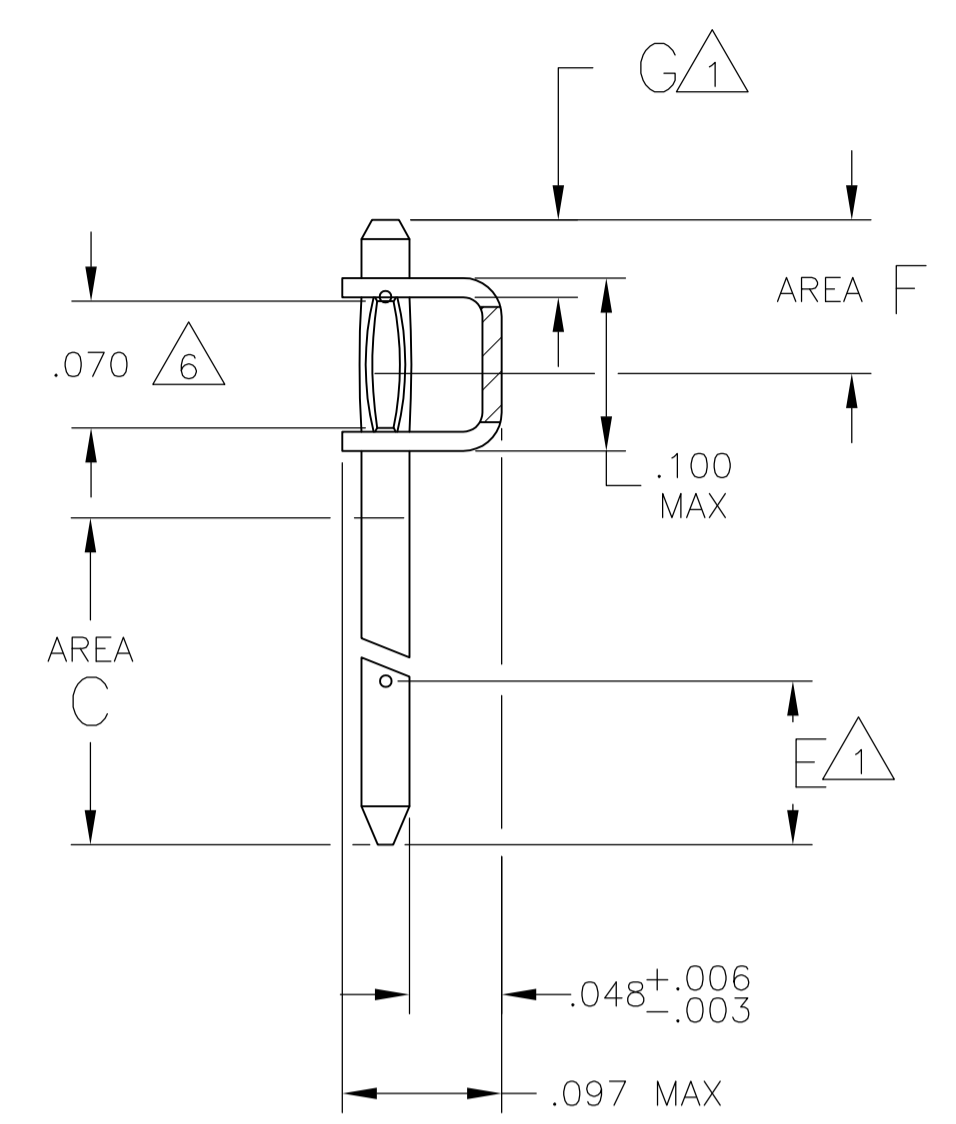
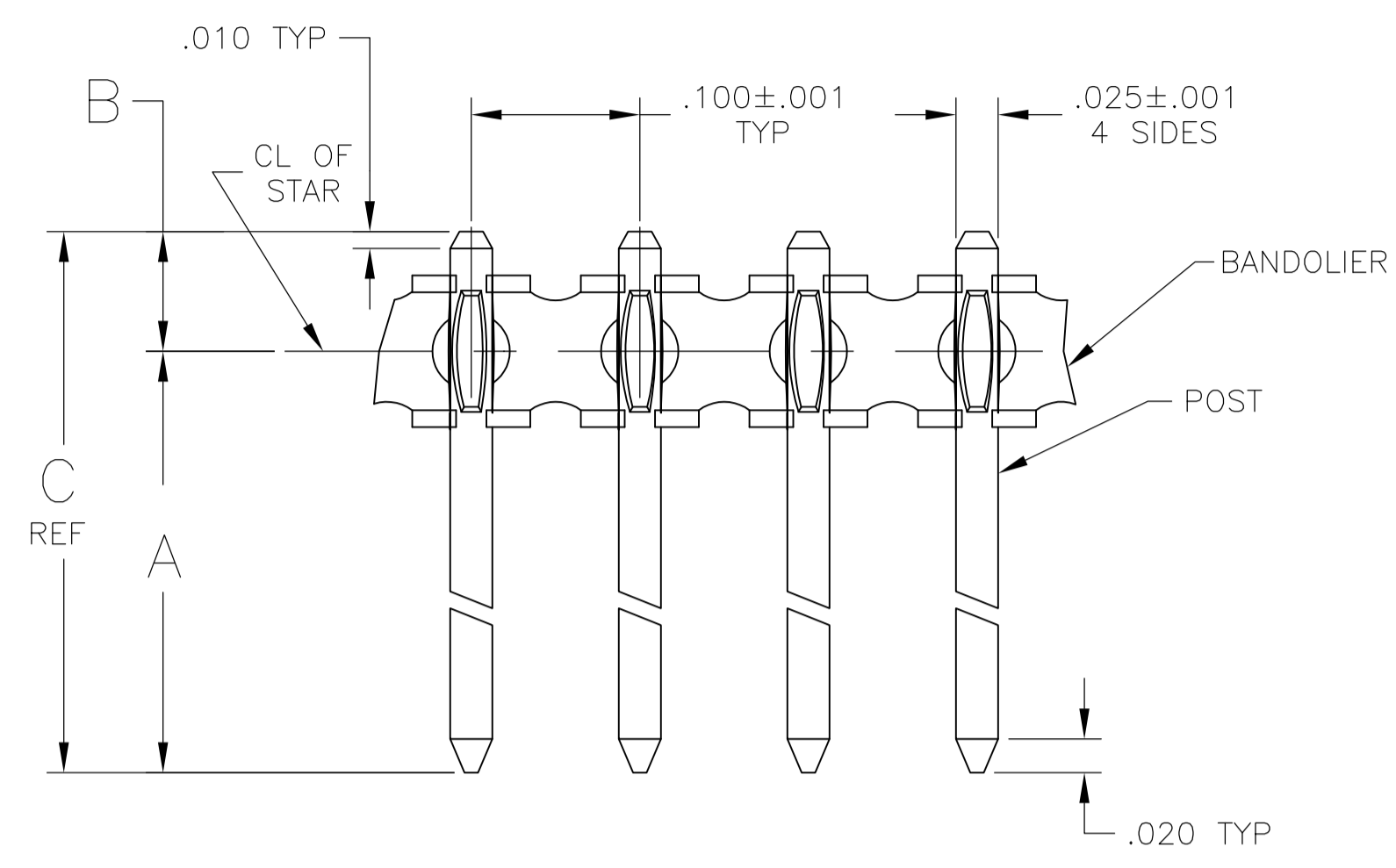
Contact us

Tel: +86-755-8981 8866 Fax: +86-755-8427 6832

Email & Skype: info@chipsmall.com Web: www.chipsmall.com

Address: A1208, Overseas Decoration Building, #122 Zhenhua RD., Futian, Shenzhen, China





- 1 POINT OF MEASUREMENT FOR PLATING THICKNESS
- 2 .000030 GOLD ON AREA D, .000100 - .000200 MATTE TIN-LEAD ON AREA F, ALL OVER .000050 NICKEL ENTIRE POST
- 3 .000100 - .000200 BRIGHT TIN-LEAD OVER .000050 NICKEL ENTIRE POST
- 4. RECOMMENDED P.C.BOARD HOLE SIZE:

P C BOARD THICKNESS	PLATED HOLE SIZE	UNPLATED HOLE SIZE
.062	.034 ± .002	.036 ± .002
.093	.034 ± .002	.036 ± .002
.125	.034 ± .002	.036 ± .002

- 5 .000015 GOLD ON AREA D, .000100 - .000200 MATTE TIN-LEAD ON AREA F, ALL OVER .000050 NICKEL ENTIRE POST.
- 6 DIMENSION PERTAINS TO THE LENGTH OF THE INTERFERENCE AREA OF THE STAR.
- 7 PRELIMINARY PART - NOT RELEASED FOR PRODUCTION.
- 8 .000030 GOLD ON AREA D, .000100-.000200 MATTE TIN ON AREA F. ALL OVER .000050 NICKEL ENTIRE POST.
- 9 .000100-.000200 MATTE TIN OVER .000050 NICKEL ENTIRE PAST.
- 10 .000015 GOLD ON AREA D, .000100-.000200 MATTE TIN ON AREA F, ALL OVER .000050 NICKEL ENTIRE POST.
- 11 ROHS 2002/95/EC COMPLIANT.
- 12 OBSOLETE PARTS: OBSOLETE CIS STREAMLINING PER D.RENAUD/D.SINISI

	7	.245	10	.015	.080	.080	.230	.451	.071	.380	11	6-103577-9
12	OBSOLETE	.235	10	.015	.080	.100	.185	.341	.071	.270	11	6-103577-7
		.283	9	.015	.080	.100	.185	.389	.071	.318	11	6-103577-5
12	OBSOLETE	.318	10	.015	.080	.100	.200	.424	.071	.353	11	6-103577-3
		.235	9	-	-	-	-	.341	.071	.270	11	6-103577-1
12	OBSOLETE	.283	9	-	-	-	-	.389	.071	.318	11	5-103577-9
12	OBSOLETE	.318	9	-	-	-	-	.424	.071	.353	11	5-103577-7
		.235	8	.015	.080	.100	.185	.341	.071	.270	11	5-103577-5
		.283	8	.015	.080	.100	.185	.389	.071	.318	11	5-103577-3
		.318	8	.015	.080	.100	.200	.424	.071	.353	11	5-103577-1
7		.245	5	.015	.080	.080	.230	.451	.071	.380		1-103577-9
		.235	5	.015	.080	.100	.185	.341	.071	.270		1-103577-7
		.283	3	.015	.080	.100	.185	.389	.071	.318		1-103577-5
		.318	5	.015	.080	.100	.200	.424	.071	.353		1-103577-3
		.235	3	-	-	-	-	.341	.071	.270		1-103577-1
12	OBSOLETE	.283	3	-	-	-	-	.389	.071	.318		103577-9
		.318	3	-	-	-	-	.424	.071	.353		103577-7
		.235	2	.015	.080	.100	.185	.341	.071	.270		103577-5
		.283	2	.015	.080	.100	.185	.389	.071	.318		103577-3
		.318	2	.015	.080	.100	.200	.424	.071	.353		103577-1
		MATING HEIGHT ABOVE BOARD (REF)	FINISH	G	F	E	D	C	B	A		ASSEMBLY PART NUMBER

THIS DRAWING IS A CONTROLLED DOCUMENT.

DIMENSIONS: INCHES	TOLERANCES UNLESS OTHERWISE SPECIFIED:	DIN G DOUTY 12AUG87	APVD R FEIDT 12SEP87	NAME
0 PLC ± -	1 PLC ± -	2 PLC ± -	3 PLC ± .005	4 PLC ± -
ANGLES ± -				
MATERIAL BANDOLIER - BRASS	FINISH BANDOLIER - NONE	WEIGHT	SIZE A1	CAGE CODE 00779
POST-PHOS BRONZE	POST-SEE TABLE	CUSTOMER DRAWING	SCALE 10:1	SHEET 1 OF 1

STE TE Connectivity

ASSEMBLY, BANDOLIER, .100 CL, .025 SQUARE POSTS

RESTRICTED TO REV G3