



Chipsmall Limited consists of a professional team with an average of over 10 year of expertise in the distribution of electronic components. Based in Hongkong, we have already established firm and mutual-benefit business relationships with customers from,Europe,America and south Asia,supplying obsolete and hard-to-find components to meet their specific needs.

With the principle of "Quality Parts,Customers Priority,Honest Operation,and Considerate Service",our business mainly focus on the distribution of electronic components. Line cards we deal with include Microchip,ALPS,ROHM,Xilinx,Pulse,ON,Everlight and Freescale. Main products comprise IC,Modules,Potentiometer,IC Socket,Relay,Connector.Our parts cover such applications as commercial,industrial, and automotives areas.

We are looking forward to setting up business relationship with you and hope to provide you with the best service and solution. Let us make a better world for our industry!



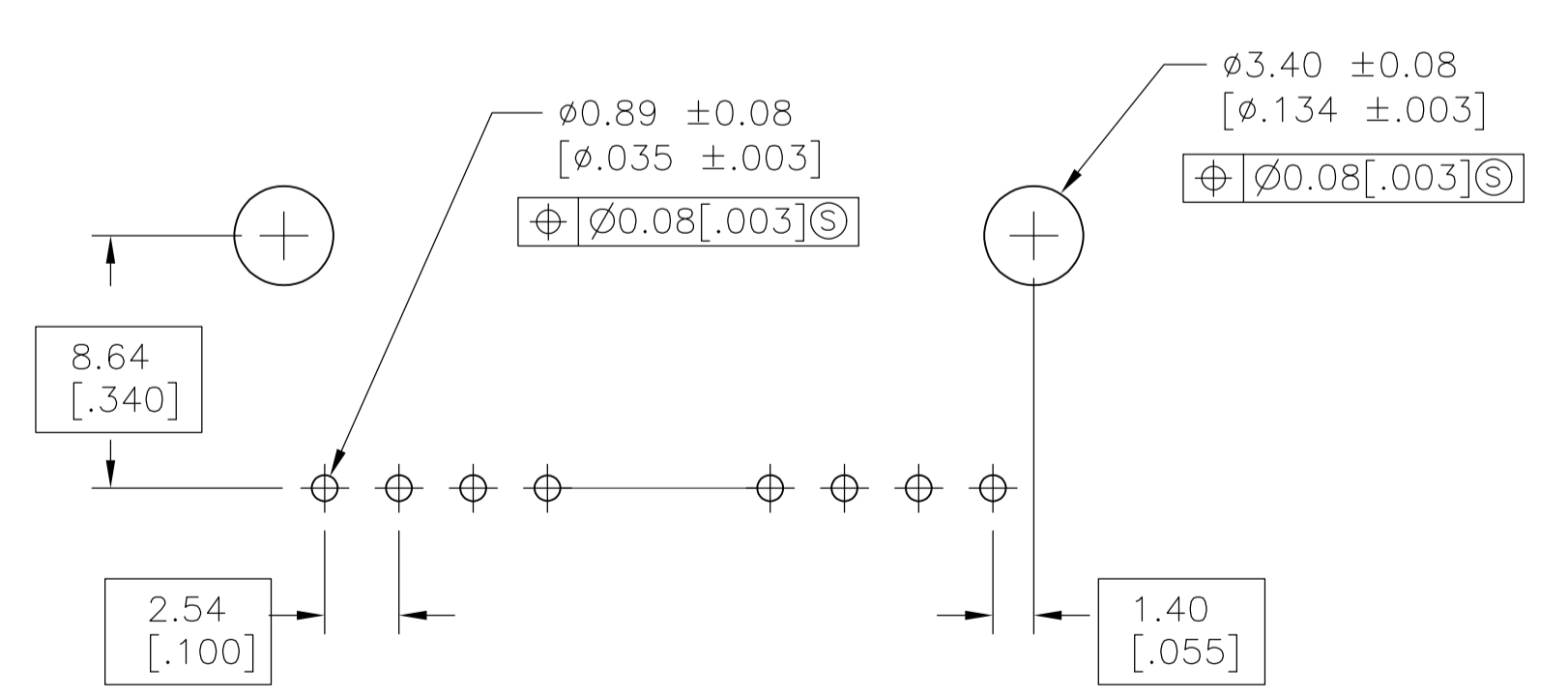
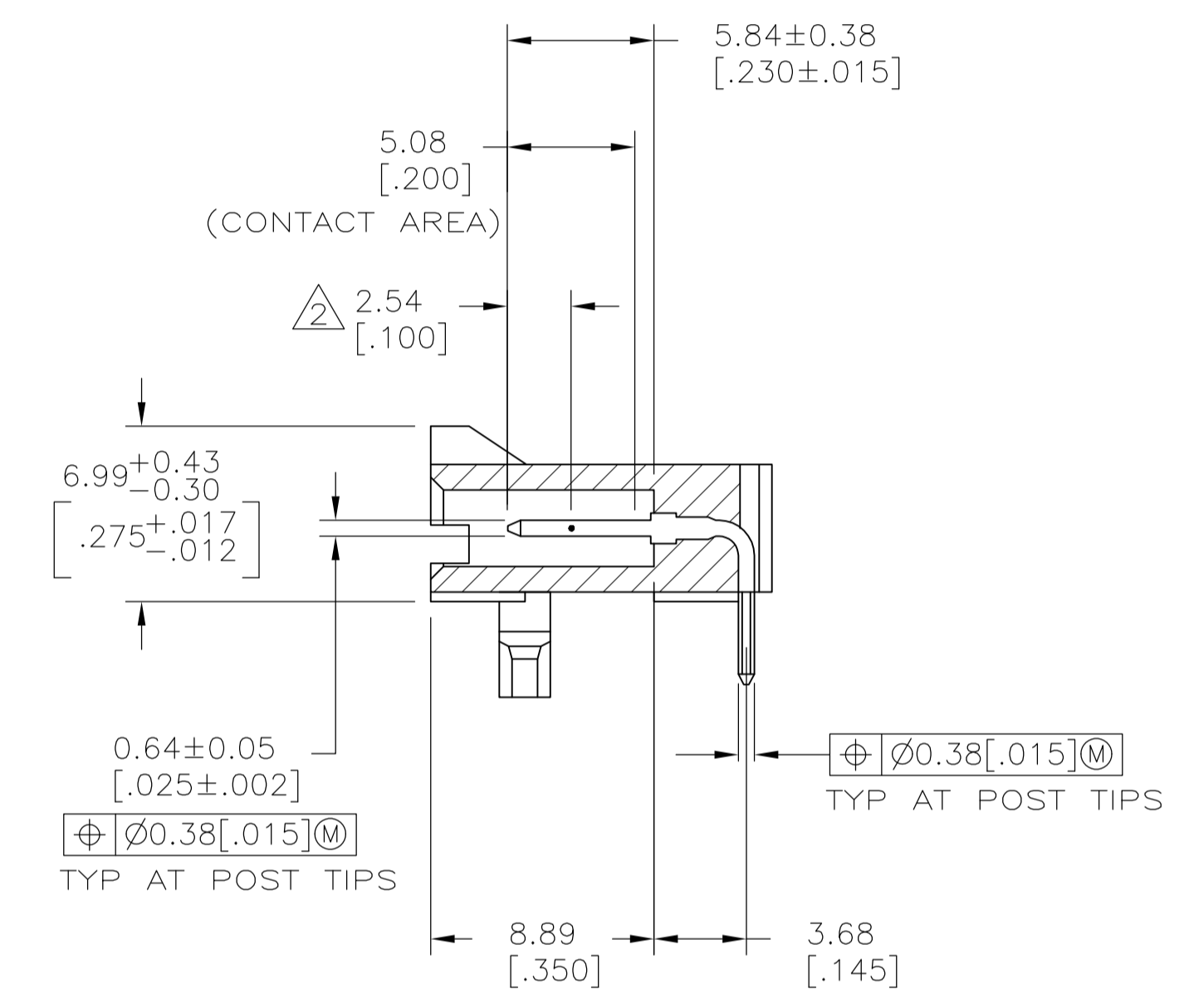
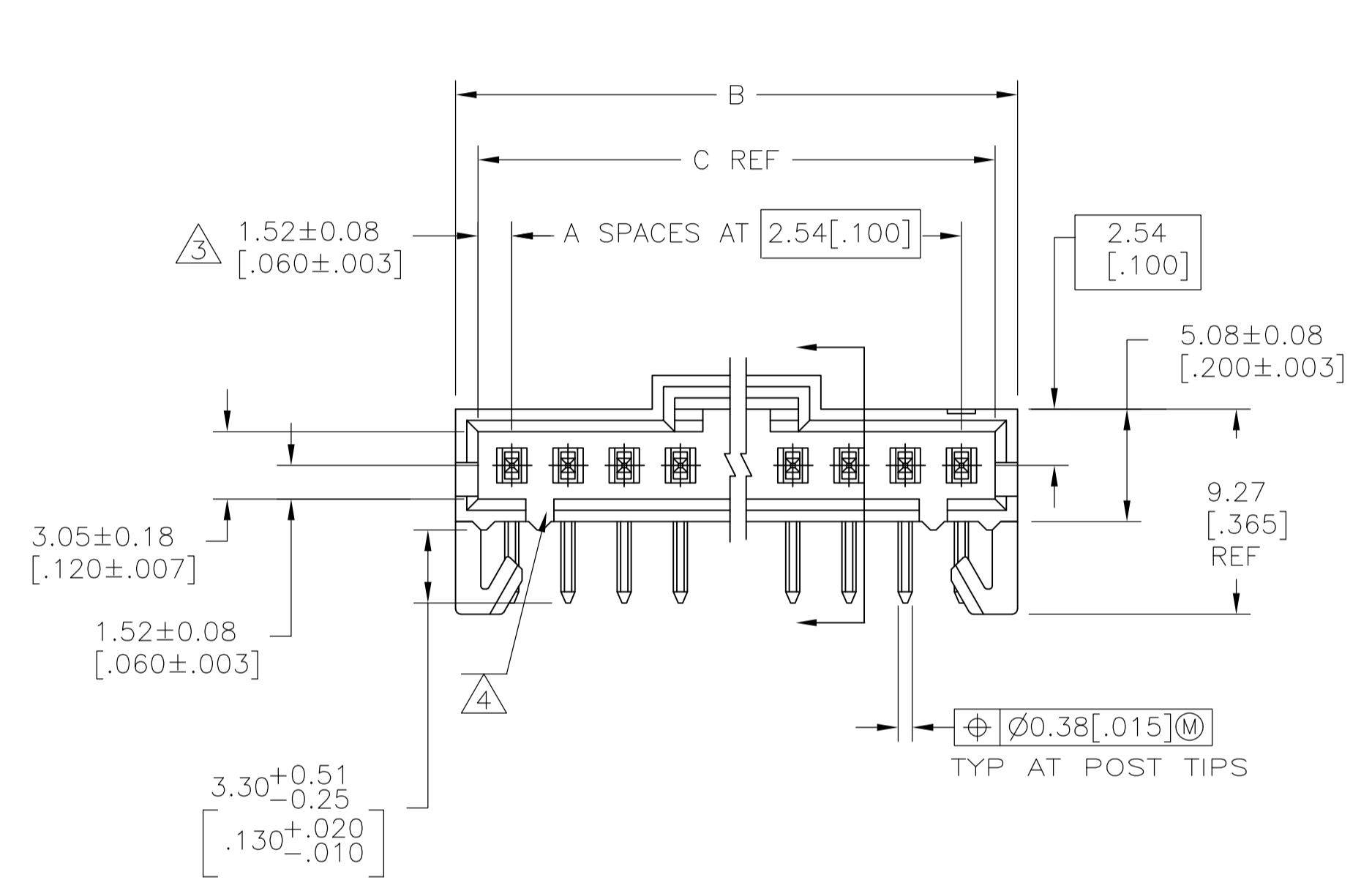
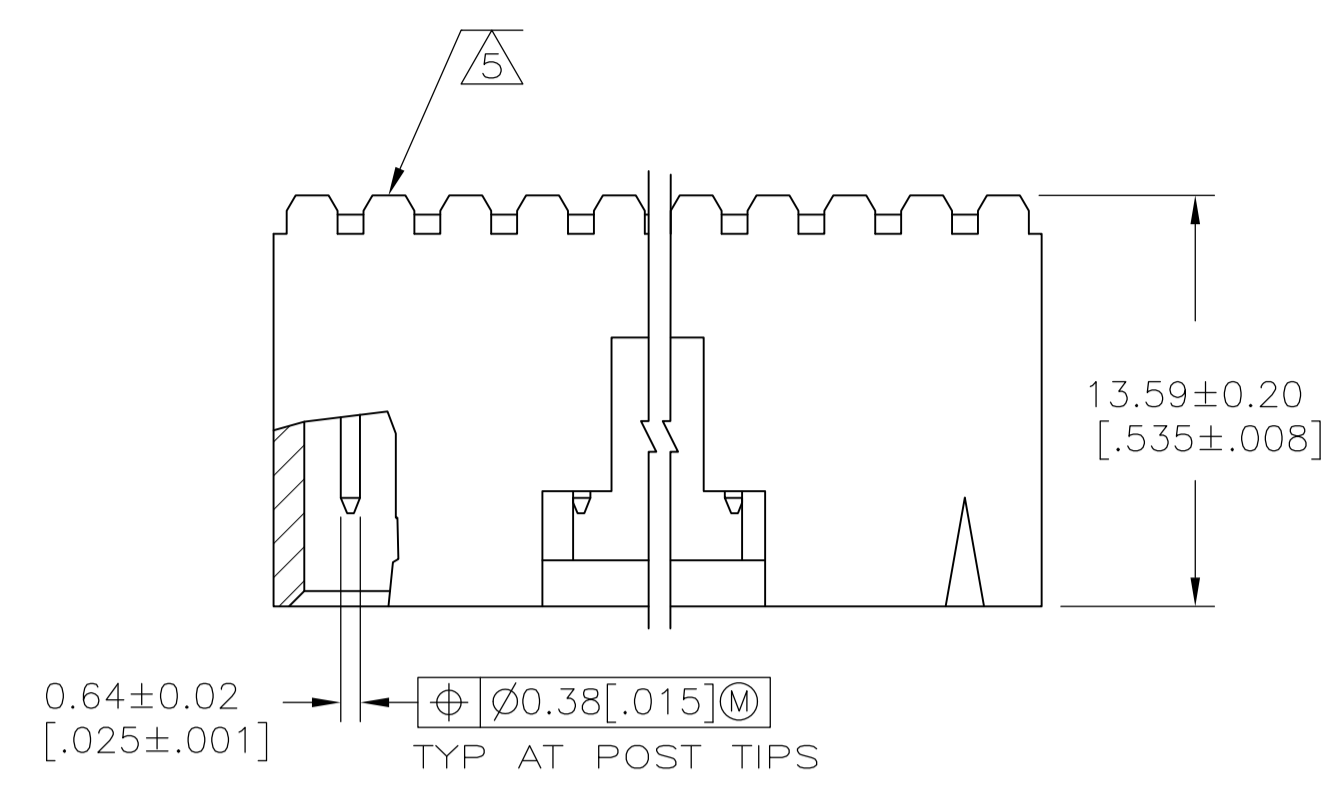
## Contact us

Tel: +86-755-8981 8866 Fax: +86-755-8427 6832

Email & Skype: info@chipsmall.com Web: www.chipsmall.com

Address: A1208, Overseas Decoration Building, #122 Zhenhua RD., Futian, Shenzhen, China





RECOMMENDED HOLE LAYOUT

THIS DRAWING IS A CONTROLLED DOCUMENT.		DWN R BROWN 09FEB01	TE Connectivity
DIMENSIONS: mm		CHK K WRIGHT 09FEB01	
TOLERANCES UNLESS OTHERWISE SPECIFIED:		APVD K WRIGHT 09FEB01	NAME
0. PLC ± - 1. PLC ± - 2. PLC ± 0.13 [.005] 3. PLC ± - 4. PLC ± - ANGLES ± -		PRODUCT SPEC 108-25034	HDR ASSY, RTANG, SINGLE ROW 2.54 [.100] CL, 0.64 [.025] SQ POST, WITH PLZN & HOLD DOWNS, AMPMODU MTE
MATERIAL SEE NOTE 7		FINISH SEE TABLE	APPLICATION SPEC 114-25026
		WEIGHT -	SIZE A1
		CUSTOMER DRAWING	SCALE 4:1 SHEET 1 OF 2 REV AC3

- ① .000100 BRIGHT TIN-LEAD OVER .000050 NICKEL.
- ② POINT OF MEASUREMENT FOR PLATING THICKNESS.
- ③ THE NOTED DIMENSIONS APPLY AT THE INTERSECTION OF THE POST AND THE HOUSING.
- ④ ON ASSEMBLIES WITH FOUR OR MORE POSITIONS, TWO POLARIZATION SLOTS.  
ON ASSEMBLIES WITH TWO OR THREE POSITIONS, ONE POLARIZATION SLOT.
- ⑤ AMP TRADEMARK MOLDED ON THIS SURFACE.
- 6. FOR USE WITH 1.57±0.20[.062±.008] PRINTED CIRCUIT BOARD.
- △ MATERIAL: HOUSING- FLAME RETARDANT THERMOPLASTIC, COLOR-BLACK.  
POSTS- BRASS.
- ⑧ .000100 BRIGHT TIN OVER .000050 NICKEL.
- ⑨ PRELIMINARY PART - NOT RELEASED FOR PRODUCTION.
- ⑩ .000100 MATTE TIN OVER .000050 NICKEL.
- ⑪ HIGH TEMPERATURE CONFIGURATION
- ⑫ OBSOLETE PARTS: OBSOLETE CIS STREAMLINING PER D.RENAUD/D.SINISI

		64.01 [2.520]	66.04 [2.600]	24	25	⑫ 7-103672-4
		61.47 [2.420]	63.50 [2.500]	23	24	⑫ 7-103672-3
		58.93 [2.320]	60.96 [2.400]	22	23	⑫ 7-103672-2
		56.39 [2.220]	58.42 [2.300]	21	22	⑫ 7-103672-1
		53.85 [2.120]	55.88 [2.200]	20	21	⑫ 7-103672-0
		51.31 [2.020]	53.34 [2.100]	19	20	6-103672-9
		48.77 [1.920]	50.80 [2.000]	18	19	⑫ 6-103672-8
		46.23 [1.820]	48.26 [1.900]	17	18	⑫ 6-103672-7
		43.69 [1.720]	45.72 [1.800]	16	17	⑫ 6-103672-6
		41.15 [1.620]	43.18 [1.700]	15	16	6-103672-5
		38.61 [1.520]	40.64 [1.600]	14	15	⑫ 6-103672-4
		36.07 [1.420]	38.10 [1.500]	13	14	⑫ 6-103672-3
		33.53 [1.320]	35.56 [1.400]	12	13	⑫ 6-103672-2
		30.99 [1.220]	33.02 [1.300]	11	12	6-103672-1
		28.45 [1.120]	30.48 [1.200]	10	11	⑫ 6-103672-0
		25.91 [1.020]	27.94 [1.100]	9	10	5-103672-9
		23.37 [.920]	25.40 [1.000]	8	9	⑫ 5-103672-8
		20.83 [.820]	22.86 [.900]	7	8	5-103672-7
		18.29 [.720]	20.32 [.800]	6	7	5-103672-6
		15.75 [.620]	17.78 [.700]	5	6	5-103672-5
		13.21 [.520]	15.24 [.600]	4	5	5-103672-4
		10.67 [.420]	12.70 [.500]	3	4	5-103672-3
		8.13 [.320]	10.16 [.400]	2	3	5-103672-2
		5.59 [.220]	7.62 [.300]	1	2	5-103672-1
REMARKS	PLATING	C	B	A	NO. OF POSN	PART NO.

		25.91 [1.020]	27.94 [1.100]	9	10	3-103672-0
		15.75 [.620]	17.78 [.700]	5	6	2-103672-9
		5.59 [.220]	7.62 [.300]	1	2	2-103672-8
		13.21 [.520]	15.24 [.600]	4	5	2-103672-7
		10.67 [.420]	12.70 [.500]	3	4	2-103672-6
		8.13 [.320]	10.16 [.400]	2	3	2-103672-5
		64.01 [2.520]	66.04 [2.600]	24	25	⑫ 2-103672-4
		61.47 [2.420]	63.50 [2.500]	23	24	⑫ 2-103672-3
		58.93 [2.320]	60.96 [2.400]	22	23	⑫ 2-103672-2
		56.39 [2.220]	58.42 [2.300]	21	22	⑫ 2-103672-1
		53.85 [2.120]	55.88 [2.200]	20	21	⑫ 2-103672-0
		51.31 [2.020]	53.34 [2.100]	19	20	⑫ 1-103672-9
		48.77 [1.920]	50.80 [2.000]	18	19	⑫ 1-103672-8
		46.23 [1.820]	48.26 [1.900]	17	18	⑫ 1-103672-7
		43.69 [1.720]	45.72 [1.800]	16	17	⑫ 1-103672-6
		41.15 [1.620]	43.18 [1.700]	15	16	1-103672-5
		38.61 [1.520]	40.64 [1.600]	14	15	1-103672-4
		36.07 [1.420]	38.10 [1.500]	13	14	⑫ 1-103672-3
		33.53 [1.320]	35.56 [1.400]	12	13	⑫ 1-103672-2
		30.99 [1.220]	33.02 [1.300]	11	12	1-103672-1
		28.45 [1.120]	30.48 [1.200]	10	11	1-103672-0
		25.91 [1.020]	27.94 [1.100]	9	10	103672-9
		23.37 [.920]	25.40 [1.000]	8	9	103672-8
		20.83 [.820]	22.86 [.900]	7	8	103672-7
		18.29 [.720]	20.32 [.800]	6	7	103672-6
		15.75 [.620]	17.78 [.700]	5	6	103672-5
		13.21 [.520]	15.24 [.600]	4	5	103672-4
		10.67 [.420]	12.70 [.500]	3	4	103672-3
		8.13 [.320]	10.16 [.400]	2	3	103672-2
		5.59 [.220]	7.62 [.300]	1	2	103672-1
REMARKS	PLATING	C	B	A	NO. OF POSN	PART NO.

THIS DRAWING IS A CONTROLLED DOCUMENT.

DIMENSIONS: mm	TOLERANCES UNLESS OTHERWISE SPECIFIED:	DIN R BROWN 09FEB01	CHK K WRIGHT 09FEB01	APVD K WRIGHT 09FEB01	NAME
0 PLC ± -	1 PLC ± -	2 PLC ± 0.13[.005]	3 PLC ± -	4 PLC ± -	ANGLES ± -
MATERIAL SEE NOTE 7	FINISH SEE TABLE	WEIGHT	SIZE 114-25026	CAGE CODE A100779	DRAWING NO. 103672
CUSTOMER DRAWING			SCALE 4:1	SHEET 2 OF 2	REV AC3

**STE** TE Connectivity

HDR ASSY, RTANG, SINGLE ROW  
2.54[.100] CL, 0.64[.025] SQ POST,  
WITH PLZN & HOLD DOWNS, AMPMODU MTE