



Chipsmall Limited consists of a professional team with an average of over 10 year of expertise in the distribution of electronic components. Based in Hongkong, we have already established firm and mutual-benefit business relationships with customers from,Europe,America and south Asia,supplying obsolete and hard-to-find components to meet their specific needs.

With the principle of “Quality Parts,Customers Priority,Honest Operation,and Considerate Service”,our business mainly focus on the distribution of electronic components. Line cards we deal with include Microchip,ALPS,ROHM,Xilinx,Pulse,ON,Everlight and Freescale. Main products comprise IC,Modules,Potentiometer,IC Socket,Relay,Connector.Our parts cover such applications as commercial,industrial, and automotives areas.

We are looking forward to setting up business relationship with you and hope to provide you with the best service and solution. Let us make a better world for our industry!



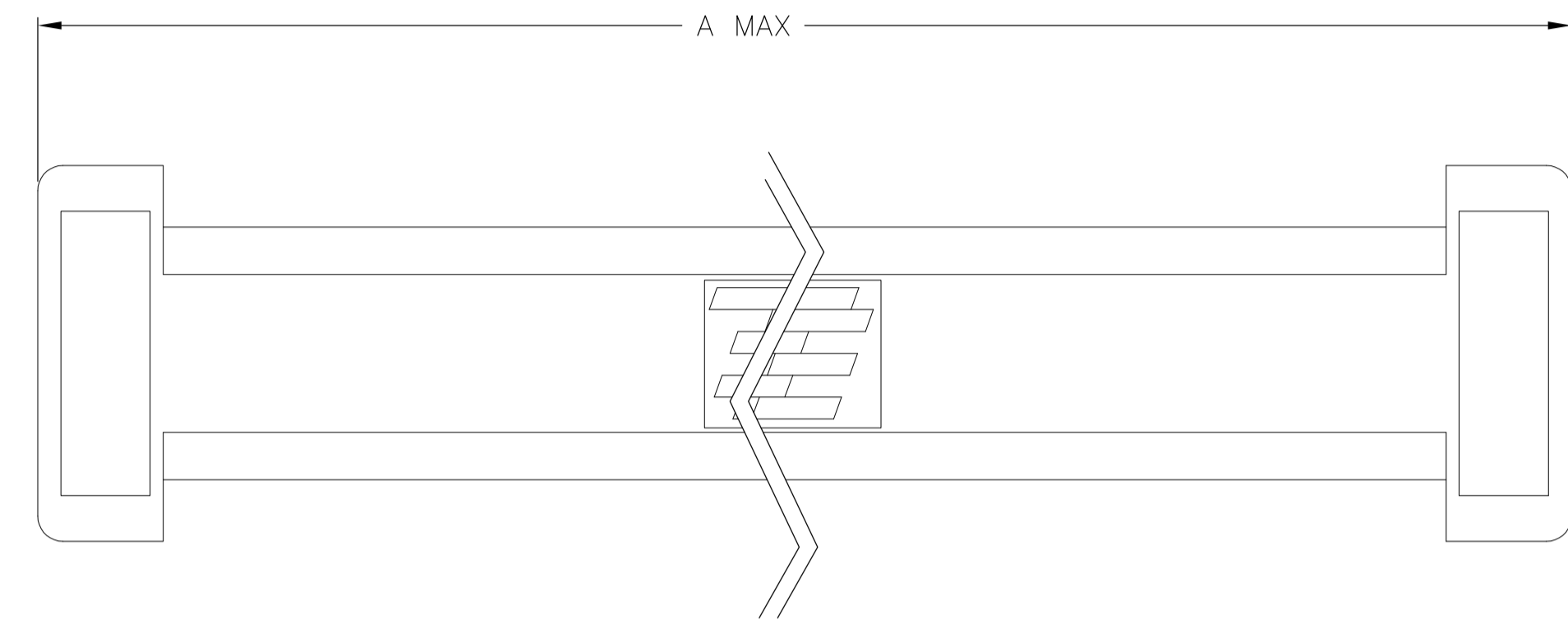
## Contact us

Tel: +86-755-8981 8866 Fax: +86-755-8427 6832

Email & Skype: info@chipsmall.com Web: www.chipsmall.com

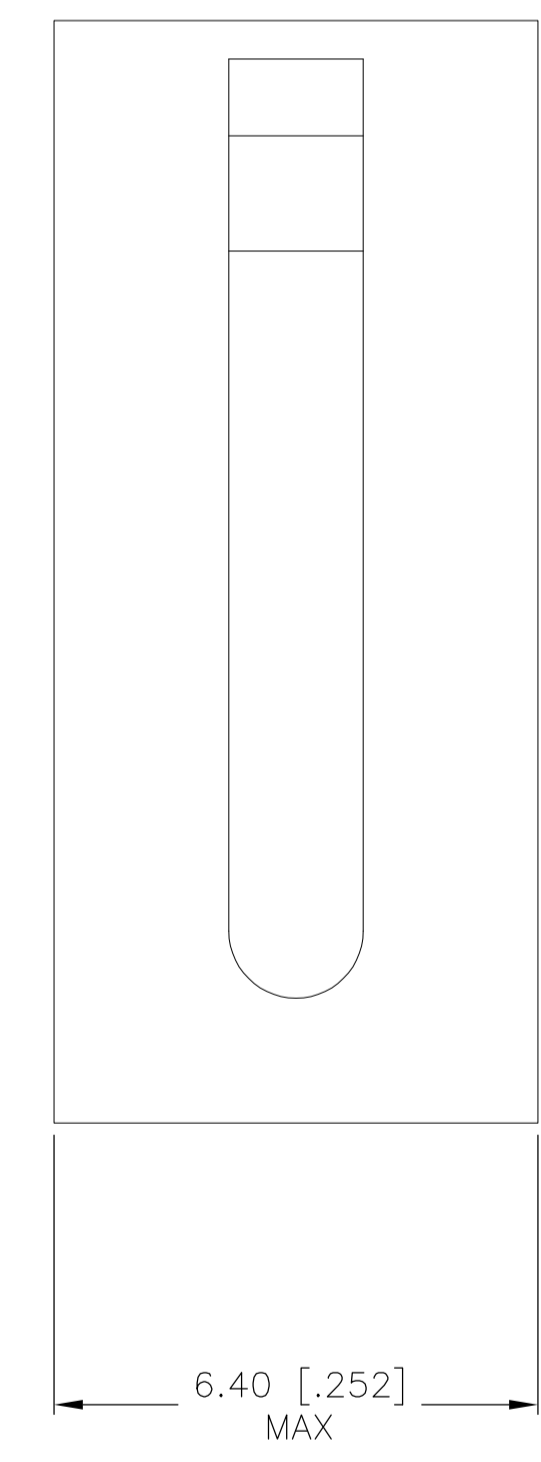
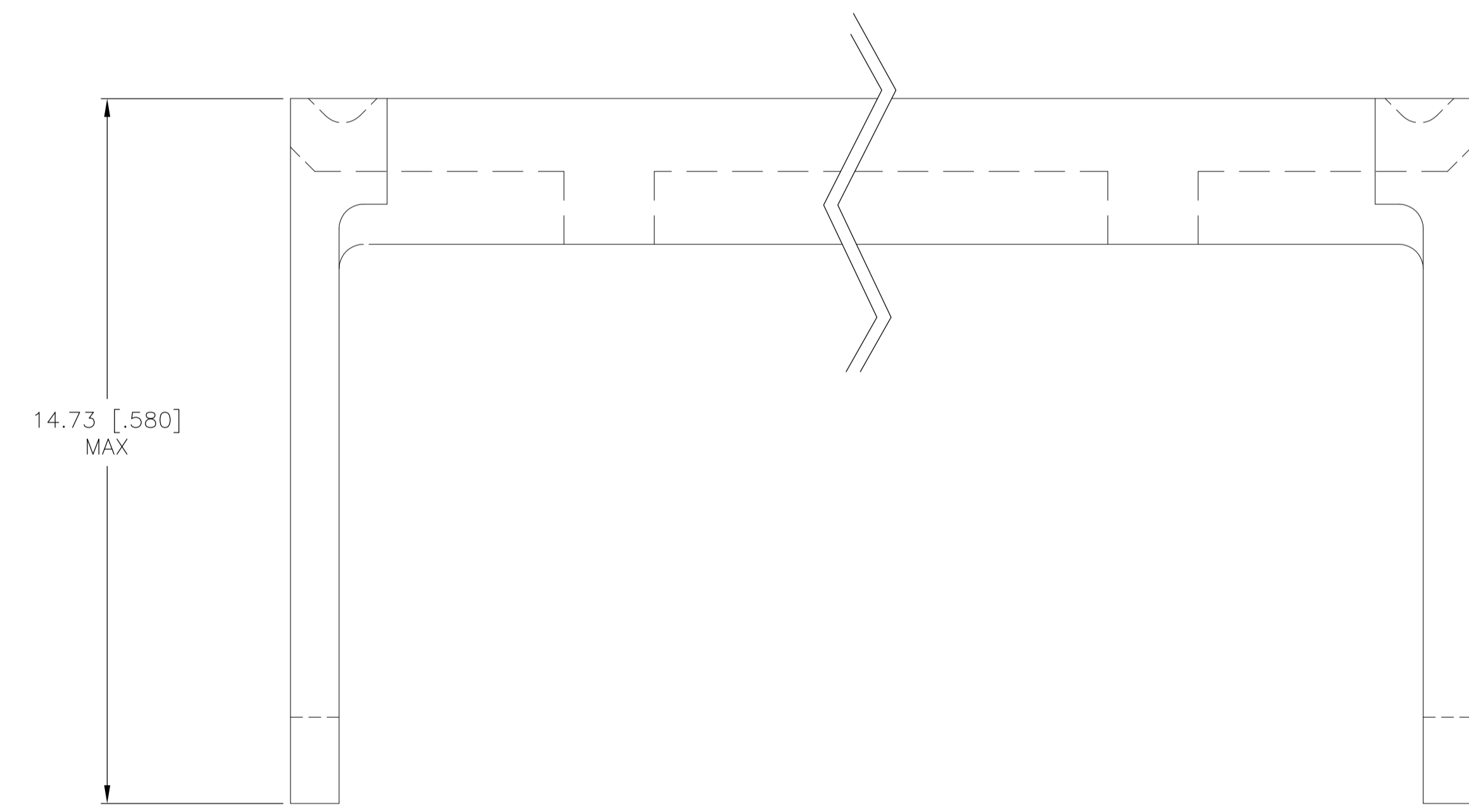
Address: A1208, Overseas Decoration Building, #122 Zhenhua RD., Futian, Shenzhen, China





NOTES: UNLESS OTHERWISE SPECIFIED.

1 MATERIAL: GLASS REINFORCED THERMOPLASTIC RATED 94V-0. COLOR: BLUE.



67.87 [2.672]	50	609-5031	7-1437021-9
55.17 [2.172]	40	609-4031	5-1437021-3
47.55 [1.872]	34	609-3431	3-1437021-0
37.39 [1.472]	26	609-2631	1-1437021-0
34.85 [1.372]	24	609-2431	9-1437020-4
29.77 [1.172]	20	609-2031	8-1437020-4
24.69 [0.972]	16	609-1631	6-1437020-4
22.15 [0.872]	14	609-1431	4-1437020-9
17.07 [0.672]	10	609-1031	3-1437020-5
11.99 [0.472]	6	609-0631	2-1437020-1
<b>A</b>	<b>NO OF POSN</b>	<b>T&amp;B (REF. ONLY)</b>	<b>TE CONNECTIVITY PART NUMBER</b>

THIS DRAWING IS A CONTROLLED DOCUMENT.		DRN S. SWAN	17FEB78	TE Connectivity	
DIMENSIONS: mm [INCHES]		TOLERANCES UNLESS OTHERWISE SPECIFIED:		STANDARD STRAIN RELIEF, FEMALE SOCKET CONNECTOR	
0 PLC ± -		1 PLC ± -		PRODUCT SPEC	
1 PLC ± -		2 PLC ± .01		APPLICATION SPEC	
2 PLC ± .01		3 PLC ± .005		SIZE CAGE CODE DRAWING NO	
3 PLC ± .005		4 PLC ± -		WEIGHT	
4 PLC ± -		ANGLES ± ° 0'		A1 00779 C=2-1437020-1	
MATERIAL 1		FINISH -		CUSTOMER DRAWING SCALE 10:1 SHEET 1 OF 1 REV C1	