



Chipsmall Limited consists of a professional team with an average of over 10 year of expertise in the distribution of electronic components. Based in Hongkong, we have already established firm and mutual-benefit business relationships with customers from,Europe,America and south Asia,supplying obsolete and hard-to-find components to meet their specific needs.

With the principle of "Quality Parts,Customers Priority,Honest Operation,and Considerate Service",our business mainly focus on the distribution of electronic components. Line cards we deal with include Microchip,ALPS,ROHM,Xilinx,Pulse,ON,Everlight and Freescale. Main products comprise IC,Modules,Potentiometer,IC Socket,Relay,Connector.Our parts cover such applications as commercial,industrial, and automotives areas.

We are looking forward to setting up business relationship with you and hope to provide you with the best service and solution. Let us make a better world for our industry!



Contact us

Tel: +86-755-8981 8866 Fax: +86-755-8427 6832

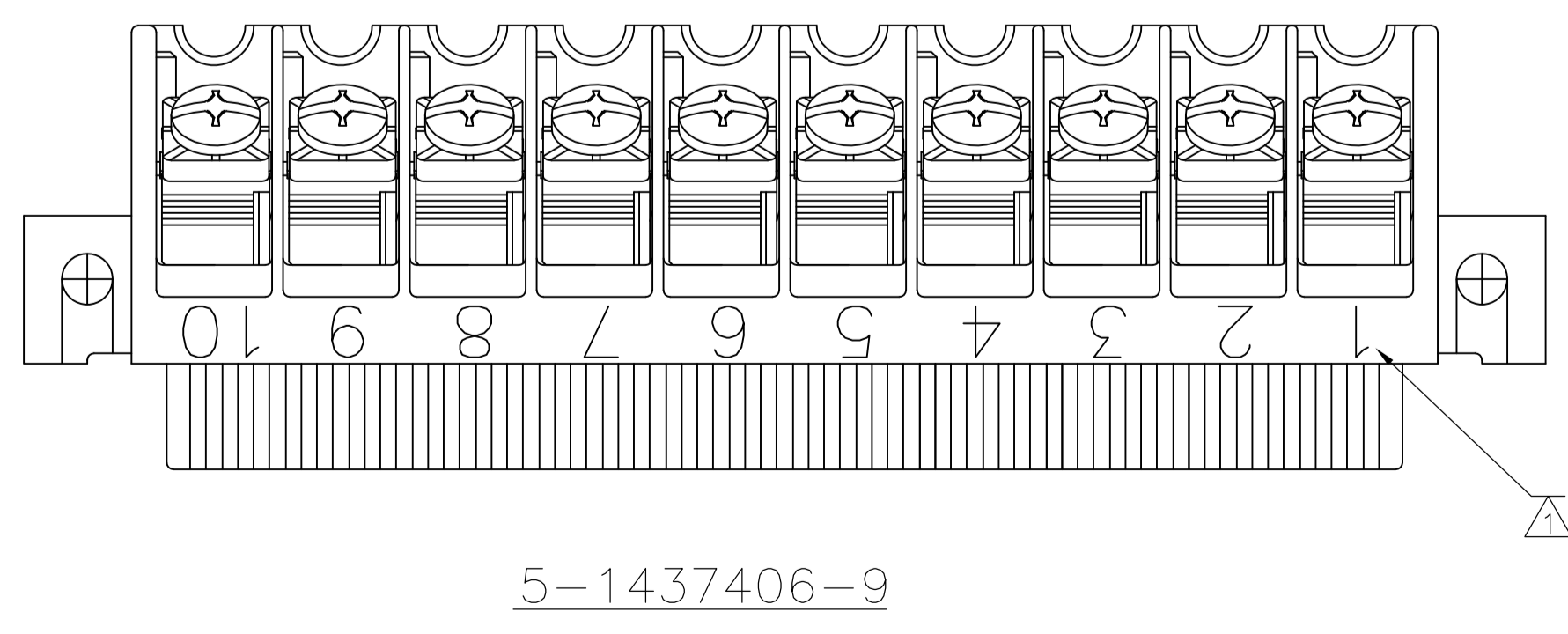
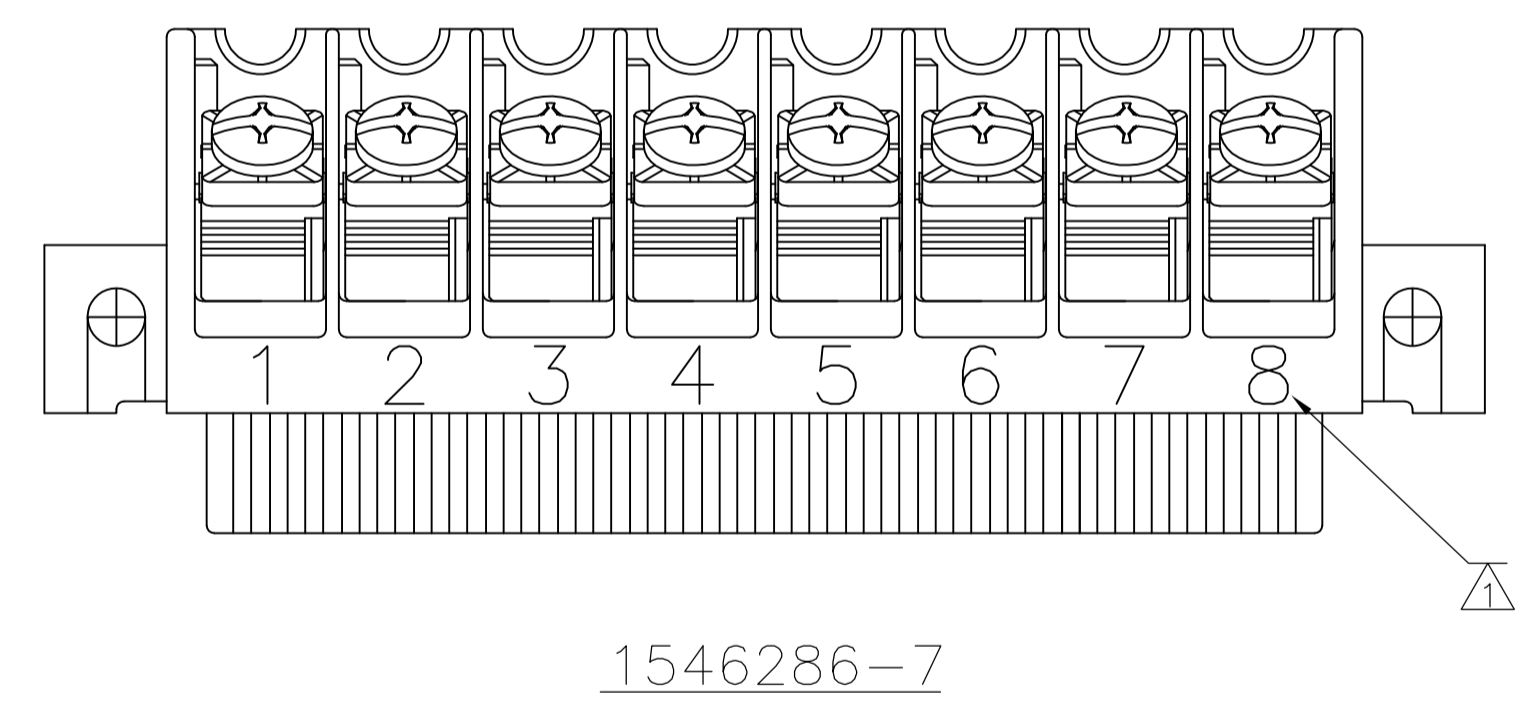
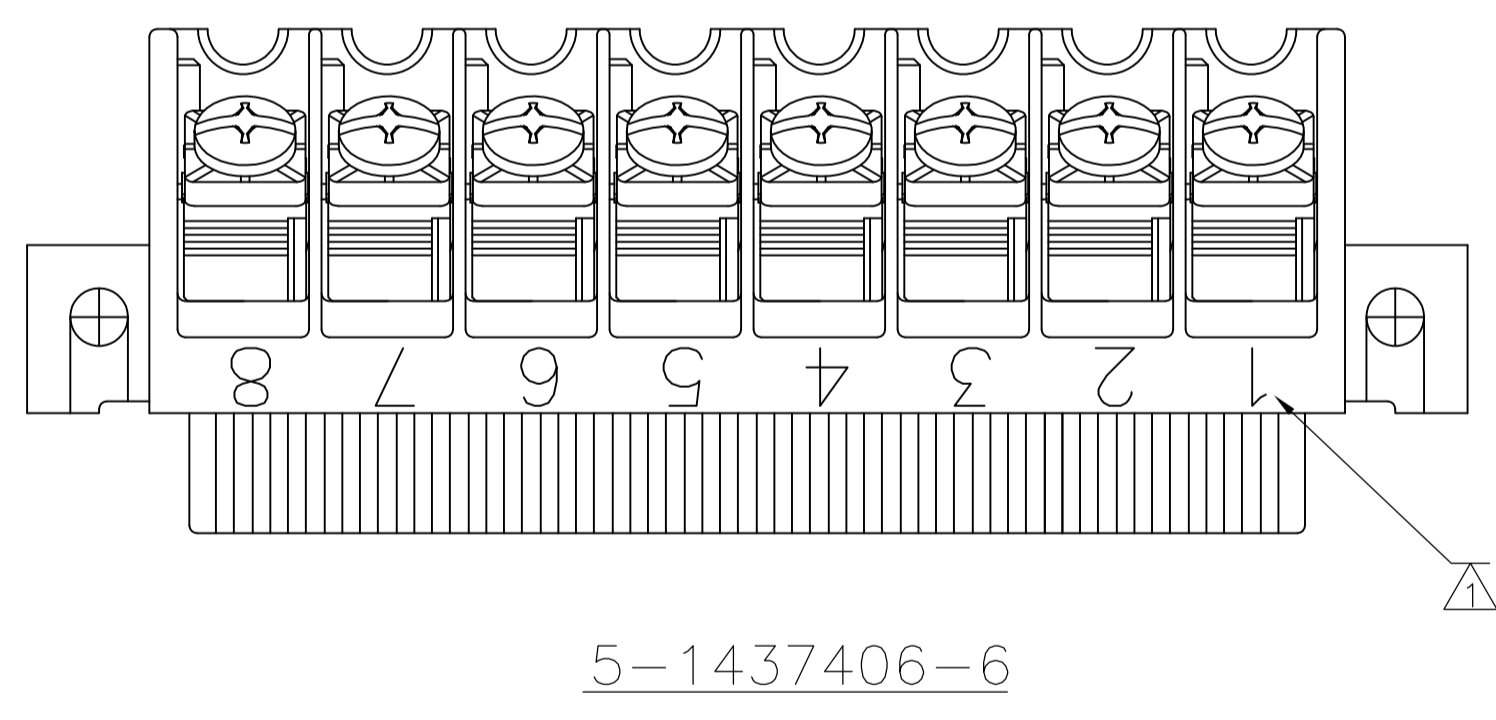
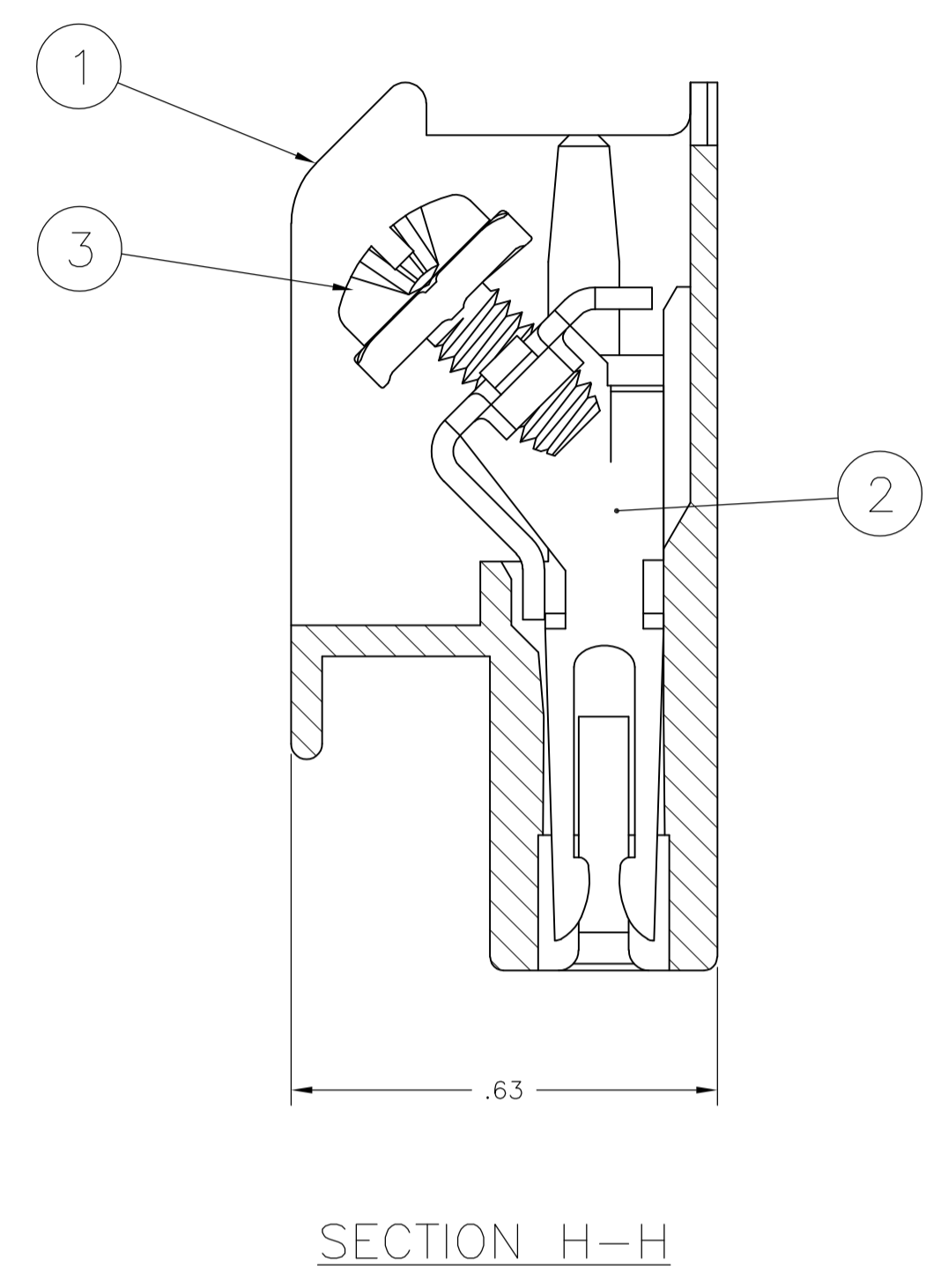
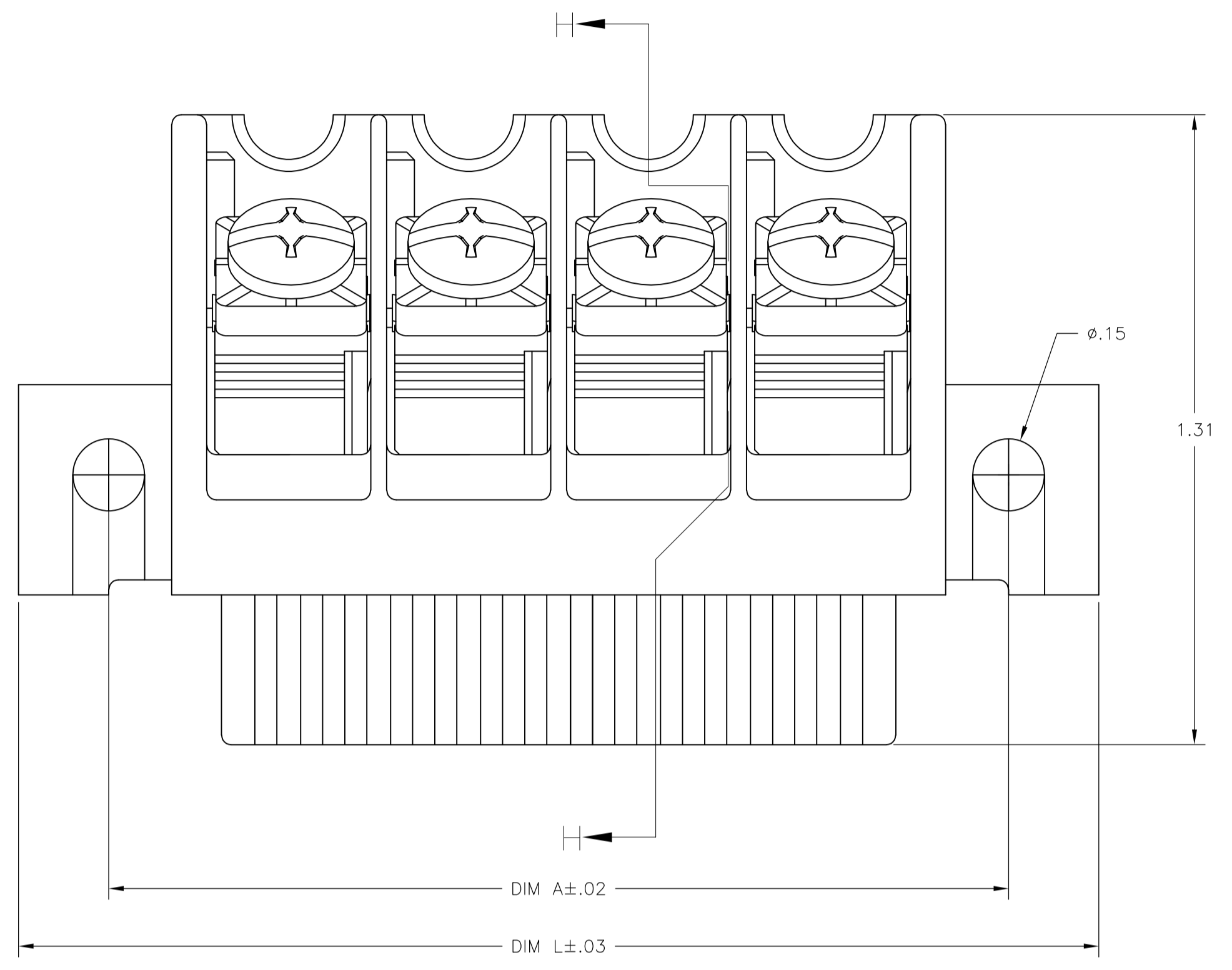
Email & Skype: info@chipsmall.com Web: www.chipsmall.com

Address: A1208, Overseas Decoration Building, #122 Zhenhua RD., Futian, Shenzhen, China



LOC		DIST		REVISIONS			
P	LTR	DESCRIPTION	DATE	DMN	APVD		
B2		REVISED PER ECO-08-001729	1/22/08	SS	SRY		

WHITE LETTERING APPROX .14 HIGH.



OBSOLETE				
-	10.501	PSB4KC26A	7-1437406-3	
-	9.751	PSB4KD24A	1546286-5	
-	9.751	PSB4KC24S	7-1437406-2	
-	9.751	PSB4KC24A	7-1437406-1	
-	9.001	PSB4KC22S	1546286-4	
-	9.001	PSB4KC22A	7-1437406-0	
-	8.251	PSB4KC20S	6-1437406-9	
-	8.251	PSB4KC20A	6-1437406-8	
-	7.501	PSB4KC18S	6-1437406-7	
-	7.501	PSB4KC18A	6-1437406-6	
-	6.751	PSB4KD16A	1546286-6	
-	6.751	PSB4KC16S	6-1437406-5	
-	6.751	PSB4KC16A	6-1437406-4	
-	6.001	PSB4KC14S	6-1437406-3	
-	6.001	PSB4KC14A	6-1437406-2	
-	5.251	PSB4KC12S	6-1437406-1	
-	5.251	PSB4KC12A	6-1437406-0	
-	4.501	PSB4KD10A	7-1437406-4	
SPL MARKING	4.501	PSB4KC10SNN25	5-1437406-9	
-	4.501	PSB4KC10S	5-1437406-8	
-	4.501	PSB4KC10A	1546286-1	
SPL MARKING	3.751	PSB4KC08SNN21	1546286-7	
-	3.751	PSB4KC08S	5-1437406-7	
SPL MARKING	3.751	PSB4KC08ANN25	5-1437406-6	
-	3.751	PSB4KC08A	5-1437406-5	
-	3.001	PSB4KC06S	5-1437406-4	
-	3.001	PSB4KC06A	5-1437406-3	

NOTES	DIM L	CATALOG NO.	PART NO.
-------	-------	-------------	----------

THIS DRAWING IS A CONTROLLED DOCUMENT.

DIMENSIONS: INCHES	TOLERANCES UNLESS OTHERWISE SPECIFIED:	DIN S SCHLEGEL 10/28/05	10/28/05	10/28/05
0 PLC ± -	1 PLC ± -	2 PLC ± .01	3 PLC ± .005	4 PLC ± -
ANGLES ± 1°				
MATERIAL	FINISH	APVD S YODER 10/28/05	NAME S YODER	DATE 10/28/05
		SIZE A1	CODE 00779	DRAWING NO. 5-1437406-6
		WEIGHT		
		CUSTOMER DRAWING		

THIS DRAWING IS UNPUBLISHED. RELEASED FOR PUBLICATION
 © COPYRIGHT BY TYCO ELECTRONICS CORPORATION. ALL RIGHTS RESERVED.

Terminal Block 45 Degree PSB (.375 Spacing)

OBSOLETE NOT THE LATEST REVISION