



Chipsmall Limited consists of a professional team with an average of over 10 year of expertise in the distribution of electronic components. Based in Hongkong, we have already established firm and mutual-benefit business relationships with customers from,Europe,America and south Asia,supplying obsolete and hard-to-find components to meet their specific needs.

With the principle of “Quality Parts,Customers Priority,Honest Operation,and Considerate Service”,our business mainly focus on the distribution of electronic components. Line cards we deal with include Microchip,ALPS,ROHM,Xilinx,Pulse,ON,Everlight and Freescale. Main products comprise IC,Modules,Potentiometer,IC Socket,Relay,Connector.Our parts cover such applications as commercial,industrial, and automotives areas.

We are looking forward to setting up business relationship with you and hope to provide you with the best service and solution. Let us make a better world for our industry!



Contact us

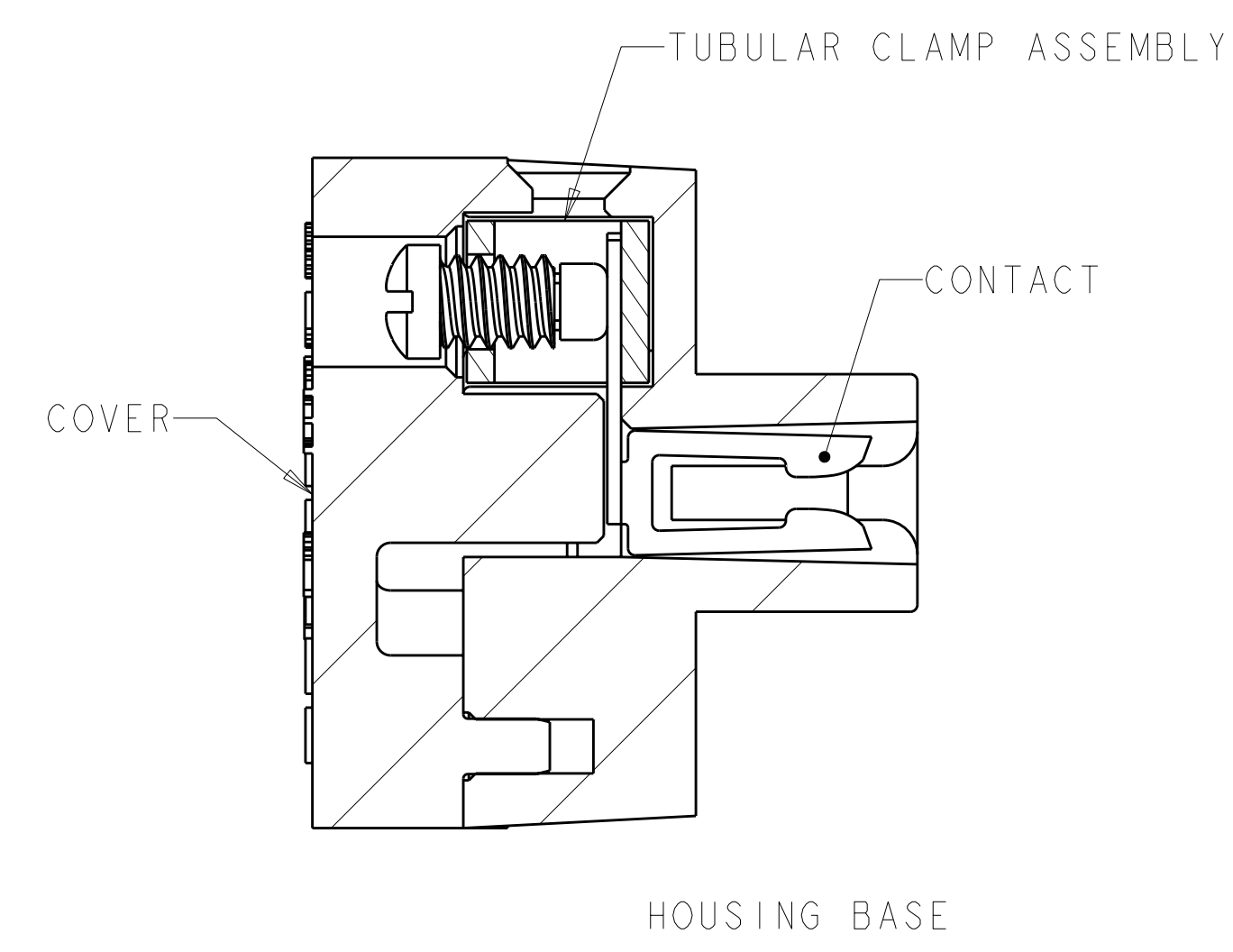
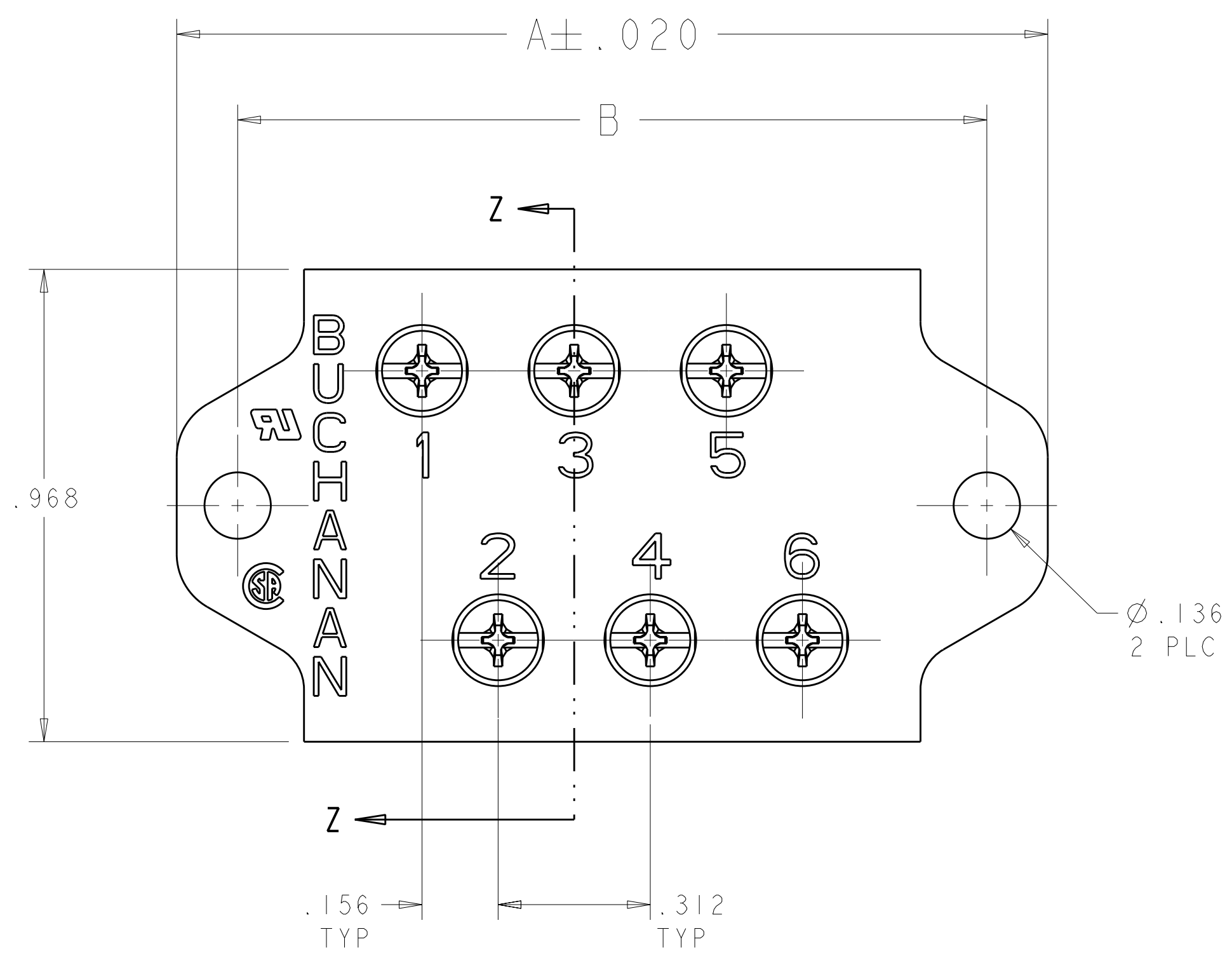
Tel: +86-755-8981 8866 Fax: +86-755-8427 6832

Email & Skype: info@chipsmall.com Web: www.chipsmall.com

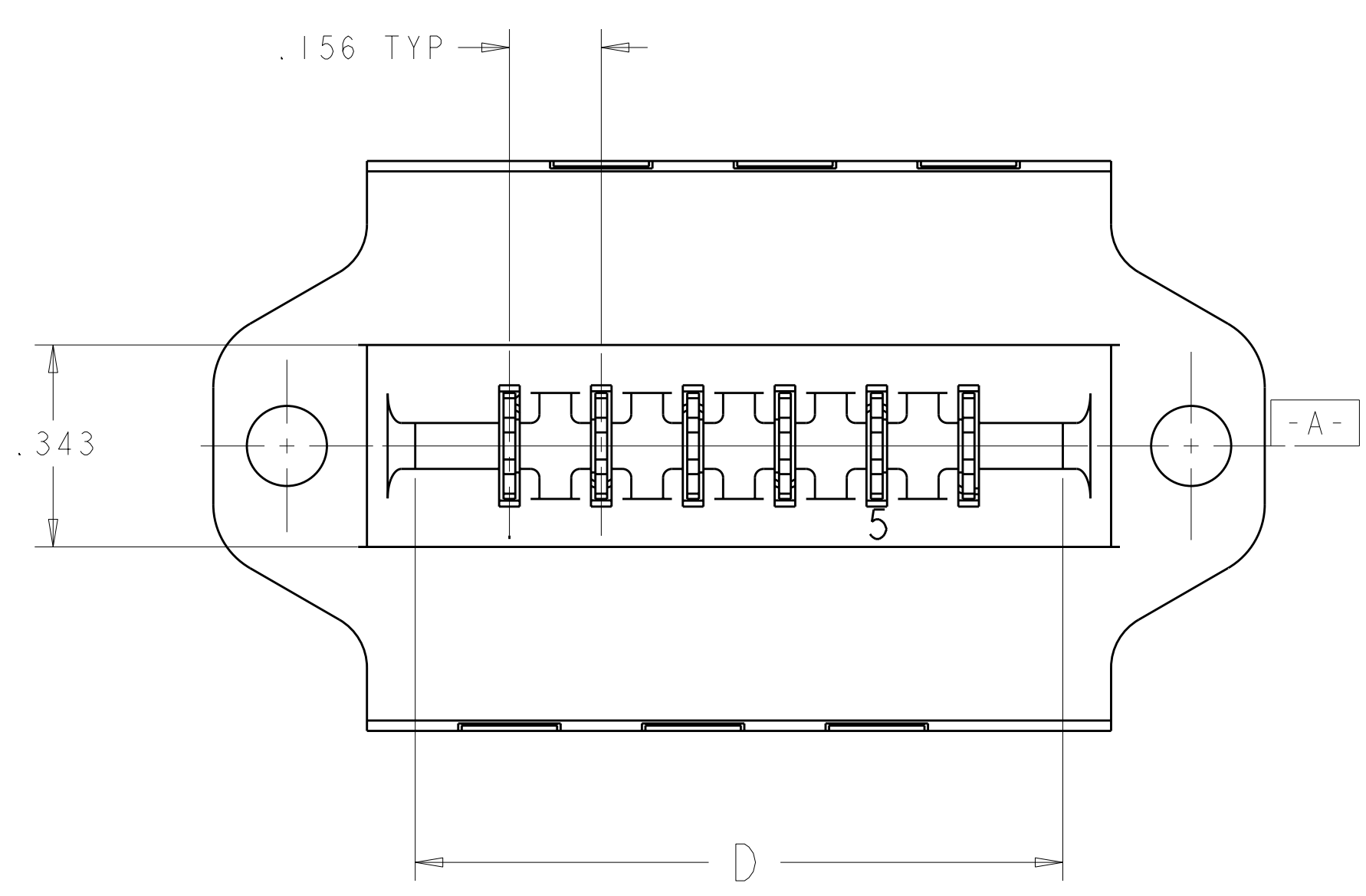
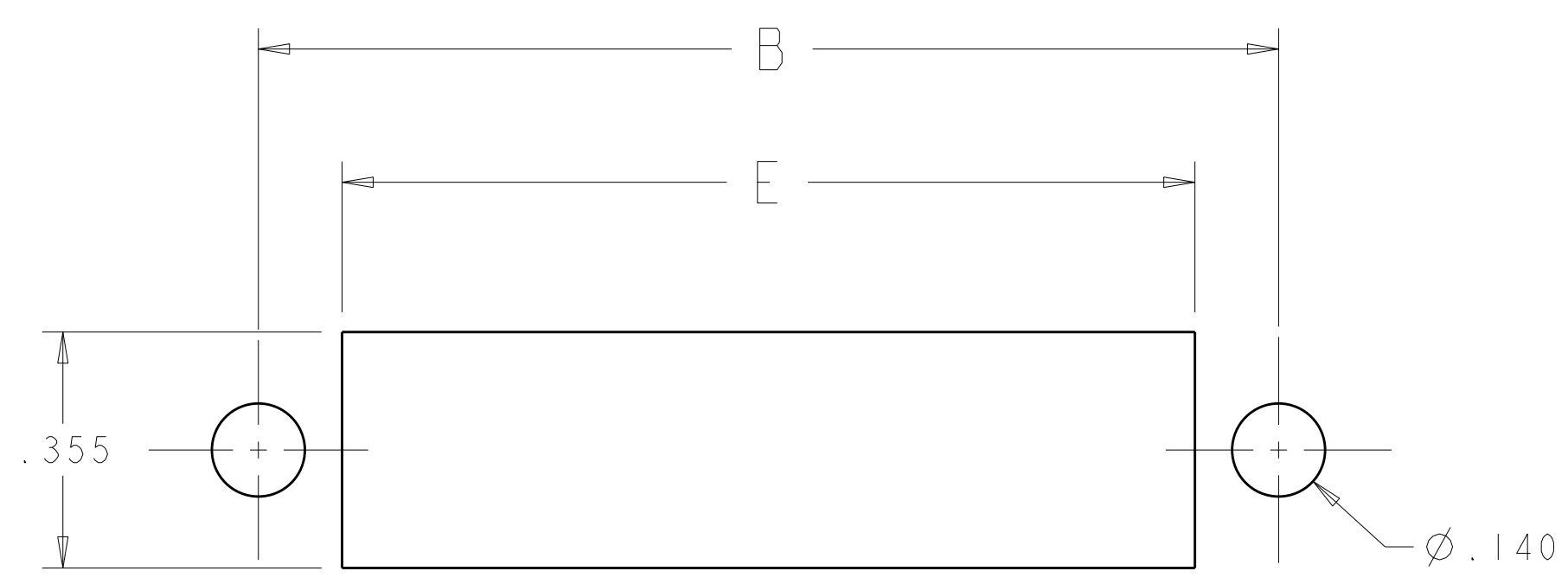
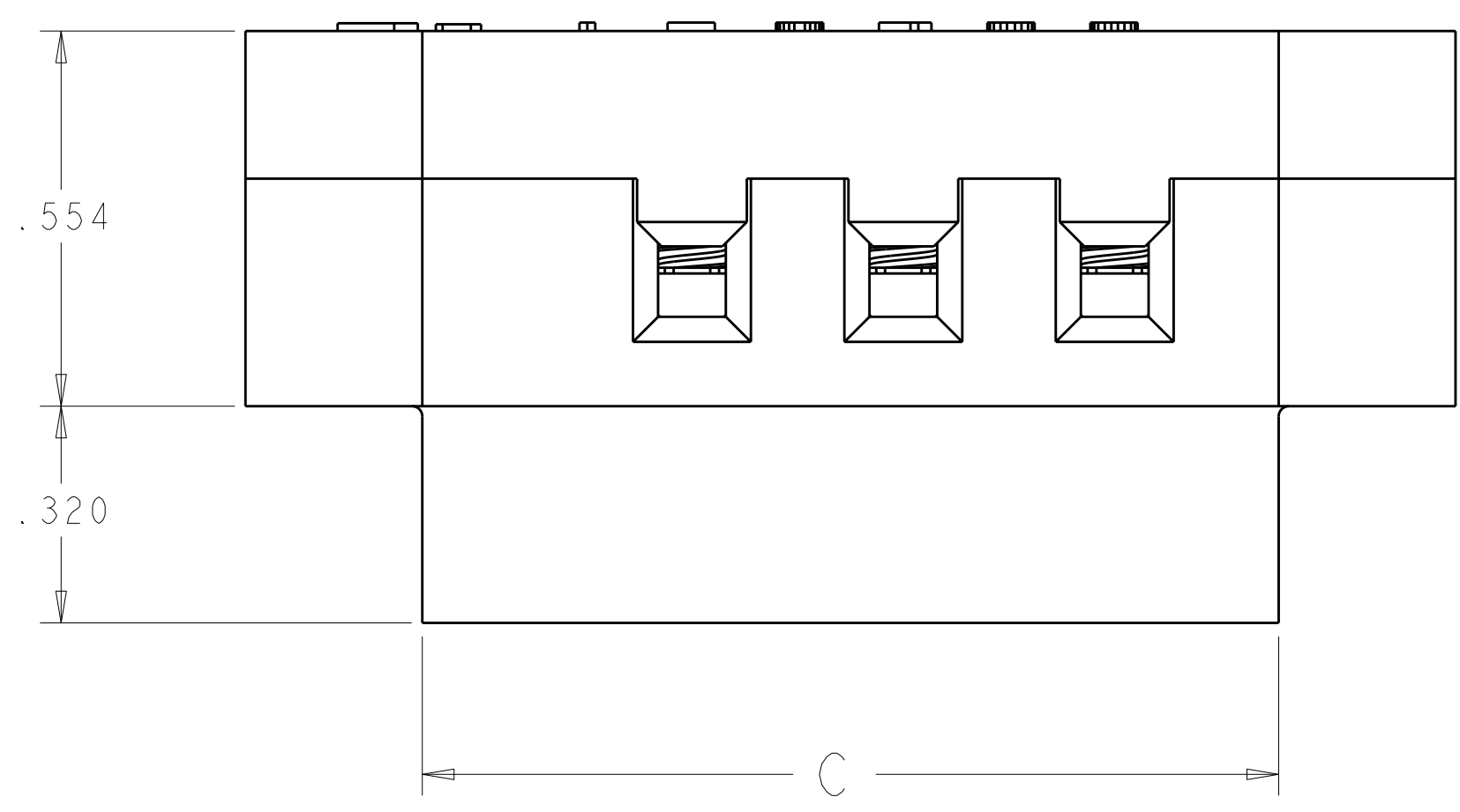
Address: A1208, Overseas Decoration Building, #122 Zhenhua RD., Futian, Shenzhen, China



LOC	DIST	REV	DATE	BY	CHKD	APVD
FT	0	P2	01DEC2011	KH	MS	



- △ PHYSICAL PROPERTIES:
 HOUSING BASE - POLYESTER, COLOR: BLACK.
 COVER - POLYESTER, COLOR: BLACK
 CONTACT - PHOSPHOR BRONZE, GOLD PLATED
 TUBULAR CLAMP ASSY:
 TUBULAR CONTACT - BRASS, UNPLATED
 #6-32 SCREW - STEEL, ZINC PLATED CLEAR CHROMATE
 CUP CLAMP - BRASS, UNPLATED
2. MECHANICAL PROPERTIES:
 OPERATING TEMPERATURE RANGE: -65°C TO +140°C.
 RECOMMENDED TIGHTENING TORQUE: 5-8 IN-LBS.
3. ELECTRICAL PROPERTIES:
 MAXIMUM CURRENT: 10A
 OPERATING VOLTAGE: 250V
 WIRE RANGE: #12 STRANDED ONLY



OBSOLETE

PCB2B43A	7.056	6.872	7.036	7.308	7.558	43	8-1437410-4
PCB2B36A	5.964	5.780	5.944	6.216	6.466	36	8-1437410-2
PCB2B30A	5.028	4.844	5.008	5.280	5.530	30	8-1437410-0
PCB2B28A	4.716	4.532	4.696	4.968	5.218	28	7-1437410-8
PCB2B24A	4.092	3.908	4.072	4.344	4.594	24	7-1437410-7
PCB2B22A	3.780	3.596	3.760	4.032	4.282	22	7-1437410-5
PCB2B18A	3.156	2.972	3.136	3.408	3.658	18	7-1437410-3
PCB2B16A	2.844	2.660	2.824	3.096	3.346	16	7-1437410-1
PCB2B15A	2.688	2.504	2.668	2.940	3.190	15	6-1437410-9
PCB2B12A	2.220	2.036	2.200	2.472	2.722	12	6-1437410-7
PCB2B10A	1.908	1.724	1.888	2.160	2.410	10	6-1437410-5
PCB2B09A	1.752	1.568	1.732	2.004	2.254	9	-
PCB2B08A	1.596	1.412	1.576	1.848	2.098	8	6-1437410-2
PCB2B06A	1.284	1.100	1.264	1.536	1.786	6	5-1437410-9
CATALOG NUMBER	E	D	C	B	A	NO OF POSN	PART NUMBER

THIS DRAWING IS A CONTROLLED DOCUMENT.

DIMENSIONS: INCHES
 TOLERANCES UNLESS OTHERWISE SPECIFIED:
 9 PLC ±.1
 1 PLC ±0.1
 2 PLC ±0.02
 3 PLC ±0.005
 4 PLC ±0.0005
 ANGLES ±.1

MATERIAL:
 FINISH:

DWG: S. WELDON 08OCT2003
 CHK: S. YODER 08OCT2003
 APVD: S. YODER 08OCT2003

STE TE Connectivity
 CONNECTOR ASSEMBLY, CARD EDGE, PCB2BXXA

SIZE: A100779 CAGE CODE: C-5-1437410-9
 SCALE: 4:1 SHEET 1 OF 1 REV P2