



Chipsmall Limited consists of a professional team with an average of over 10 year of expertise in the distribution of electronic components. Based in Hongkong, we have already established firm and mutual-benefit business relationships with customers from,Europe,America and south Asia,supplying obsolete and hard-to-find components to meet their specific needs.

With the principle of “Quality Parts,Customers Priority,Honest Operation,and Considerate Service”,our business mainly focus on the distribution of electronic components. Line cards we deal with include Microchip,ALPS,ROHM,Xilinx,Pulse,ON,Everlight and Freescale. Main products comprise IC,Modules,Potentiometer,IC Socket,Relay,Connector.Our parts cover such applications as commercial,industrial, and automotives areas.

We are looking forward to setting up business relationship with you and hope to provide you with the best service and solution. Let us make a better world for our industry!



Contact us

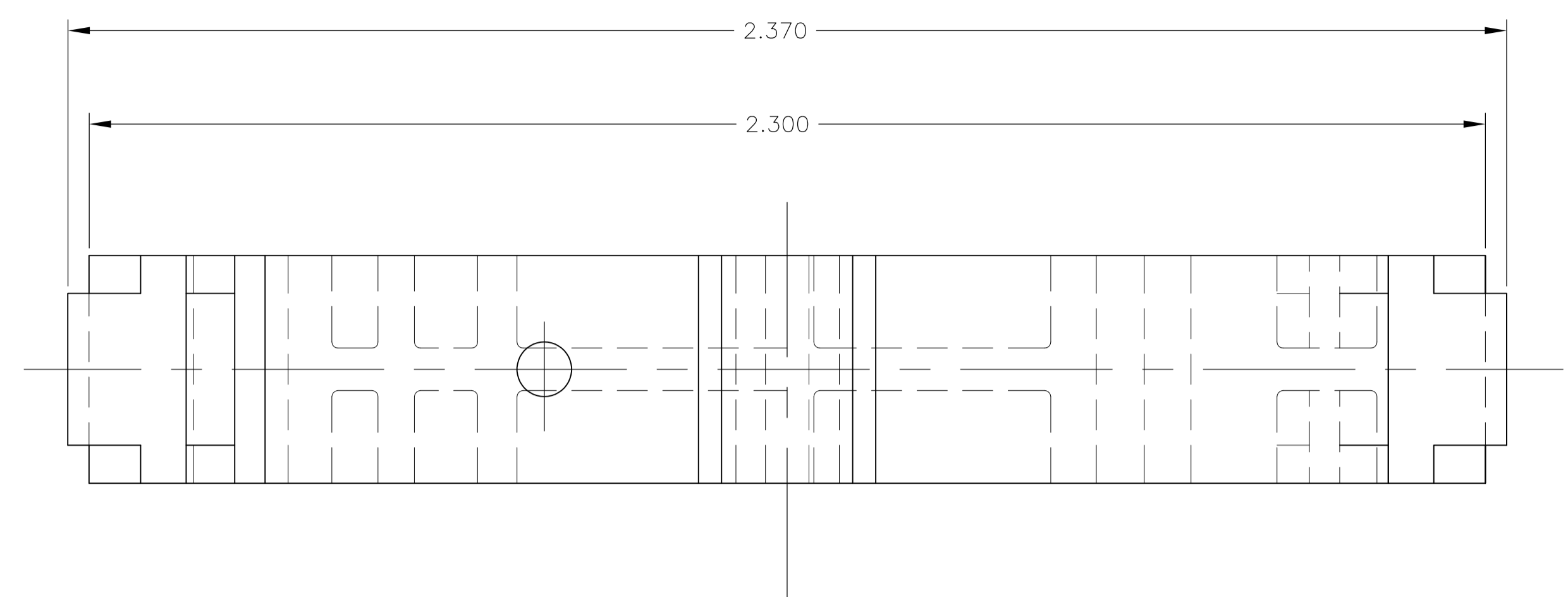
Tel: +86-755-8981 8866 Fax: +86-755-8427 6832

Email & Skype: info@chipsmall.com Web: www.chipsmall.com

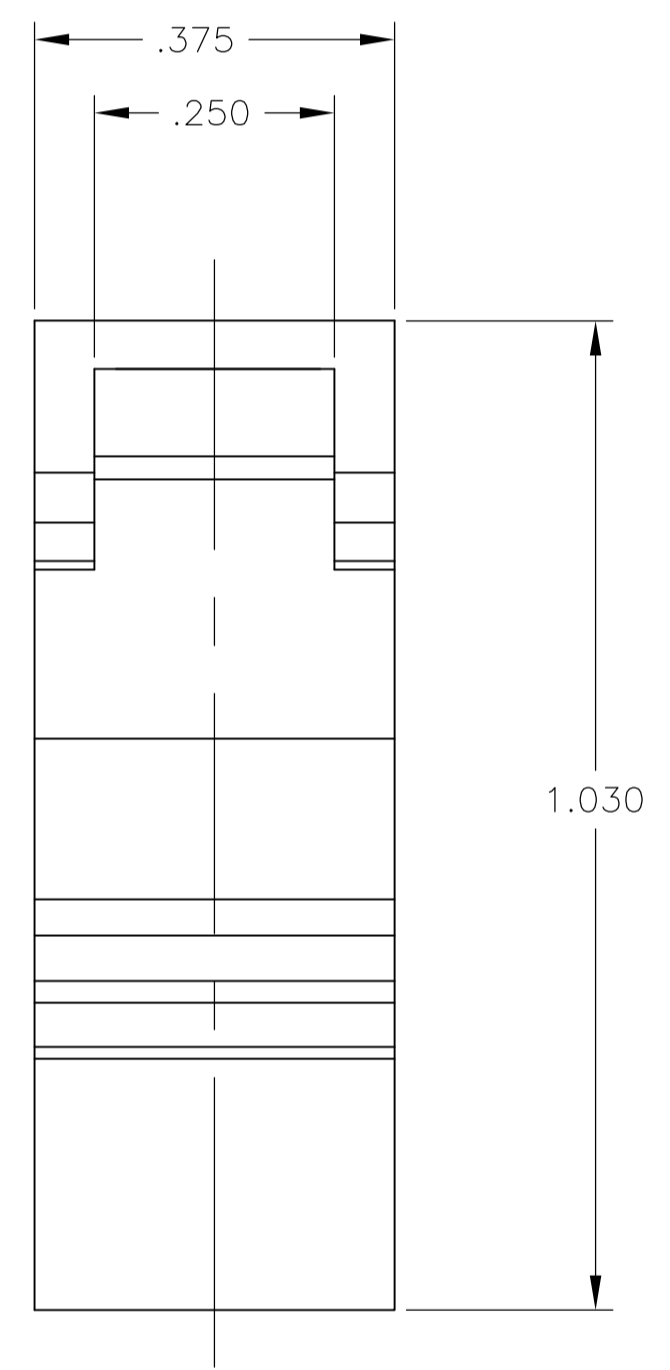
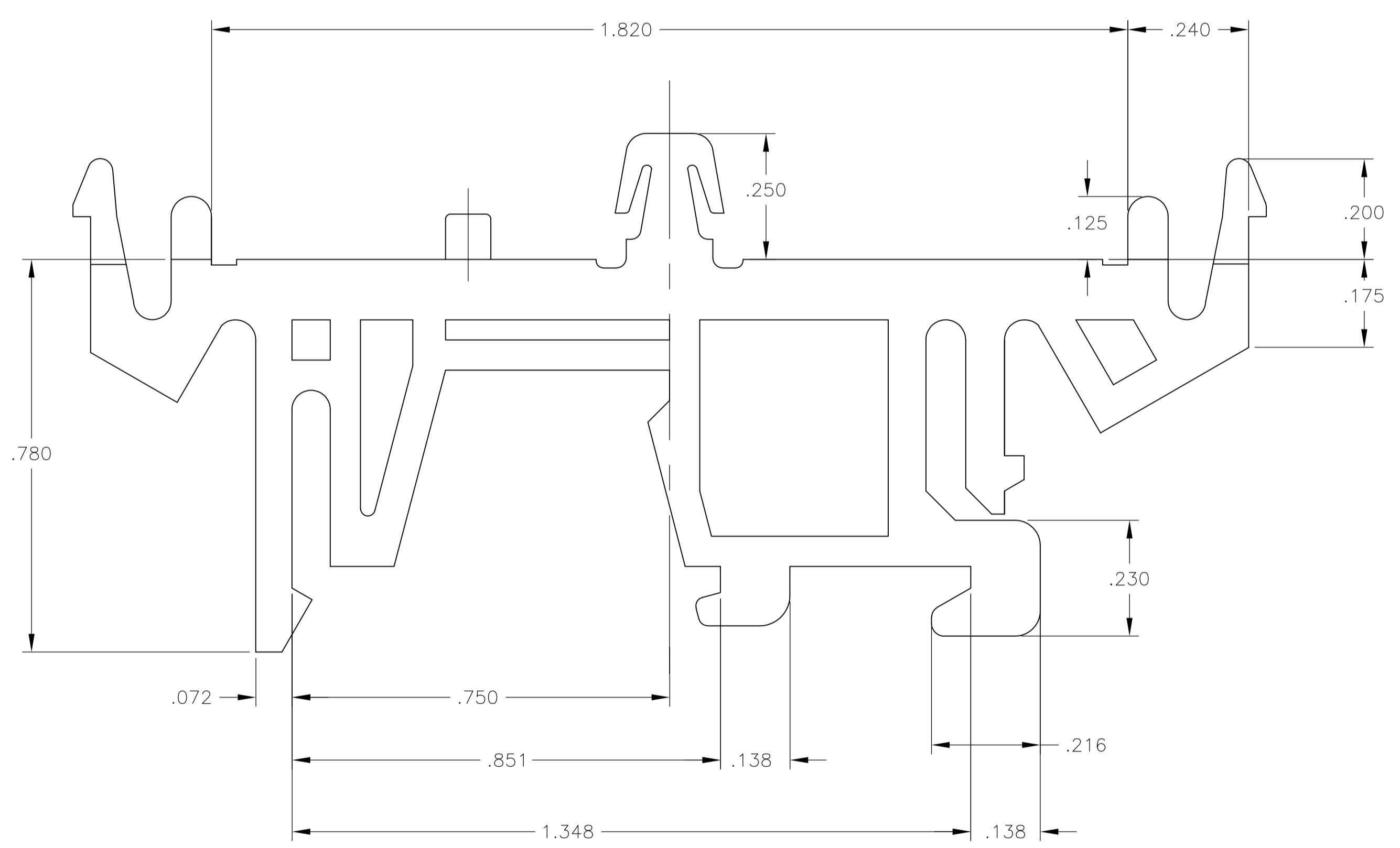
Address: A1208, Overseas Decoration Building, #122 Zhenhua RD., Futian, Shenzhen, China



LOC		DIST		REVISIONS			
P	LTR	DESCRIPTION	DATE	DMN	APVD		
A		REVISED PER ECO-08-029264	24NOV08	HMR	SM		



1 MATERIAL: UL94V-0 POLYCARBONATE
 GE LEXAN 940-MED, STANDARD GRAY CHROMA±82088
 MAXIMUM ALLOWABLE REGRIND - 25 PERCENT



THIS DRAWING IS A CONTROLLED DOCUMENT.		DIN	24NOV2008	Tyco Electronics Corporation Harrisburg, PA 17105-3608	
DIMENSIONS: INCHES		CHK	24NOV2008	TKAD=TRK ADPT .640054900	
TOLERANCES UNLESS OTHERWISE SPECIFIED:		APVD	24NOV2008	RESTRICTED TO	
0. PLC ± -		NAME		SIZE	
1. PLC ± -		PRODUCT SPEC		CAGE CODE	
2. PLC ± -		APPLICATION SPEC		DRAWING NO	
3. PLC ± -		WEIGHT		DRAWING NO	
4. PLC ± -		CUSTOMER DRAWING		DRAWING NO	
ANGLES ± -		SCALE		SHEET	
FINISH -		SCALE 1:5		SHEET 1 OF 1	
MATERIAL 1		SCALE 1:5		REV A	