



Chipsmall Limited consists of a professional team with an average of over 10 year of expertise in the distribution of electronic components. Based in Hongkong, we have already established firm and mutual-benefit business relationships with customers from,Europe,America and south Asia,supplying obsolete and hard-to-find components to meet their specific needs.

With the principle of "Quality Parts,Customers Priority,Honest Operation,and Considerate Service",our business mainly focus on the distribution of electronic components. Line cards we deal with include Microchip,ALPS,ROHM,Xilinx,Pulse,ON,Everlight and Freescale. Main products comprise IC,Modules,Potentiometer,IC Socket,Relay,Connector.Our parts cover such applications as commercial,industrial, and automotives areas.

We are looking forward to setting up business relationship with you and hope to provide you with the best service and solution. Let us make a better world for our industry!



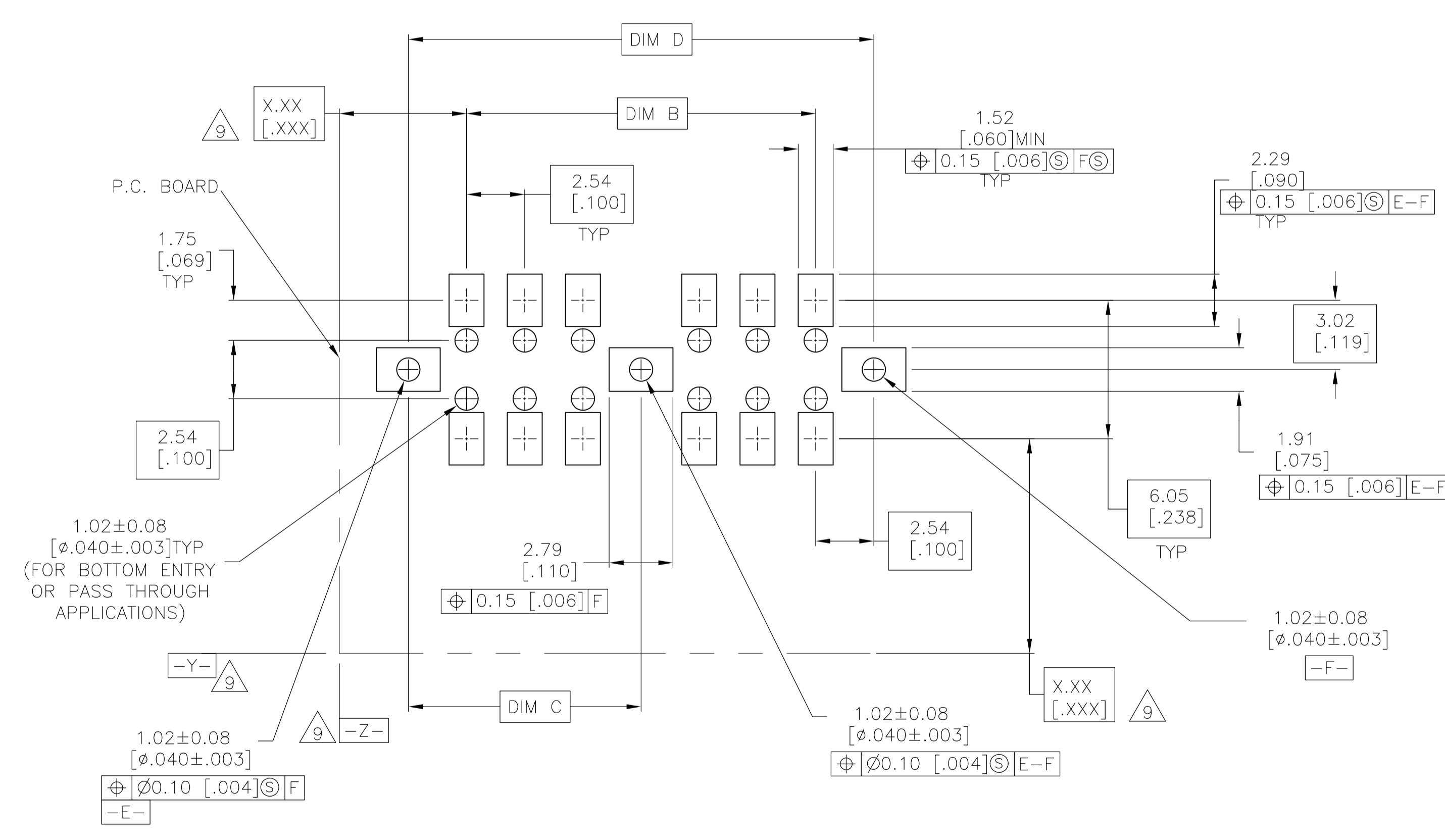
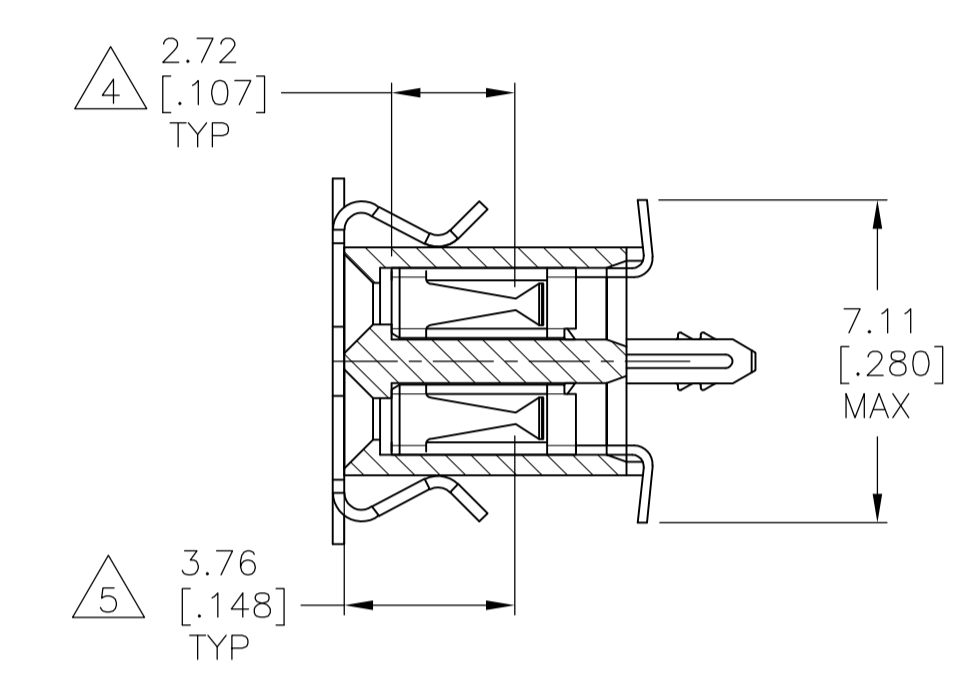
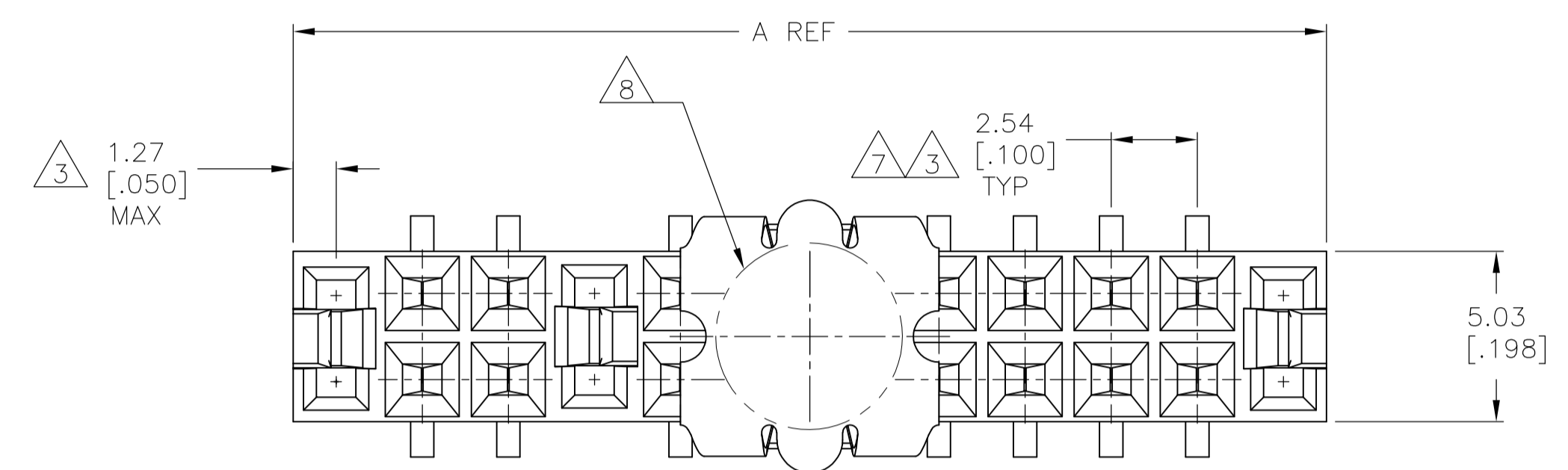
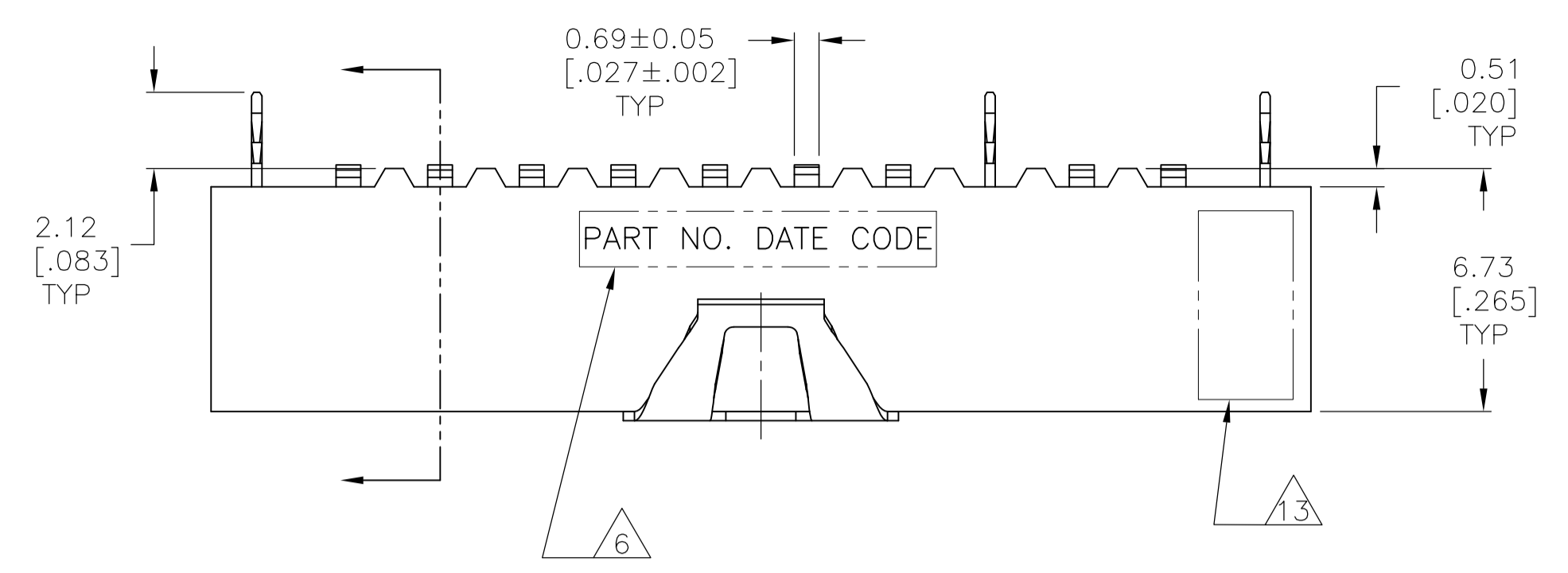
Contact us

Tel: +86-755-8981 8866 Fax: +86-755-8427 6832

Email & Skype: info@chipsmall.com Web: www.chipsmall.com

Address: A1208, Overseas Decoration Building, #122 Zhenhua RD., Futian, Shenzhen, China





RECOMMENDED PC BOARD PAD PATTERN
0.20[.008] THICK STENCIL

FINISH	EIA TAPE WIDTH	D	C	B	A	NO OF POSN	PART NUMBER
N/A		106.68 [4.200]	53.34 [2.100]	101.6 [4.000]	109.22 [4.300]	80	4-147747-0
		104.14 [4.100]	50.80 [2.000]	99.06 [3.900]	106.68 [4.200]	78	3-147747-9
		101.60 [4.000]	50.80 [2.000]	96.52 [3.800]	104.14 [4.100]	76	3-147747-8
120mm		99.06 [3.900]	48.26 [1.900]	93.98 [3.700]	101.6 [4.000]	74	3-147747-7
		96.52 [3.800]	48.26 [1.900]	91.44 [3.600]	99.06 [3.900]	72	3-147747-6
		93.98 [3.700]	45.72 [1.800]	88.9 [3.500]	96.52 [3.800]	70	3-147747-5
		88.90 [3.500]		83.82 [3.300]	91.44 [3.600]	68	3-147747-4
		86.36 [3.400]		81.28 [3.200]	88.9 [3.500]	66	3-147747-3
		83.82 [3.300]		78.74 [3.100]	86.36 [3.400]	64	3-147747-2
		81.28 [3.200]		76.2 [3.000]	83.82 [3.300]	62	3-147747-1
		78.74 [3.100]		71.12 [2.900]	81.28 [3.200]	60	3-147747-0
		76.20 [3.000]		71.12 [2.800]	78.74 [3.100]	58	2-147747-9
		71.12 [2.900]		68.58 [2.700]	76.2 [3.000]	56	2-147747-8
88mm		71.12 [2.800]		66.04 [2.600]	71.12 [2.900]	54	2-147747-7
		68.58 [2.700]		63.5 [2.500]	71.12 [2.800]	52	2-147747-6
		66.04 [2.600]		60.96 [2.400]	68.58 [2.700]	50	2-147747-5
		63.50 [2.500]		58.42 [2.300]	66.04 [2.600]	48	2-147747-4
		60.96 [2.400]		55.88 [2.200]	63.5 [2.500]	46	2-147747-3
		58.42 [2.300]		53.34 [2.100]	60.96 [2.400]	44	2-147747-2
		55.88 [2.200]		50.8 [2.000]	58.42 [2.300]	42	2-147747-1
72mm		53.34 [2.100]		48.26 [1.900]	55.88 [2.200]	40	2-147747-0
		50.80 [2.000]		45.72 [1.800]	53.34 [2.100]	38	1-147747-9
		48.26 [1.900]		43.18 [1.700]	50.8 [2.000]	36	1-147747-8
		45.72 [1.800]		40.64 [1.600]	48.26 [1.900]	34	1-147747-7
		43.18 [1.700]		38.1 [1.500]	45.72 [1.800]	32	1-147747-6
		40.64 [1.600]		35.56 [1.400]	43.18 [1.700]	30	1-147747-5
		38.10 [1.500]		33.02 [1.300]	40.64 [1.600]	28	1-147747-4
		35.56 [1.400]		30.48 [1.200]	38.1 [1.500]	26	1-147747-3
		33.02 [1.300]		27.94 [1.100]	35.56 [1.400]	24	1-147747-2
44mm		30.48 [1.200]		25.4 [1.000]	33.02 [1.300]	22	1-147747-1
		27.94 [1.100]		22.86 [1.000]	30.48 [1.200]	20	1-147747-0
		25.40 [1.000]		20.32 [1.000]	27.94 [1.100]	18	147747-9
		22.86 [1.000]		17.78 [1.000]	25.4 [1.000]	16	147747-8
		20.32 [1.000]		15.24 [1.000]	22.86 [1.000]	14	147747-7
		17.78 [1.000]		12.7 [1.000]	20.32 [1.000]	12	147747-6
		15.24 [1.000]		10.16 [1.000]	17.78 [1.000]	10	147747-5
		12.70 [1.000]		7.62 [1.000]	15.24 [1.000]	8	147747-4
		10.16 [1.000]		5.08 [1.000]	12.7 [1.000]	6	147747-3
		7.62 [1.000]		2.54 [1.000]	10.16 [1.000]	4	147747-2
24mm		5.08 [1.000]		-	7.62 [1.000]	2	147747-1

THIS DRAWING IS A CONTROLLED DOCUMENT.

DIMENSIONS: mm [INCHES]

TOLERANCES UNLESS OTHERWISE SPECIFIED:

0 PL	± -
1 PL	± -
2 PL	± -
3 PL	± 0.005[.13]
4 PL	± 0.0005[.013]

ANGLES: ± -

MATERIAL: 1

FINISH: 2, 15

APPROVED: J. JOLSON

DATE: 20MAY02

NAME: J. JOLSON

PRODUCT SPEC: 108-25022

APPLICATION SPEC: 114-25018

WEIGHT: -

CUSTOMER DRAWING

SCALE: 6:1

SHEET: 1 OF 2

REV: H7

STE TE Connectivity

RCPT ASSY, MOD IV, DOUBLE ROW, VERTICAL, DUAL ENTRY, .100X.100 C/L, SURFACE MOUNT, AMPMODU

- 1 HOUSING: GLASS FILLED, FLAME RETARDANT POLYESTER, BLACK CONTACTS: PHOSPHOR BRONZE. VACUUM COVER: STAINLESS STEEL
- 2 CONTACTS: DUPLEX PLATED- 0.76µm[.000030] GOLD IN CONTACT AREA, 3.81-7.62µm [.000150-.000300] BRIGHT TIN-LEAD ON, LEADS, ALL OVER 1.27µm [.000050] MIN NICKEL.
- 3 DIMENSION APPLIES TO HOUSING CAVITY CENTERLINES ONLY.
- 4 POINT OF MEASUREMENT FOR PLATING THICKNESS.
- 5 POINT OF CONTACT DIMENSION.
- 6 MARK PART NUMBER AND DATE CODE IN APPROXIMATE LOCATION SHOWN, EITHER SIDE.
- 7 TOLERANCE IS NON-CUMULATIVE.
- 8 5.5 [.217] MIN TARGET AREA FOR VACUUM PICK-UP COVERS TO BE REMOVED AFTER SOLDERING.
- 9 DATUMS AND BASIC DIMENSIONS ESTABLISHED BY CUSTOMER.
- 10 NO CENTER HOLD DOWNS
- 11 PACKAGED IN TAPES AND REEL PER EIA 481 SPECIFICATIONS.
- 12 FOR 2 POS, DATE CODE IS STAMPED OPPOSITE SIDE OF TE LOGO.
- 13 TE TRADEMARK AND CSA LOGO ARE MOLDED INTO HOUSING.
- 14 NO PART NUMBER MARKING REQUIRED ON THIS PART.
- 15 CONTACTS: DUPLEX PLATED-0.76µm[.000030] GOLD IN CONTACT AREA, 3.81-7.62µm [.000150-.000300] MATTE TIN ON LEADS, ALL OVER 1.27µm [.000050] MIN NICKEL.
- 16 ROHS 2002/95/EC COMPLIANT

		106.68 [4.200]	53.34 [2.100]	101.6 [4.000]	109.22 [4.300]	80	9-147747-0
		104.14 [4.100]	50.8 [2.000]	99.06 [3.900]	106.68 [4.200]	78	8-147747-9
		101.6 [4.000]	50.8 [2.000]	96.52 [3.800]	104.14 [4.100]	76	8-147747-8
		99.06 [3.900]	48.26 [1.900]	93.98 [3.700]	101.6 [4.000]	74	8-147747-7
		96.52 [3.800]	48.26 [1.900]	91.44 [3.600]	99.06 [3.900]	72	8-147747-6
		93.98 [3.700]	45.72 [1.800]	88.9 [3.500]	96.52 [3.800]	70	8-147747-5
	120mm	88.9 [3.500]		83.82 [3.300]	91.44 [3.600]	68	8-147747-4
		86.36 [3.400]		81.28 [3.200]	88.9 [3.500]	66	8-147747-3
		83.82 [3.300]		78.74 [3.100]	86.36 [3.400]	64	8-147747-2
		81.28 [3.200]		76.2 [3.000]	83.82 [3.300]	62	8-147747-1
		78.74 [3.100]		71.12 [2.900]	81.28 [3.200]	60	8-147747-0
		76.2 [3.000]		71.12 [2.800]	78.74 [3.100]	58	7-147747-9
		71.12 [2.900]		68.58 [2.700]	76.2 [3.000]	56	7-147747-8
		71.12 [2.800]		66.04 [2.600]	71.12 [2.900]	54	7-147747-7
		68.58 [2.700]		63.5 [2.500]	71.12 [2.800]	52	7-147747-6
		66.04 [2.600]		60.96 [2.400]	68.58 [2.700]	50	7-147747-5
	88mm	63.5 [2.500]		58.42 [2.300]	66.04 [2.600]	48	7-147747-4
		60.96 [2.400]		55.88 [2.200]	63.5 [2.500]	46	7-147747-3
		58.42 [2.300]		53.34 [2.100]	60.96 [2.400]	44	7-147747-2
		55.88 [2.200]		50.8 [2.000]	58.42 [2.300]	42	7-147747-1
		53.34 [2.100]		48.26 [1.900]	55.88 [2.200]	40	7-147747-0
		50.8 [2.000]		45.72 [1.800]	53.34 [2.100]	38	6-147747-9
		48.26 [1.900]		43.18 [1.700]	50.8 [2.000]	36	6-147747-8
	72mm	45.72 [1.800]		40.64 [1.600]	48.26 [1.900]	34	6-147747-7
		43.18 [1.700]		38.1 [1.500]	45.72 [1.800]	32	6-147747-6
		40.64 [1.600]		35.56 [1.400]	43.18 [1.700]	30	6-147747-5
		38.1 [1.500]		33.02 [1.300]	40.64 [1.600]	28	6-147747-4
		35.56 [1.400]		30.48 [1.200]	38.1 [1.500]	26	6-147747-3
		33.02 [1.300]		27.94 [1.100]	35.56 [1.400]	24	6-147747-2
		30.48 [1.200]		25.4 [1.000]	33.02 [1.300]	22	6-147747-1
		27.94 [1.100]		22.86 [.900]	30.48 [1.200]	20	6-147747-0
		25.4 [1.000]		20.32 [.800]	27.94 [1.100]	18	5-147747-9
		22.86 [.900]		17.78 [.700]	25.4 [1.000]	16	5-147747-8
	44mm	20.32 [.800]		15.24 [.600]	22.86 [.900]	14	5-147747-7
		17.78 [.700]		12.7 [.500]	20.32 [.800]	12	5-147747-6
		15.24 [.600]		10.16 [.400]	17.78 [.700]	10	5-147747-5
		12.7 [.500]		7.62 [.300]	15.24 [.600]	8	5-147747-4
		10.16 [.400]		5.08 [.200]	12.7 [.500]	6	5-147747-3
		7.62 [.300]		2.54 [.100]	10.16 [.400]	4	5-147747-2
	24mm	5.08 [.200]		-	7.62 [.300]	2	5-147747-1
FINISH	EIA TAPE WIDTH	D	C	B	A	NO OF POSN	PART NUMBER

THIS DRAWING IS A CONTROLLED DOCUMENT.		DIN	M. BINNER	20MAY02	TE Connectivity
DIMENSIONS: mm [INCHES]		CHK	J. JOLSON	20MAY02	
TOLERANCES UNLESS OTHERWISE SPECIFIED:		APVD	J. JOLSON	20MAY02	NAME
0 PLC ± -	1 PLC ± -	PRODUCT SPEC			RCPT ASSY, MOD IV, DOUBLE ROW, VERTICAL, DUAL ENTRY, .100X.100 C/L, SURFACE MOUNT, AMPMODU
2 PLC ± -	3 PLC ± 0.005(.13)	APPLICATION SPEC			108-25022
4 PLC ± 0.0005(.013)	ANGLES ± -	DRAWING NO			114-25018
MATERIAL	FINISH	WEIGHT	SCALE	DRAWING NO	RESTRICTED TO
			A1	00779	147747
CUSTOMER DRAWING				SCALE	SHEET
				1:1	2 OF 2