



Chipsmall Limited consists of a professional team with an average of over 10 year of expertise in the distribution of electronic components. Based in Hongkong, we have already established firm and mutual-benefit business relationships with customers from,Europe,America and south Asia,supplying obsolete and hard-to-find components to meet their specific needs.

With the principle of “Quality Parts,Customers Priority,Honest Operation,and Considerate Service”,our business mainly focus on the distribution of electronic components. Line cards we deal with include Microchip,ALPS,ROHM,Xilinx,Pulse,ON,Everlight and Freescale. Main products comprise IC,Modules,Potentiometer,IC Socket,Relay,Connector.Our parts cover such applications as commercial,industrial, and automotives areas.

We are looking forward to setting up business relationship with you and hope to provide you with the best service and solution. Let us make a better world for our industry!



Contact us

Tel: +86-755-8981 8866 Fax: +86-755-8427 6832

Email & Skype: info@chipsmall.com Web: www.chipsmall.com

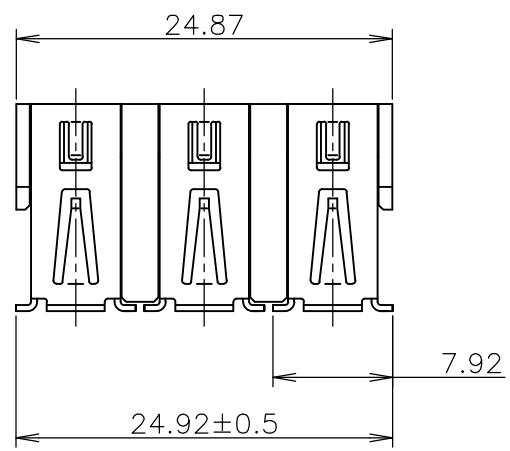
Address: A1208, Overseas Decoration Building, #122 Zhenhua RD., Futian, Shenzhen, China



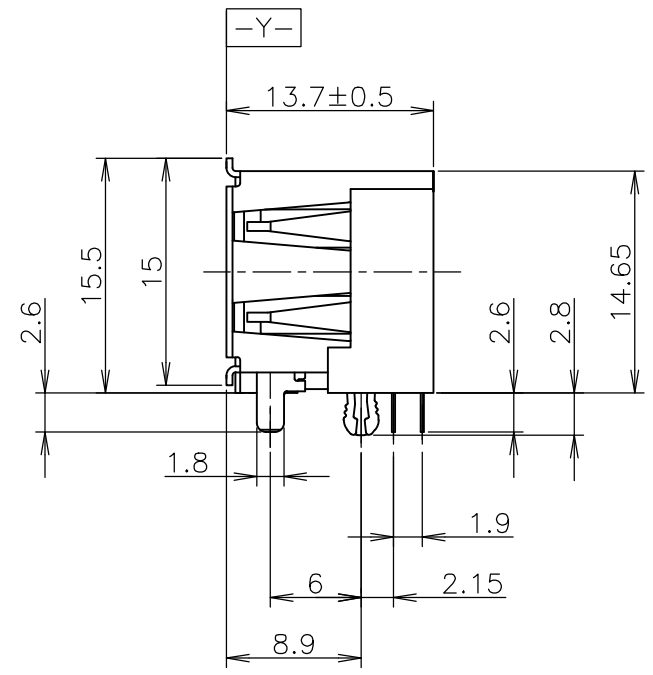
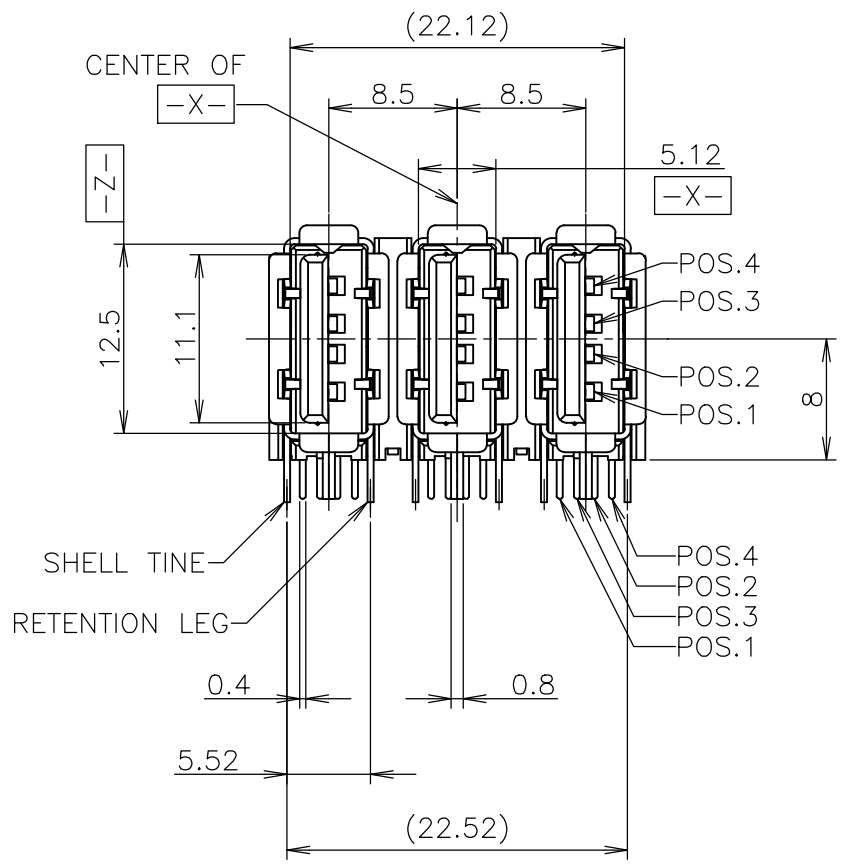
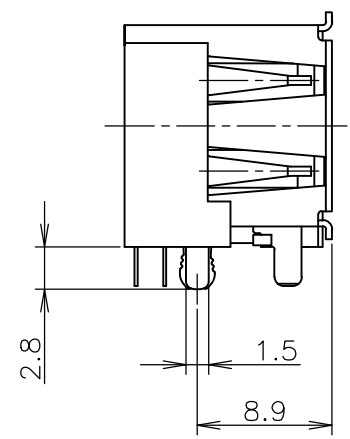
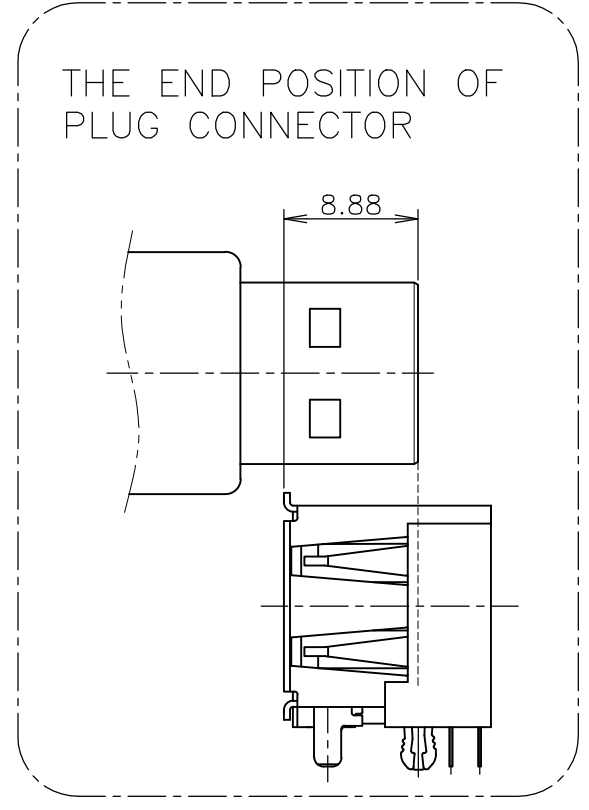
THIS DRAWING IS UNPUBLISHED. RELEASED FOR PUBLICATION DEC. 2001.
 © COPYRIGHT 2001 By - ALL RIGHTS RESERVED.

LOC	DIST	REVISIONS					
J	/	P	LTR	DESCRIPTION	DATE	DWN	APVD
			E3	REVISED PER ECR-15-016523	16NOV15	T.Z	H.W

4-1565589-3
 1565589-2
 ; AS SHOWN

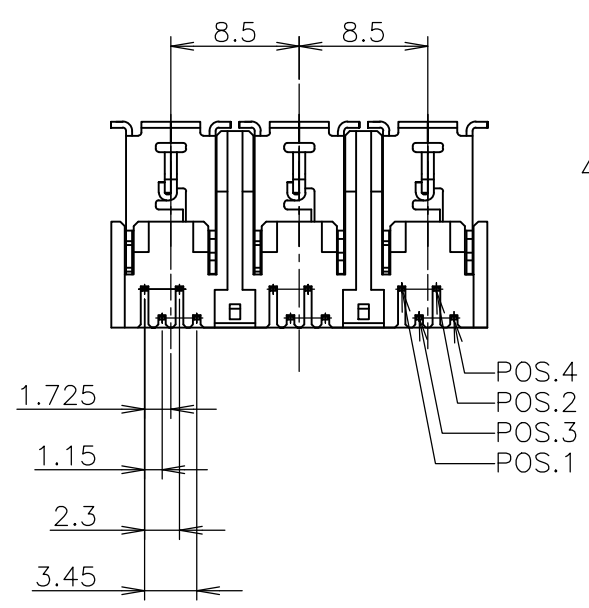
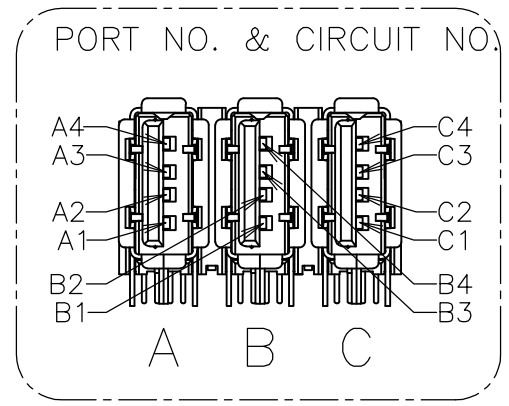


- ④ MATERIAL
 HOUSING: THERMO-PLASTICS UL94V-0 BLACK
 CONTACT: COPPER ALLOY
 FRONT SHELL: COPPER ALLOY
- ② FINISH
 CONTACT: NICKEL UNDER PLATE ALL OVER.
 CONTACT AREA: GOLD PLATE
 TINE AREA: TIN-LEAD PLATING
- ③ FINISH
 CONTACT: NICKEL UNDER PLATE ALL OVER.
 CONTACT AREA: GOLD PLATE
 TINE AREA: TIN PLATING
 FRONT SHELL: TIN PLATE



④	④	OBSOLETE	SEE SHEET 5, 6	③	④	6-1565589-2
④	②	OBSOLETE	SEE SHEET 3, 4	③	②	3-1565589-3
④	③	OBSOLETE	SEE SHEET 1, 2	③	③	6-1565589-1
④	②	OBSOLETE		③	②	4-1565589-3
						1565589-2
			REMARK		FINISH	PART NO.

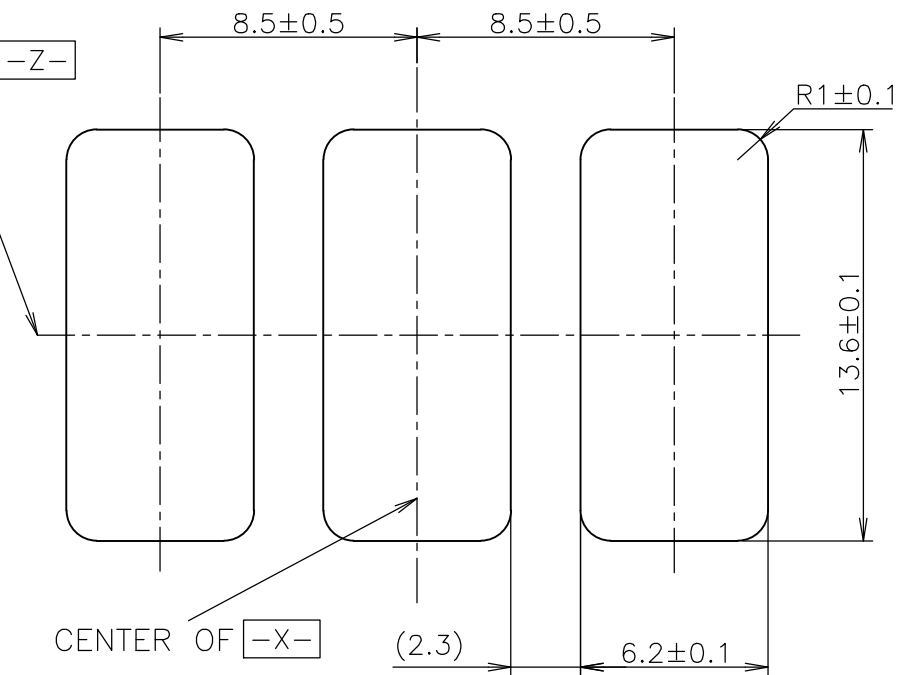
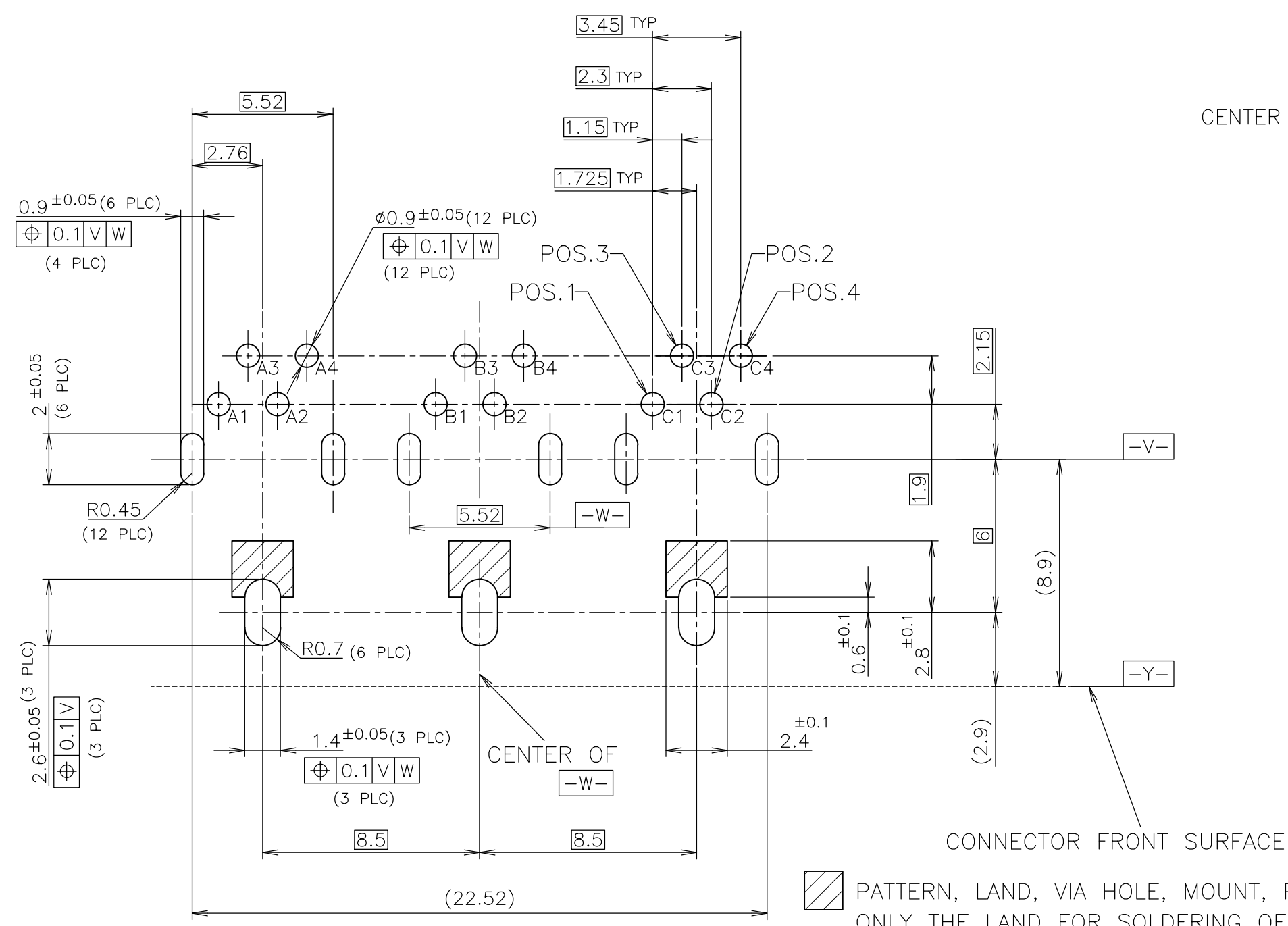
④ OBSOLETE PARTS: OBSOLETE CIS STREAMLINING PER D.RENAUD/D.SINISI



THIS DRAWING IS A CONTROLLED DOCUMENT.		DWN S.TODA 12DEC2001	TE Connectivity		
DIMENSIONS: 单位: 毫米 mm		CHK T.Z 12DEC2001			
TOLERANCES UNLESS OTHERWISE SPECIFIED: 一般公差		APVD H.KODAMA 12DEC2001	NAME 名称		
0 PLC ± 0.3		PRODUCT SPEC 製品規格		USB CONNECTOR RECEPTACLE TYPE	
1 PLC ± 0.3		APPLICATION SPEC 取付適用規格		108-5804	
2 PLC ± 0.3		WEIGHT		SIZE A3	CAGE CODE 00779
3 PLC ± 0.3		CUSTOMER DRAWING		DRAWING NO 番号	G-1565589
4 PLC ± 0.3		FINISH 仕上		RESTRICTED TO	
ANGLES ± 3°		MATERIAL 材料		SCALE 尺度	2:1
①		SEE TABLE		SHEET	1 OF 6
				REV	E3

THIS DRAWING IS UNPUBLISHED. RELEASED FOR PUBLICATION DEC ,2001.
 © COPYRIGHT 2001 By - ALL RIGHTS RESERVED.

LOC	DIST	REVISIONS					
J	/	P	LTR	DESCRIPTION	DATE	DWN	APVD
		-		SEE SHEET 1	-	-	-



*THIS DIMENSIONS ARE NOT CONSIDERATION PANEL TOLERANCE AND PANEL ASSEMBLY TOLERANCE.

RECOMMENDED PANEL DIMENSION

PATTERN, LAND, VIA HOLE, MOUNT, PROHIBITION AREA. ONLY THE LAND FOR SOLDERING OF FRONT SHELL IS OK.

RECOMMENDED LAYOUT OF P.C.B
 (CONNECTOR MOUNTING SIDE)
 RECOMMENDED THICKNESS: 1.0~1.6mm

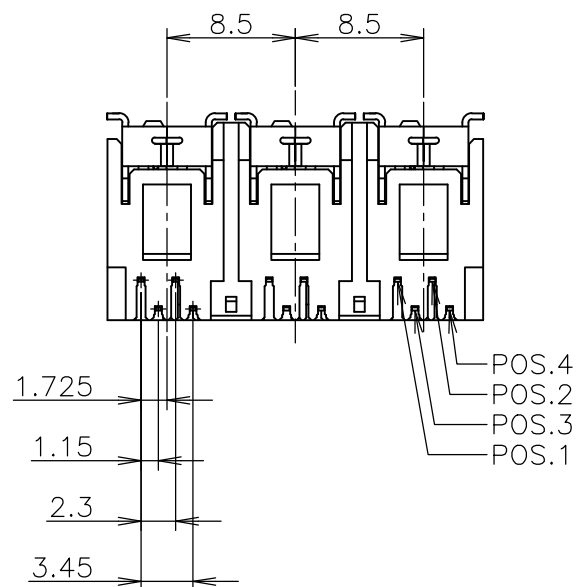
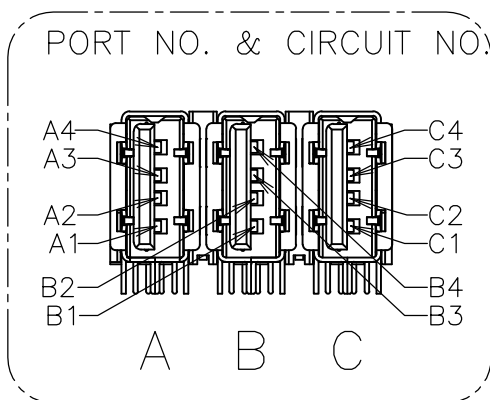
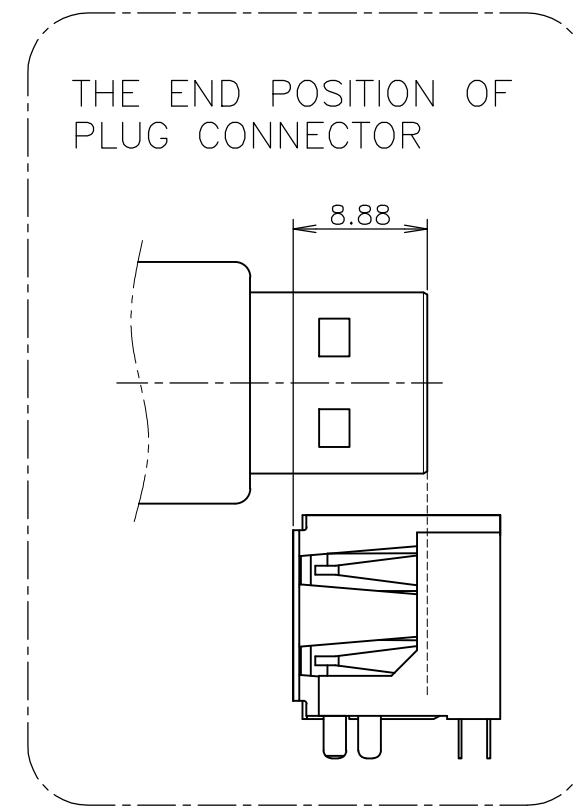
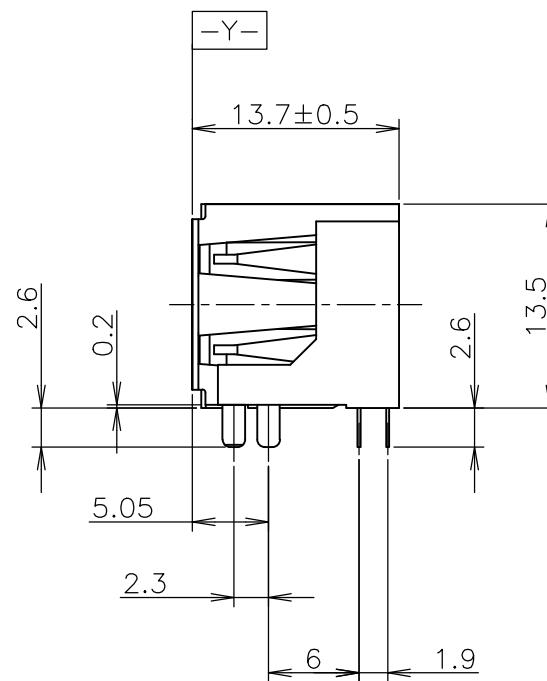
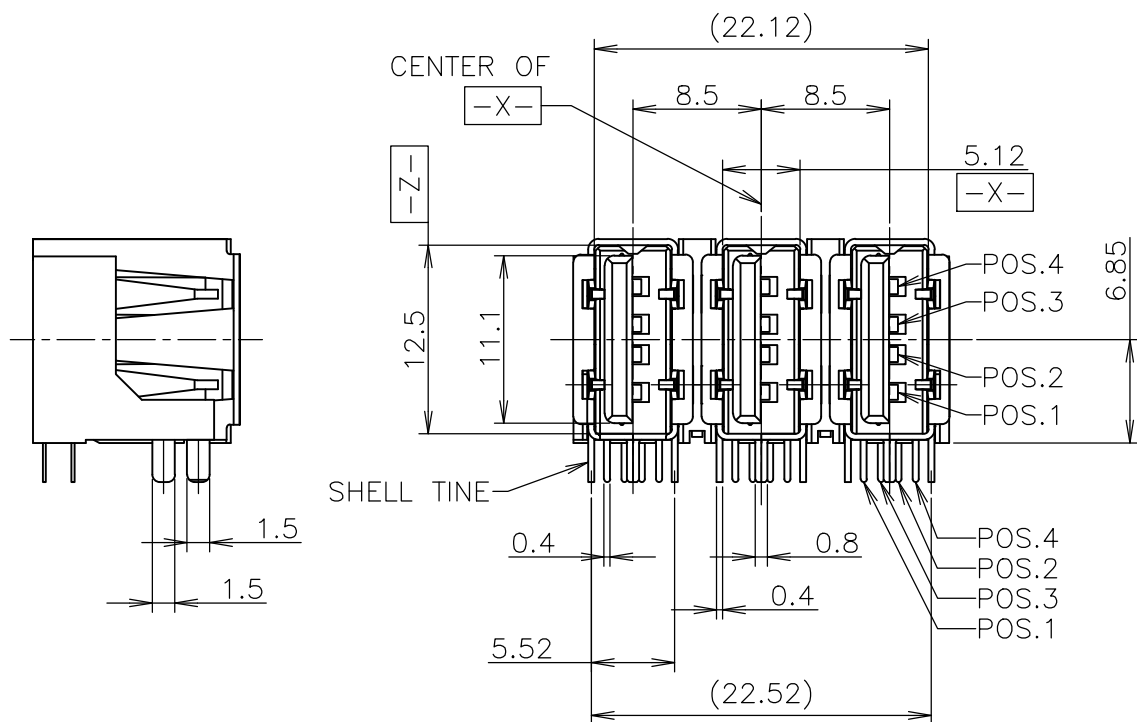
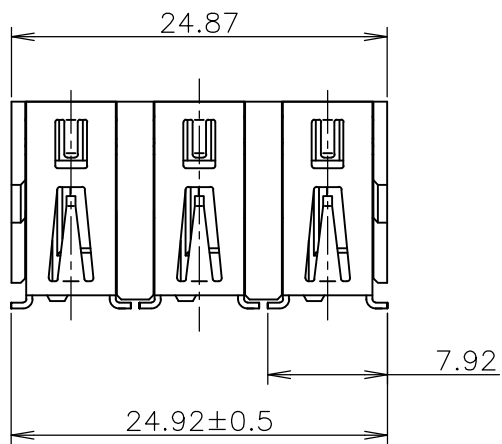
APPLICATION PRODUCT: 1565589-2
 4-1565589-3

THIS DRAWING IS A CONTROLLED DOCUMENT.		DWN	TE Connectivity		
DIMENSIONS: 单位: 耗 mm		CHK			
TOLERANCES UNLESS OTHERWISE SPECIFIED: 一般公差		APVD	NAME 名称		
0 PLC ± 0.3		PRODUCT SPEC 製品規格	USB CONNECTOR RECEPTACLE TYPE		
1 PLC ± 0.3		APPLICATION SPEC 取付適用規格	SIZE	CAGE CODE	DRAWING NO 番号
2 PLC ± 0.3		WEIGHT	A3	00779	C-1565589
3 PLC ± 0.3		CUSTOMER DRAWING	RESTRICTED TO		
4 PLC ± 0.3			SCALE 尺度 5:1		
ANGLES ± 3°			SHEET 2 OF 6		
FINISH 仕上			REV E3		

THIS DRAWING IS UNPUBLISHED. RELEASED FOR PUBLICATION DEC. 2001.
 © COPYRIGHT 2001 By - ALL RIGHTS RESERVED.

LOC		DIST		REVISIONS			DATE	DWN	APVD
P	LTR	DESCRIPTION							
J	/	-	-	SEE SHEET 1			-	-	-

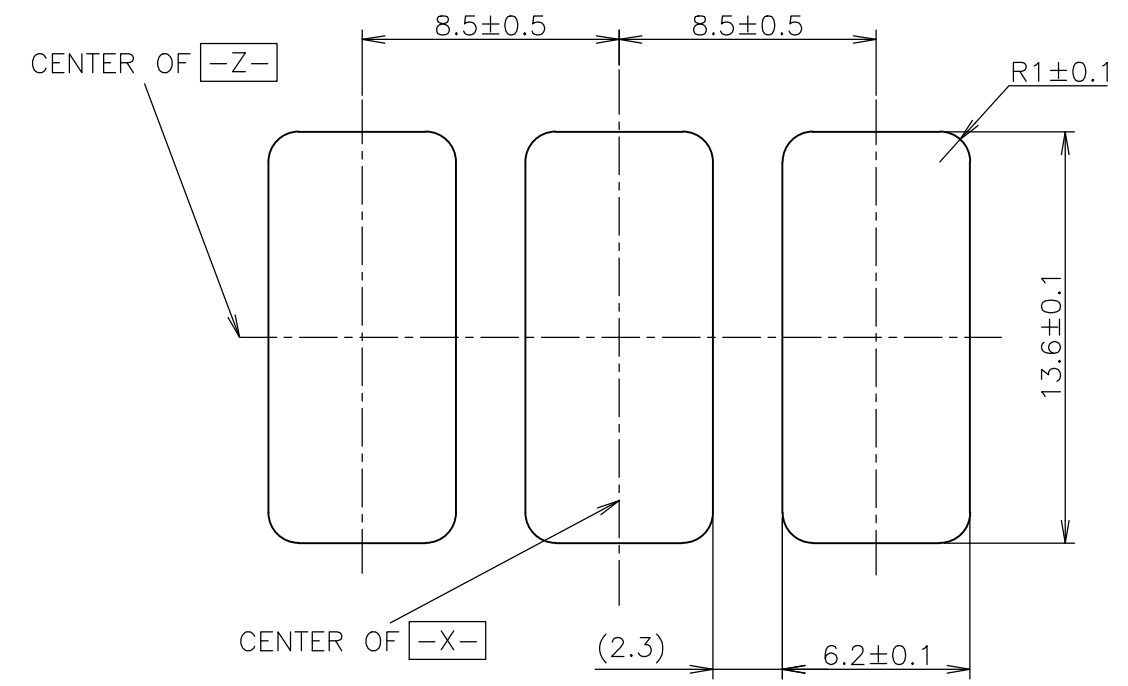
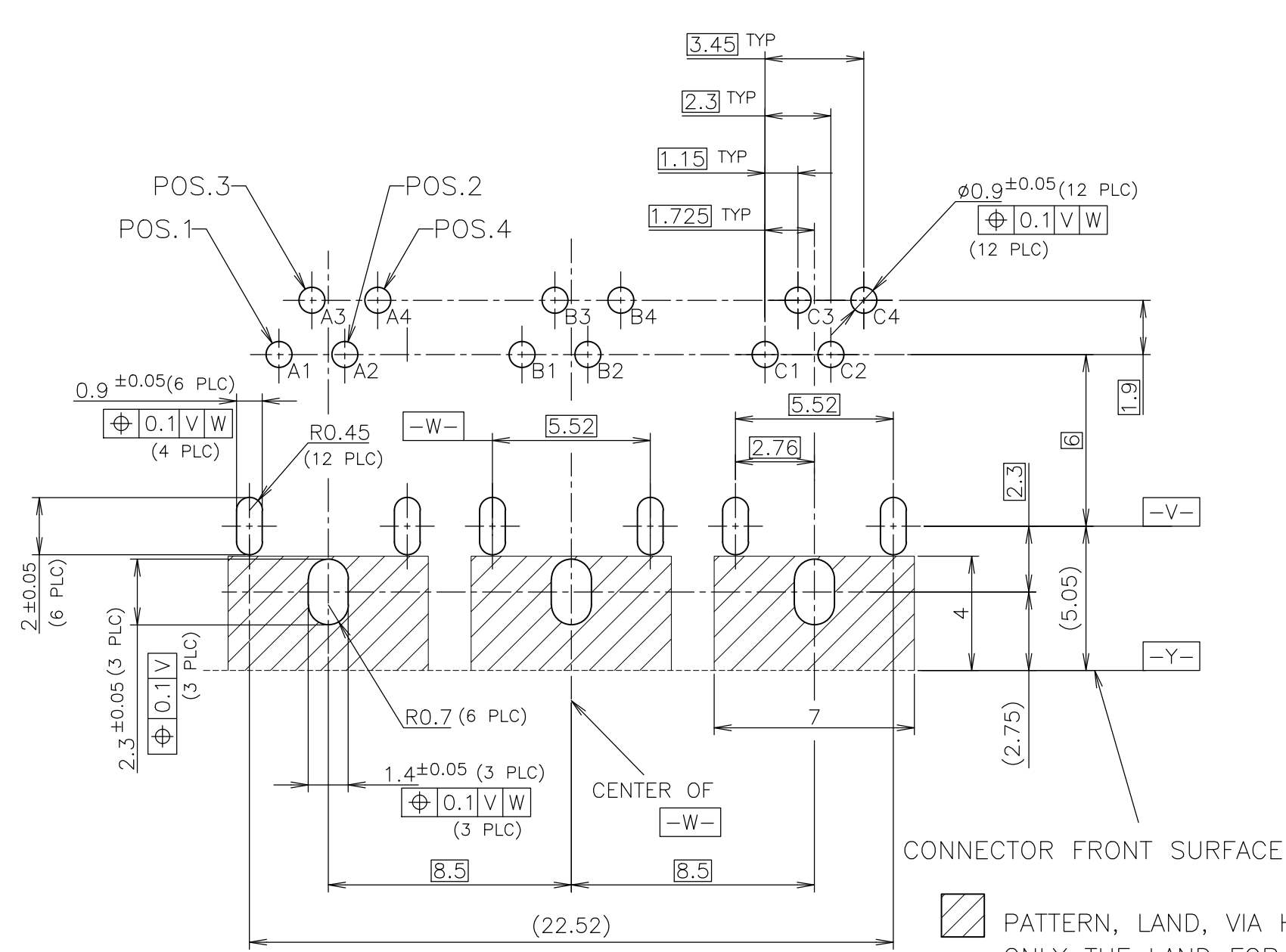
⊕E3
 △4
 6-1565589-1
 ; AS SHOWN



THIS DRAWING IS A CONTROLLED DOCUMENT.		DWN		TE Connectivity	
DIMENSIONS: 單位: 耗 mm		CHK			
TOLERANCES UNLESS OTHERWISE SPECIFIED: 一般公差		APVD		NAME 名称	
0 PLC ± 0.3		PRODUCT SPEC 製品規格		USB CONNECTOR RECEPTACLE TYPE	
1 PLC ± 0.3		APPLICATION SPEC 取付適用規格		SIZE	
2 PLC ± 0.3		WEIGHT		CAGE CODE	
3 PLC ± 0.3		CUSTOMER DRAWING		DRAWING NO 番号	
4 PLC ± 0.3		SCALE 尺度 5:1		A3 00779 C-1565589	
ANGLES ± 3°		SHEET 3 of 6		RESTRICTED TO	
MATERIAL 材料		FINISH 仕上		REV E3	

THIS DRAWING IS UNPUBLISHED. RELEASED FOR PUBLICATION DEC. 2001.
 © COPYRIGHT 2001 By - ALL RIGHTS RESERVED.

LOC	DIST	REVISIONS			DATE	DWN	APVD
		P	LTR	DESCRIPTION			
J	/	-	-	SEE SHEET 1	-	-	-



*THIS DIMENSIONS ARE NOT CONSIDERATION PANEL TOLERANCE AND PANEL ASSEMBLY TOLERANCE.

RECOMMENDED PANEL DIMENSION

RECOMMENDED LAYOUT OF P.C.B
 (CONNECTOR MOUNTING SIDE)
 RECOMMENDED THICKNESS: 1.0~1.6mm

PATTERN, LAND, VIA HOLE, MOUNT, PROHIBITION AREA.
 ONLY THE LAND FOR SOLDERING OF FRONT SHELL IS OK.

THIS DRAWING IS A CONTROLLED DOCUMENT.		DWN	STE TE Connectivity		
DIMENSIONS: 単位: 耗 mm		CHK			
TOLERANCES UNLESS OTHERWISE SPECIFIED: 一般公差		APVD	NAME 名称		
	0 PLC ± 0.3	PRODUCT SPEC 製品規格	USB CONNECTOR RECEPTACLE TYPE		
	1 PLC ± 0.3	APPLICATION SPEC 取付適用規格	SIZE	CAGE CODE	DRAWING NO 番号
	2 PLC ± 0.3	WEIGHT	A3	00779	G-1565589
	3 PLC ± 0.3	RESTRICTED TO			
4 PLC ± 0.3	CUSTOMER DRAWING				
ANGLES ± 3°	SCALE 尺度 5:1			SHEET 4 OF 6	REV E3
MATERIAL 材料	FINISH 仕上				



THIS DRAWING IS UNPUBLISHED.

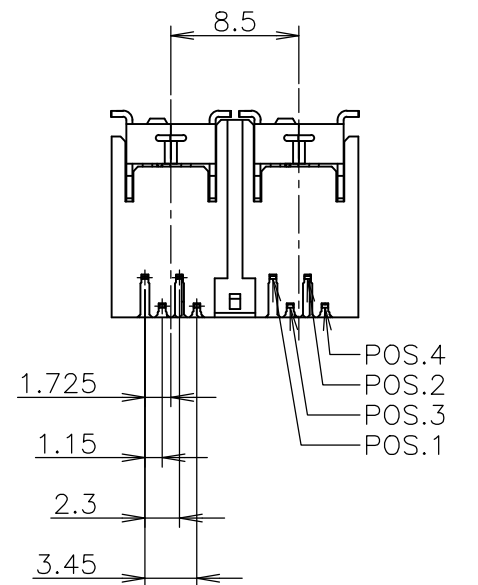
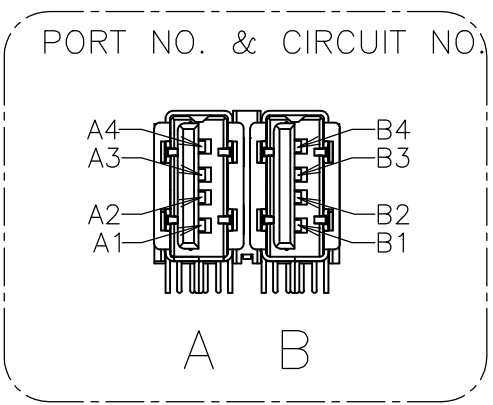
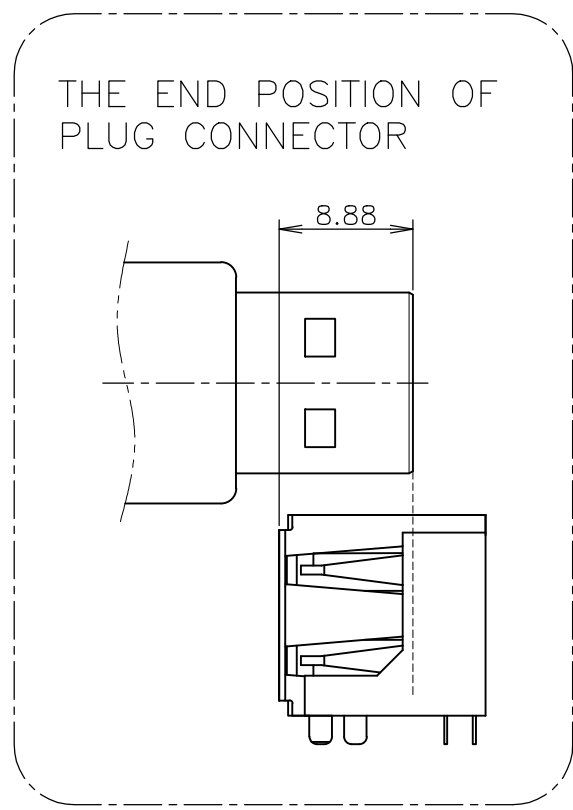
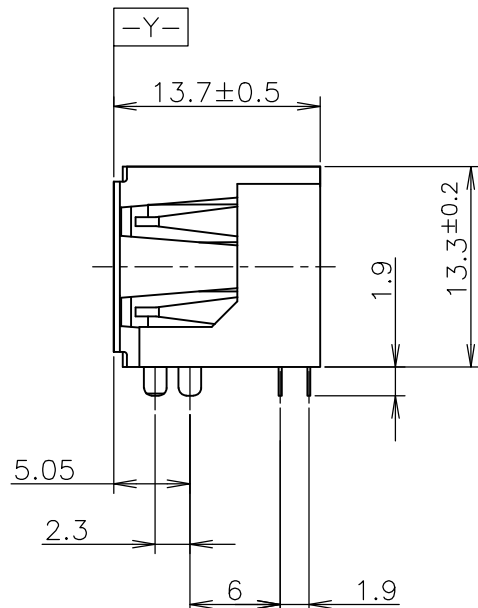
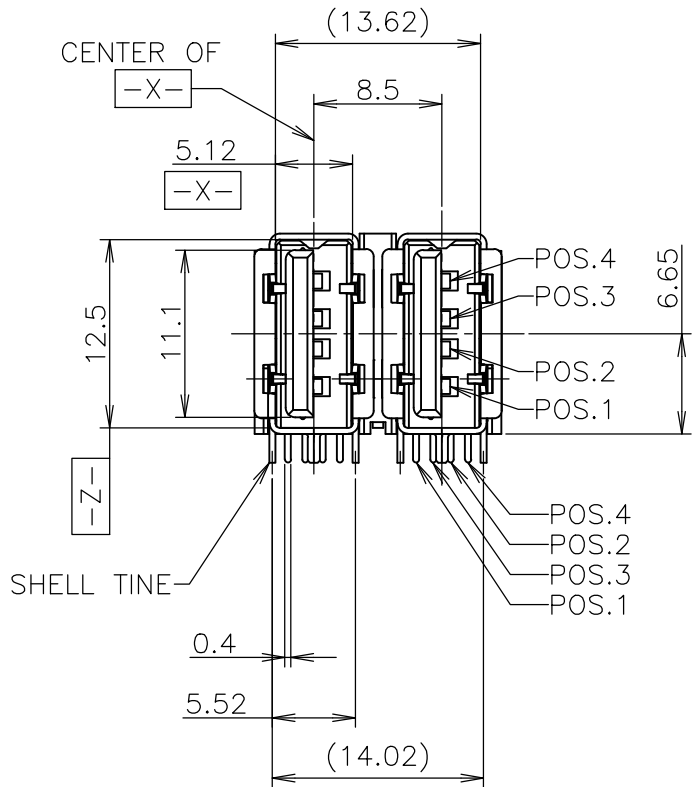
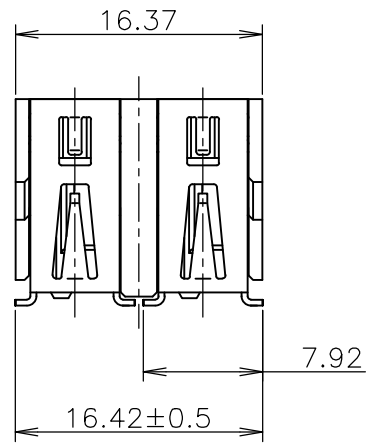
RELEASED FOR PUBLICATION DEC ,2001.


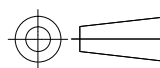
© COPYRIGHT 2001 By -

ALL RIGHTS RESERVED.

LOC	DIST	REVISIONS		
		P	LTR	DESCRIPTION
J	/	-	-	SEE SHEET 1
				DATE
				DWN
				APVD

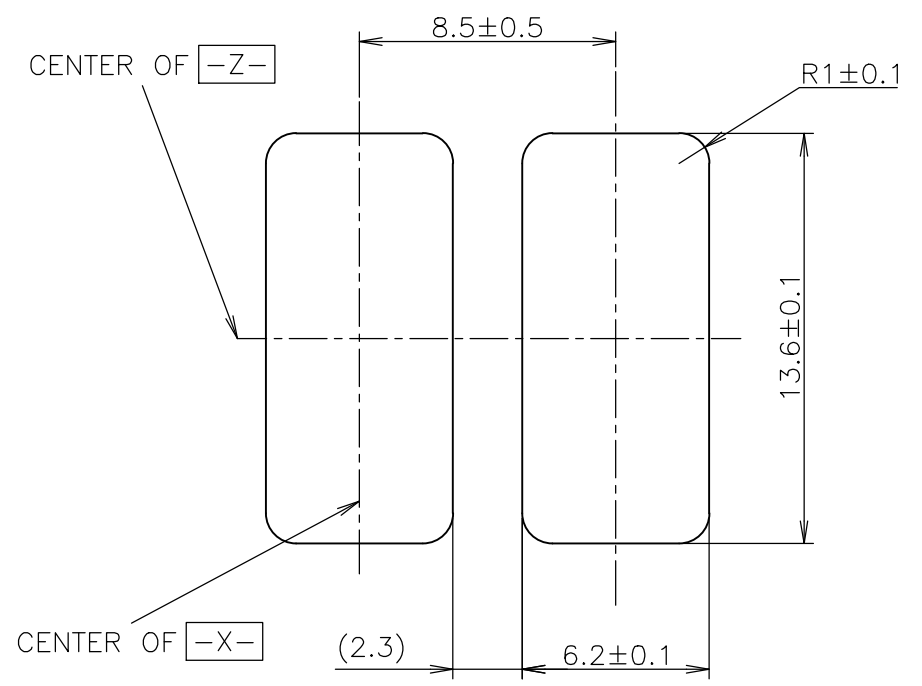
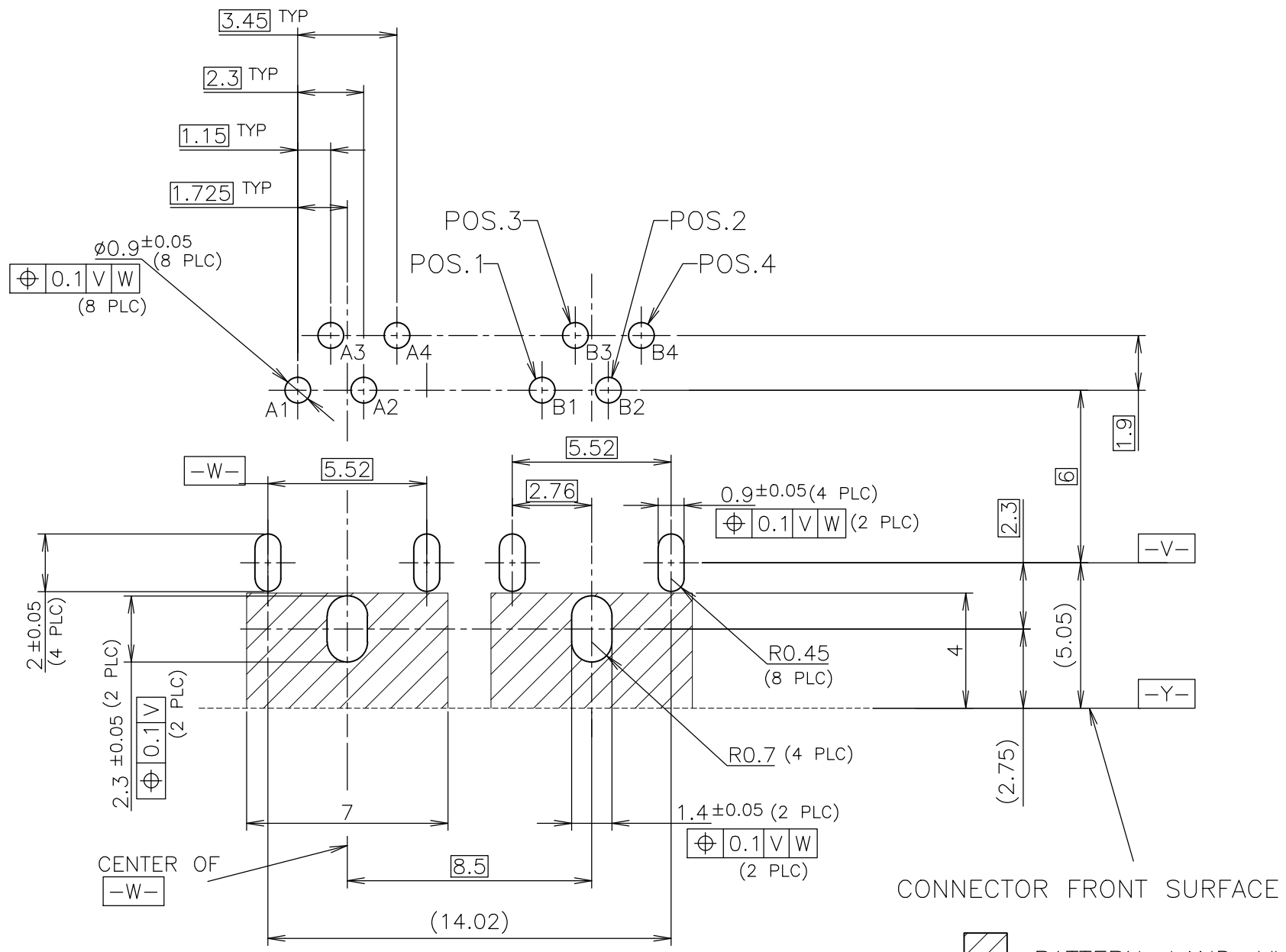
 6-1565589-2
 3-1565589-3
 ; AS SHOWN



THIS DRAWING IS A CONTROLLED DOCUMENT.		DWN		 TE Connectivity	
DIMENSIONS: 单位: 耗 mm		CHK			
TOLERANCES UNLESS OTHERWISE SPECIFIED: 一般公差		APVD		NAME 名称	
0 PLC ± 0.3 1 PLC ± 0.3 2 PLC ± 0.3 3 PLC ± 0.3 4 PLC ± 0.3 ANGLES ± 3°		PRODUCT SPEC 製品規格		USB CONNECTOR RECEPTACLE TYPE	
MATERIAL 材料		FINISH 仕上		APPLICATION SPEC 取付適用規格	
		WEIGHT		SIZE CAGE CODE DRAWING NO 番号	
CUSTOMER DRAWING		A3 00779		G-1565589	
SCALE 尺度 5:1		SHEET 5 of 6		RESTRICTED TO REV E3	

THIS DRAWING IS UNPUBLISHED. RELEASED FOR PUBLICATION DEC. 2001.
 © COPYRIGHT 2001 By - ALL RIGHTS RESERVED.

LOC	DIST	REVISIONS		
		P	LTR	DESCRIPTION
J	/	-	-	SEE SHEET 1
				DATE
				DWN
				APVD



*THIS DIMENSIONS ARE NOT CONSIDERATION
 PANEL TOLERANCE AND PANEL ASSEMBLY TOLERANCE.

RECOMMENDED PANEL DIMENSION

CONNECTOR FRONT SURFACE

PATTERN, LAND, VIA HOLE, MOUNT, PROHIBITION AREA.
 ONLY THE LAND FOR SOLDERING OF FRONT SHELL IS OK.

RECOMMENDED LAYOUT OF P.C.B
 (CONNECTOR MOUNTING SIDE)
 RECOMMENDED THICKNESS: 1.0~1.2mm

THIS DRAWING IS A CONTROLLED DOCUMENT.		DWN		TE Connectivity	
DIMENSIONS: 単位: 耗 mm		CHK			
TOLERANCES UNLESS OTHERWISE SPECIFIED: 一般公差		APVD		NAME 名称	
0 PLC ± 0.3		PRODUCT SPEC		USB CONNECTOR	
1 PLC ± 0.3		製品規格		RECEPTACLE TYPE	
2 PLC ± 0.3		APPLICATION SPEC		SIZE	
3 PLC ± 0.3		取付適用規格		CAGE CODE	
4 PLC ± 0.3		WEIGHT		DRAWING NO	
ANGLES ± 3'		CUSTOMER DRAWING		番号	
FINISH 仕上		SCALE 尺度 5:1		A3 00779 C-1565589	
MATERIAL 材料		SHEET 6 of 6		RESTRICTED TO	
		REV E3			