



Chipsmall Limited consists of a professional team with an average of over 10 year of expertise in the distribution of electronic components. Based in Hongkong, we have already established firm and mutual-benefit business relationships with customers from,Europe,America and south Asia,supplying obsolete and hard-to-find components to meet their specific needs.

With the principle of “Quality Parts,Customers Priority,Honest Operation,and Considerate Service”,our business mainly focus on the distribution of electronic components. Line cards we deal with include Microchip,ALPS,ROHM,Xilinx,Pulse,ON,Everlight and Freescale. Main products comprise IC,Modules,Potentiometer,IC Socket,Relay,Connector.Our parts cover such applications as commercial,industrial, and automotives areas.

We are looking forward to setting up business relationship with you and hope to provide you with the best service and solution. Let us make a better world for our industry!



Contact us

Tel: +86-755-8981 8866 Fax: +86-755-8427 6832

Email & Skype: info@chipsmall.com Web: www.chipsmall.com

Address: A1208, Overseas Decoration Building, #122 Zhenhua RD., Futian, Shenzhen, China



THIS DRAWING IS UNPUBLISHED.
 VERTRAULICHE UNVEROFFENTLICHTE ZEICHNUNG
 © COPYRIGHT 2008

RELEASED FOR PUBLICATION
 FREI FUER VEROFFENTLICHUNG
 - 2008
 ALL RIGHTS RESERVED.
 ALLE INTERNATIONALEN RECHTE VORBEHALTEN.

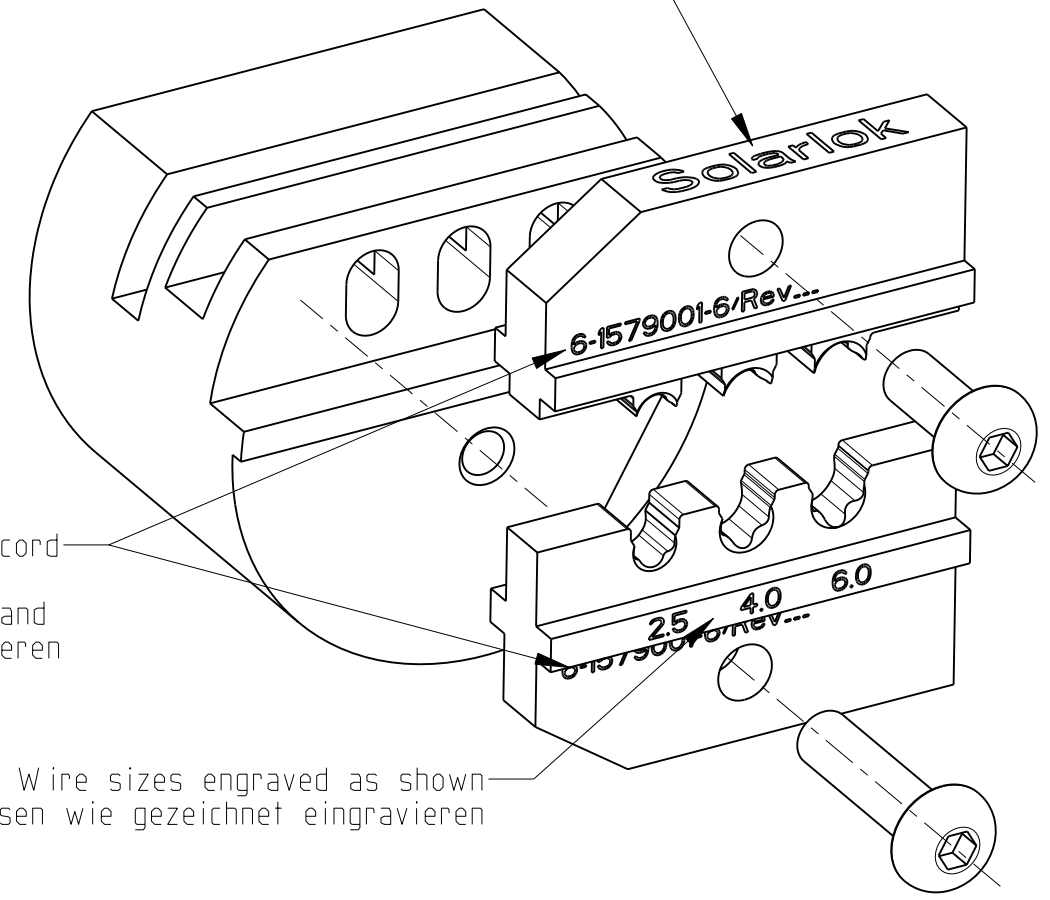
LOC	DIST	REVISIONS			
AI	-	AENDERUNGEN			
PROJEKT NR.:		P	LTR	DESCRIPTION	DATE
				BESCHREIBUNG	DWN
					APVD
			B	ECR-08-023312	16SEP2008
			C	ECR-11-009199	04MAY2011
					RN
					LB

6-1579001-6	1	411-18313	Instr. Sheet	Bedienungsanleitung	4
	1	1-0519151-1	Screw M4x16	Schraube M4x16	3
	1	8-0539634-5	Screw M4x11	Schraube M4x11	2
	1	1-1579023-7	3 Pos. Contact Locator	3 Pos. Kontaktpositionierer	1
	QTY	TE P/N	Description	Benennung	Pos.
	Stck				

DIE SET FOR SOLARLOK CONTACTS 2,5/4,0/6,0 mm²
 MATRIZE FUER SOLARLOK-KONTAKTE 2,5/4,0/6,0 mm²

Description engraved on top of the die
 Bezeichnung auf Matrizenoberseite eingravieren

Contact TE P/N Kontakt TE P/N	Crimpsection Crimpbereich mm ²	Crimping height Crimphoehe mm	Crimping width Crimpbreite mm
4-1105300-1	2,5	*	*
4-1105301-1	2,5	*	*
5-1105300-1	4,0	*	*
5-1105301-1	4,0	*	*
7-1105300-2	6,0	*	*
7-1105301-2	6,0	*	*




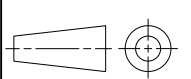
TE P/N and revision record engraved as shown
 TE P/N und Revisionsstand wie gezeichnet eingravieren

Wire sizes engraved as shown
 Crimpgroessen wie gezeichnet eingravieren

* Crimpdata according to application specification 114-94061 (subject to technical modifications)
 Crimpdaten nach Verarbeitungsspezifikation 114-94061 (Aenderungen vorbehalten)

Ersatzmatrize fuer Solarlok Handzange TE Connectivity P/N 1579004-8
 Spare die set for Solarlok Handtool TE Connectivity P/N 1579004-8

Instruction Sheet 411-18313
 Bedienungsanleitung 411-18313

THIS DRAWING IS A CONTROLLED DOCUMENT. DIESES ZEICHNUNGSDOKUMENT WIRD DURCH AMP INCORPORATED KONTROLLIERT. AENDERUNGEN, DIE DEM TECHNISCHEN FORTSCHRITT DIENEN, SIND VORBEHALTEN. DEN JEWEILS LETZTUELTIGEN AENDERUNGSSTAND ERFAHREN SIE AUF ANFRAGE.		DWN Klawonn	10MAR2004	 TE Connectivity	
DIMENSIONS: MASSEINHEITEN: mm		CHK -	APVD -		
TOLERANCES UNLESS OTHERWISE SPECIFIED: ALLGEMEINTOLERANZEN		PRODUCT SPEC PRODUKTSPEZ. -		NAME DIE SET FOR SOLARLOK HANDTOOL MATRIZE FUER SOLARLOK HANDZANGE	
		APPLICATION SPEC VERARBEITUNGSSPEZ. -		SIZE A3	CAGE CODE 00779
MATERIAL -		FINISH/OBERFLAECHE/FARBE -		DRAWING NO ZEICHNUNGS-NR. G-6-1579001-6	RESTRICTED TO NUR FUER -
		WEIGHT GEWICHT 200 g		SCALE MASSSTAB 5:1	SHEET BLATT 1 OF VON 1
		CUSTOMER DRAWING		/KUNDENZEICHNUNG	REV C