



Chipsmall Limited consists of a professional team with an average of over 10 year of expertise in the distribution of electronic components. Based in Hongkong, we have already established firm and mutual-benefit business relationships with customers from,Europe,America and south Asia,supplying obsolete and hard-to-find components to meet their specific needs.

With the principle of "Quality Parts,Customers Priority,Honest Operation,and Considerate Service",our business mainly focus on the distribution of electronic components. Line cards we deal with include Microchip,ALPS,ROHM,Xilinx,Pulse,ON,Everlight and Freescale. Main products comprise IC,Modules,Potentiometer,IC Socket,Relay,Connector.Our parts cover such applications as commercial,industrial, and automotives areas.

We are looking forward to setting up business relationship with you and hope to provide you with the best service and solution. Let us make a better world for our industry!



## Contact us

Tel: +86-755-8981 8866 Fax: +86-755-8427 6832

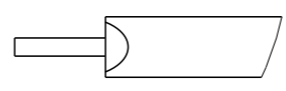
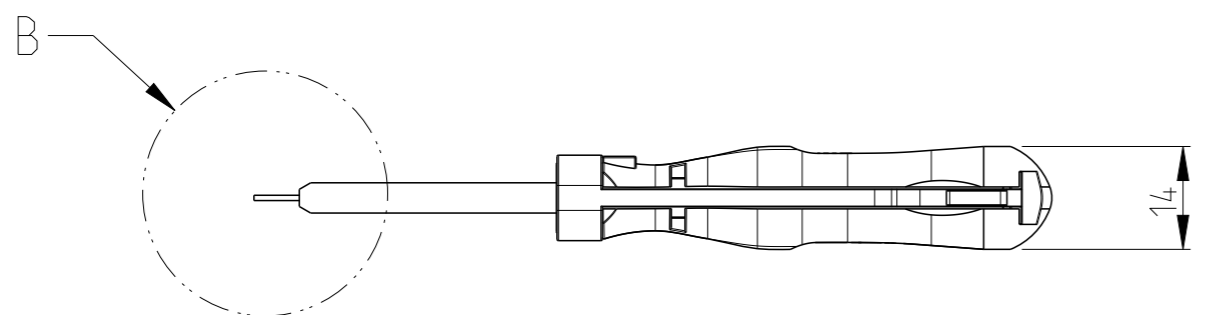
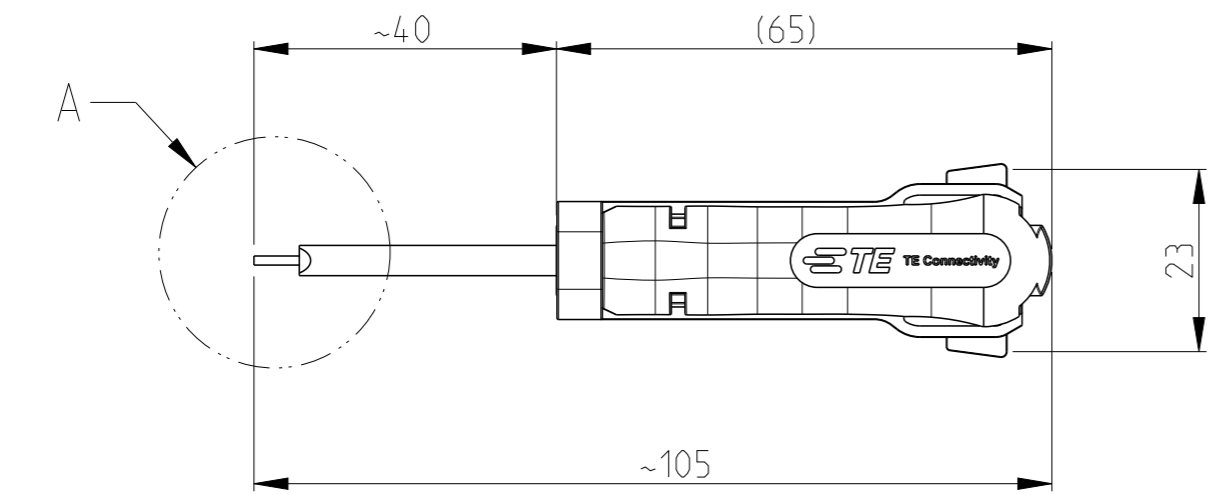
Email & Skype: info@chipsmall.com Web: www.chipsmall.com

Address: A1208, Overseas Decoration Building, #122 Zhenhua RD., Futian, Shenzhen, China

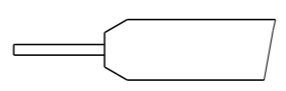


REVISIONS

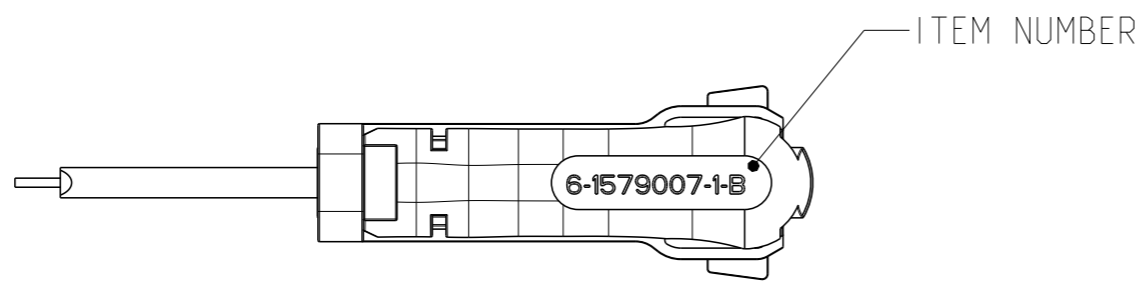
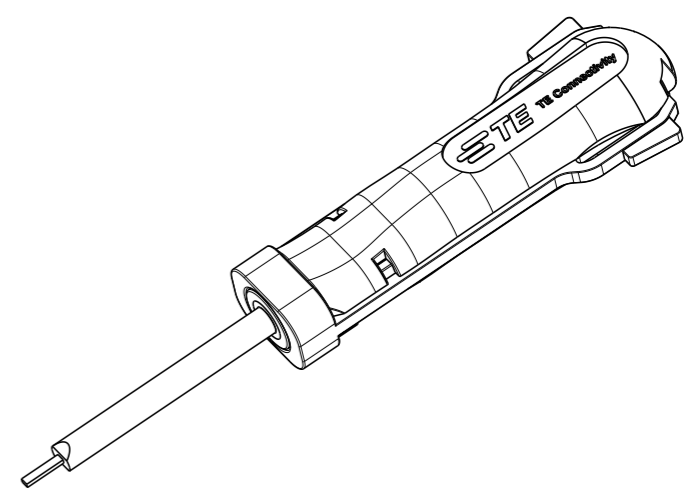
P	LTR	DESCRIPTION	DATE	DWN	APVD
	B1	ECR-16-014888	21OCT2016	KH	BM



A  
2:1



B  
2:1



APPLICATION RANGE /Anwendungsbereich:

FOR MQS/MQS1.2      963715, 928999,  
 1411560, 928918  
 962885 and 963727

THIS DRAWING IS A CONTROLLED DOCUMENT.		DWN H. Fink 18DEC06		
DIMENSIONS: mm		CHK G. Stegmayer 13DEC2006		
TOLERANCES UNLESS OTHERWISE SPECIFIED:		APVD G. Stegmayer 13DEC2006	NAME EXTRACTION TOOL Entriegelungswerkzeug	
		PRODUCT SPEC -	RESTRICTED TO -	
MATERIAL -		FINISH -	APPLICATION SPEC -	SIZE A3
		WEIGHT 0.050kg	CAGE CODE 00779	DRAWING NO C-6-1579007-1
		CUSTOMER DRAWING	SCALE 5:1	SHEET 1 OF 1
				REV B1