



Chipsmall Limited consists of a professional team with an average of over 10 year of expertise in the distribution of electronic components. Based in Hongkong, we have already established firm and mutual-benefit business relationships with customers from,Europe,America and south Asia,supplying obsolete and hard-to-find components to meet their specific needs.

With the principle of “Quality Parts,Customers Priority,Honest Operation,and Considerate Service”,our business mainly focus on the distribution of electronic components. Line cards we deal with include Microchip,ALPS,ROHM,Xilinx,Pulse,ON,Everlight and Freescale. Main products comprise IC,Modules,Potentiometer,IC Socket,Relay,Connector.Our parts cover such applications as commercial,industrial, and automotives areas.

We are looking forward to setting up business relationship with you and hope to provide you with the best service and solution. Let us make a better world for our industry!



Contact us

Tel: +86-755-8981 8866 Fax: +86-755-8427 6832

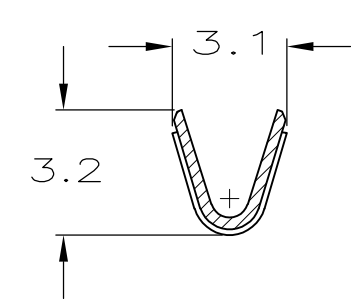
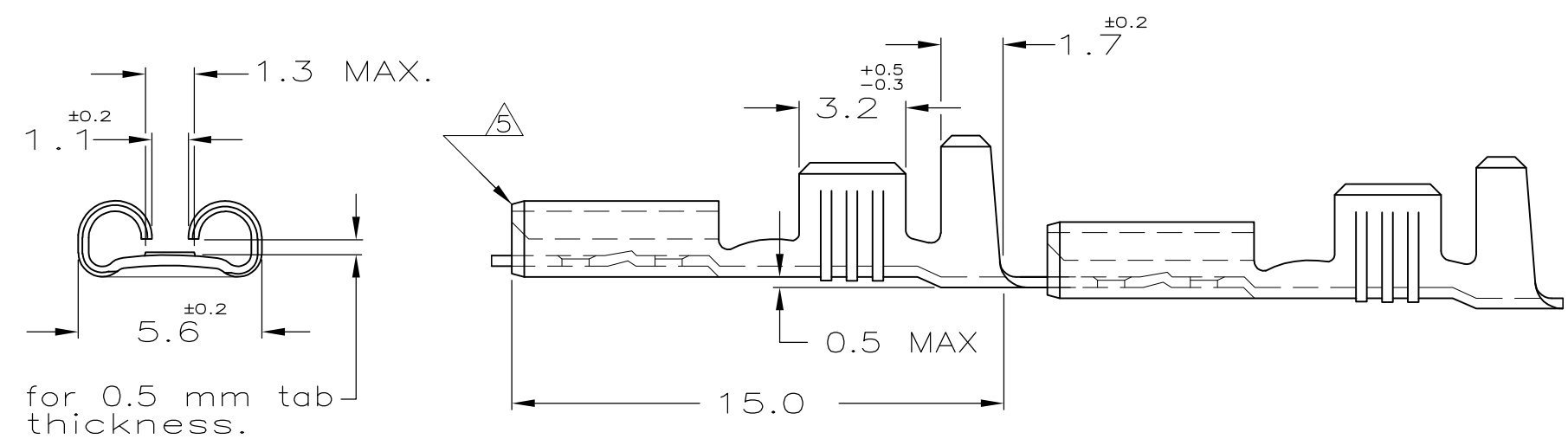
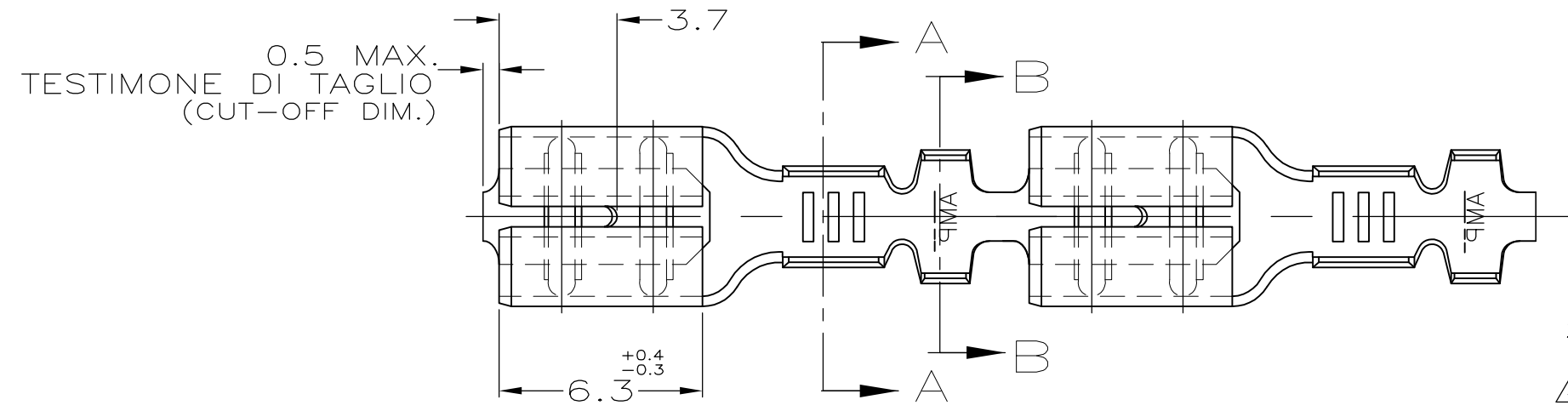
Email & Skype: info@chipsmall.com Web: www.chipsmall.com

Address: A1208, Overseas Decoration Building, #122 Zhenhua RD., Futian, Shenzhen, China

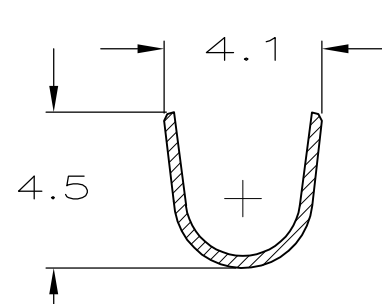


THIS DRAWING IS UNPUBLISHED.
 QUESTO DISEGNO NON DEVE ESSERE DIVULGATO O RIPRODOTTO.
 © COPYRIGHT - By -
 RELEASED FOR PUBLICATION
 E' CONSENTITA LA DIVULGAZIONE
 ALL RIGHTS RESERVED.
 TUTTI I DIRITTI SONO RISERVATI

LOC	DIST	REVISIONS REVISIONI			
P	LTR REV	DESCRIPTION DESCRIZIONE	DATE DATA	DWN DIS.	APVD APP.
-	-	AZ3	REVISED PER ECO-11-005301	02MAR11	RK HMR



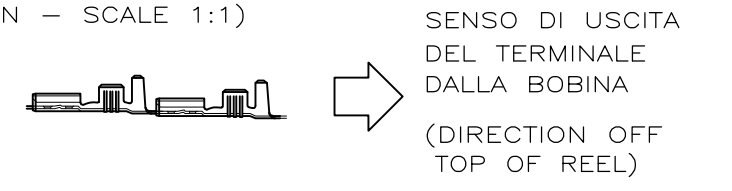
(SEZIONE A-A)
(SECTION A-A)



(SEZIONE B-B)
(SECTION B-B)

DIAM. ISOLANTE INSUL. RANGE	RANGO FILO WIRE RANGE
2.3-3.3mm ϕ	0.5 - 1.5mm ²

- 1) STATO DI FORNITURA - SCALA 1:1
(SUPPLY CONDITION - SCALE 1:1)
 - 2) SPECIFICA DI PRODOTTO 108-20019
(PRODUCT SPEC. 108-20019)
 - 3) BOBINATO CON INTRODUZIONE DI CARTA INTERPOSTA
(REELED WITH INTERLEAVE PAPER STRIP)
 - 4) PER LE VERSIONI IN PEZZI SCIOLTI
VEDERE DISEGNO 160493
(FOR LOOSE PIECE VERSION SEE DRAWING 160493).
- 5) SMUSSO FRONTALE
(CHAMFER AROUND FRONT OF RECEPTACLE)
- 6) FABBRICATO IN TE CONNECTIVITY BRASIL, QUANTITA' PER BOBINA 15M.
(MANUFACTURED IN TE CONNECTIVITY BRASIL, Q.TY/REEL 15M).



\triangle/\triangle	STAGNATO (TIN PLATED)	OTTONE (BRASS)	7-160433-8	AY
\triangle	NUDO (UNPLATED)	OTTONE (BRASS)	7-160433-1	AY
	STAGNATO (TIN PLATED)	BRONZO FOSF. (PH. BRONZE)	6-160433-5	Z
\triangle	STAGNATO (TIN PLATED)	OTTONE (BRASS)	5-160433-6	AY
OBSOLETE	PRE NICHELATO (PRE NICKEL PL.)	ACCIAIO (STEEL)	5-160433-4	Z
	NUDO (UNPLATED)	OTTONE (BRASS)	5-160433-1	Z
NOTE	FINITURA/COLORE (FINISH/COLOR)	MATERIALE (MATERIAL)	NUMERO (P/N)	REV

THIS DRAWING IS A CONTROLLED DOCUMENT. QUESTO DISEGNO E' UN DOCUMENTO CONTROLLATO.		DWN/DIS. 01 FEB 2000 H.YAALI	TE Connectivity FASTON Connector, .187 sr. REC. CONTACT.		
DIMENSIONS: DIMENSIONI: mm		CHK/CONT. 01 FEB 2000 C.TARTARI			
TOLERANCES UNLESS OTHERWISE SPECIFIED: TOLLERANZE: SE NON DIVERSAMENTE SPECIFICATO		APVD / APP.	NAME NOME		
0 PLC / DEC \pm -		PRODUCT SPEC SPEC DI PRODOTTO	SIZE		
1 PLC / DEC \pm 0.3		APPLICATION SPEC SPEC DI APPLICAZIONE	CAGE CODE		
2 PLC / DEC \pm -		WEIGHT PESO	DRAWING NO NUMERO		
3 PLC / DEC \pm -			RESTRICTED TO		
4 PLC / DEC \pm -			A3 00779 C-160433		
ANGLES / ANGOLI \pm 2'			SCALE SCALA 5:1		
MATERIAL MATERIALE -			SHEET FOGLIO 1 OF DI 1		
FINISH FINITURA -			REV AZ3		
		CUSTOMER DRAWING DISEGNO PER CLIENTE SOLO PER RIFERIMENTO			