



Chipsmall Limited consists of a professional team with an average of over 10 year of expertise in the distribution of electronic components. Based in Hongkong, we have already established firm and mutual-benefit business relationships with customers from,Europe,America and south Asia,supplying obsolete and hard-to-find components to meet their specific needs.

With the principle of “Quality Parts,Customers Priority,Honest Operation,and Considerate Service”,our business mainly focus on the distribution of electronic components. Line cards we deal with include Microchip,ALPS,ROHM,Xilinx,Pulse,ON,Everlight and Freescale. Main products comprise IC,Modules,Potentiometer,IC Socket,Relay,Connector.Our parts cover such applications as commercial,industrial, and automotives areas.

We are looking forward to setting up business relationship with you and hope to provide you with the best service and solution. Let us make a better world for our industry!



## Contact us

Tel: +86-755-8981 8866 Fax: +86-755-8427 6832

Email & Skype: info@chipsmall.com Web: www.chipsmall.com

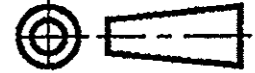
Address: A1208, Overseas Decoration Building, #122 Zhenhua RD., Futian, Shenzhen, China



DO NOT SCALE  
DIMENSIONS IN mm

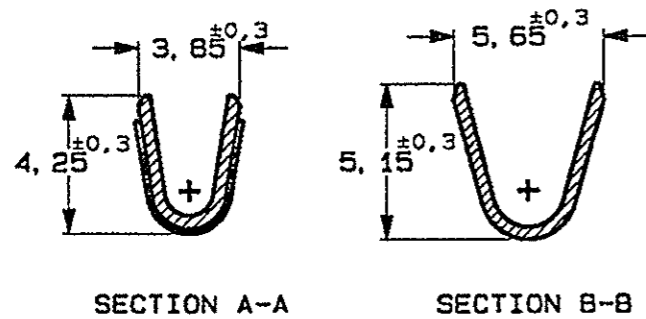
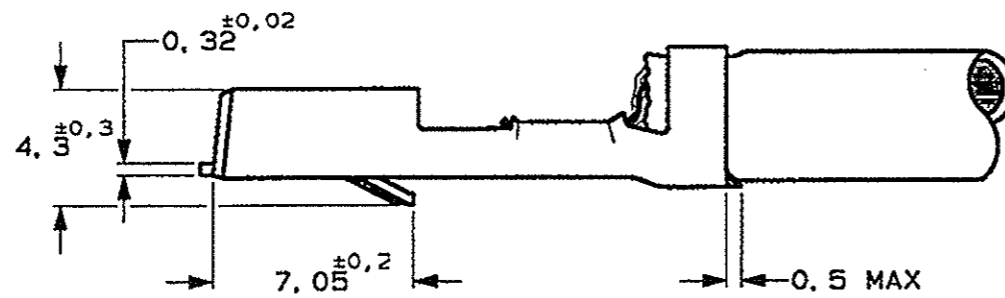
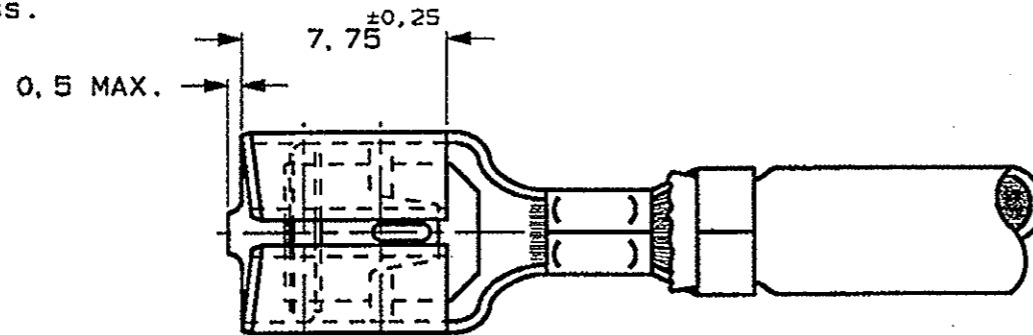
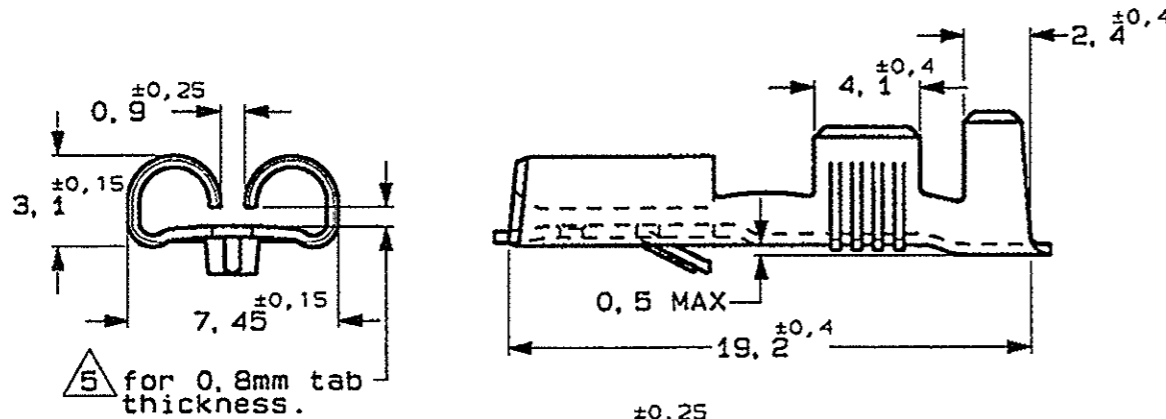
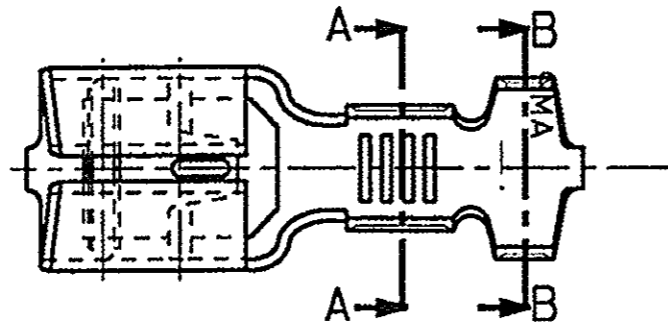
METRIC

THIRD ANGLE  
PROJECTION



NOTES

- 1 FOR USE ON MINIATURE APPLICATORS ( LEFT-RIGHT FEED ) AND STANDARD APPLICATORS ( RIGHT-LEFT FEED ).
- 2 FOR USE ON MINIATURE APPLICATORS (AMP-O-MATOR APPLICATION ). ( LEFT-RIGHT FEED ).
- 3 BRASS ACC ASTM B36 ALLOY 260.
- 4 PH.BRONZE ACC ASTM B103.
- 5 GAGE 0,71 MUST NOT ENTER, GAGE 0,51 MUST ENTER.



WIRE RANGE :  
1,0-2,5 mm<sup>2</sup>  
INSULATION RANGE :  
3,4-5,1mm DIA.

DIRECTION OFF TOP OF REEL



|         |                 |           |            |
|---------|-----------------|-----------|------------|
| SILVER  | 6-160448-6      | BRASS     | 6-160449-6 |
| TIN     | 6-160448-5      | BRASS     | 6-160449-5 |
| SILVER  | 6-160448-3      | PH.BRONZE | 6-160449-3 |
| TIN     | 6-160448-2/6--8 | PH.BRONZE | 6-160449-2 |
| PLAIN   | 6-160448-1      | PH.BRONZE | 6-160449-1 |
| PLAIN   | 6-160448-0/6--7 | BRASS     | 6-160449-0 |
| PLATING | STRIPNUMBER     | MATERIAL  | PARTNUMBER |

CUSTOMER DRAWING FOR REFERENCE ONLY  
WILL NOT BE UPDATED

THIS DRAWING IS UNPUBLISHED  
RELEASED FOR PUBLICATION



NAME  
.250 SRS FASTIN-ON RECEPTACLE.

|       |                           |       |           |           |
|-------|---------------------------|-------|-----------|-----------|
| A2    | REVISED PER ECO-11-005140 | RK    | HMR       | 31MAR11   |
| LTR.  | REVISION RECORD           | DR.   | CHK.      | DATE      |
| DR.:  | D. KESSLER                | CHK.: | P. BETJON | APP.:     |
| DATE: | 19 JAN 95                 | DATE: | -         | DATE:     |
|       |                           |       |           | L.V.SOEST |

|         |        |   |          |    |       |        |    |
|---------|--------|---|----------|----|-------|--------|----|
| DWG.No. | 160449 | R | REV.LTR. | A2 | SHEET | 1 OF 1 | A3 |
|---------|--------|---|----------|----|-------|--------|----|