



Chipsmall Limited consists of a professional team with an average of over 10 year of expertise in the distribution of electronic components. Based in Hongkong, we have already established firm and mutual-benefit business relationships with customers from,Europe,America and south Asia,supplying obsolete and hard-to-find components to meet their specific needs.

With the principle of “Quality Parts,Customers Priority,Honest Operation,and Considerate Service”,our business mainly focus on the distribution of electronic components. Line cards we deal with include Microchip,ALPS,ROHM,Xilinx,Pulse,ON,Everlight and Freescale. Main products comprise IC,Modules,Potentiometer,IC Socket,Relay,Connector.Our parts cover such applications as commercial,industrial, and automotives areas.

We are looking forward to setting up business relationship with you and hope to provide you with the best service and solution. Let us make a better world for our industry!



## Contact us

Tel: +86-755-8981 8866 Fax: +86-755-8427 6832

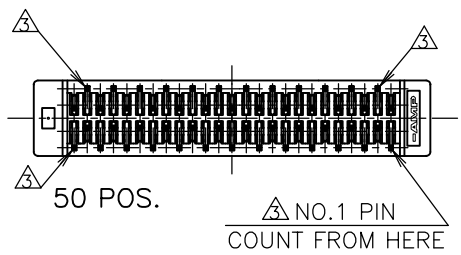
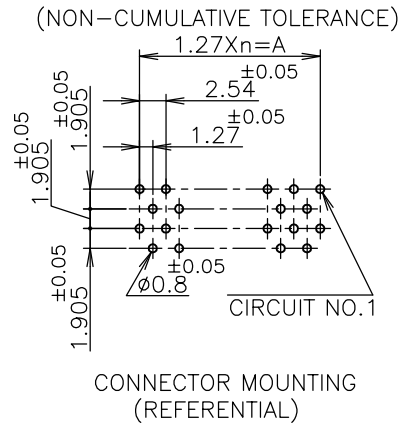
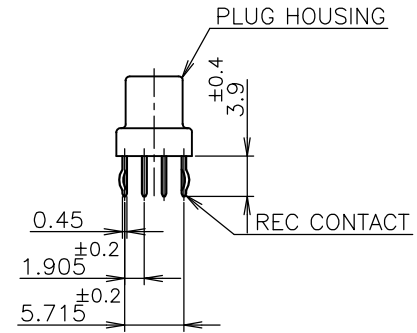
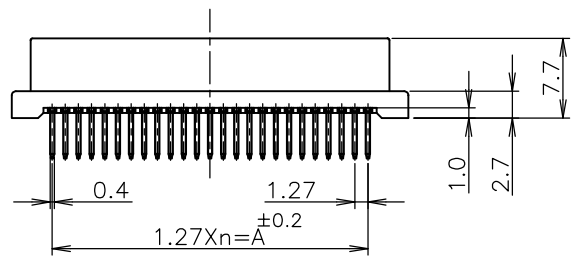
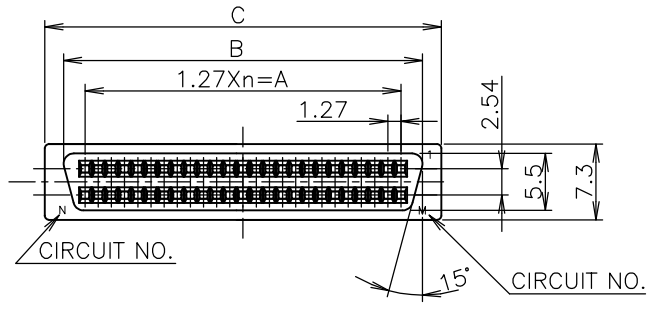
Email & Skype: info@chipsmall.com Web: www.chipsmall.com

Address: A1208, Overseas Decoration Building, #122 Zhenhua RD., Futian, Shenzhen, China



THIS DRAWING IS UNPUBLISHED. RELEASED FOR PUBLICATION JUL ,2004.  
 © COPYRIGHT 2004 BY TYCO ELECTRONICS CORPORATION. ALL RIGHTS RESERVED.

LOC	DIST	REVISIONS					
J		P	LTR	DESCRIPTION	DATE	DWN	APVD
			O	RELEASED	FJB0-1044-04	22SEP04	J.Z I.E



- △ MATERIAL & FINISH  
 PLUG HOUSING: THERMOPLASTIC(UL94V-0)  
 COLOR: BLACK.  
 REC CONTACT: COPPER ALLOY.  
 FINISH: OVER NICKEL, MATING END:  
 0.00076 MIN. GOLD,  
 TERMINATION END: TIN  
 AND SEALING TREATMENT ALL OVER.
- 2 P.W.B. LAYOUT AND P.W.B. TREATMENT(REF.)  
 P.W.B. SURFACE ARE TREATED WITH SOLDER RESIST.  
 BOARD THICKNESS: 1.6mm.
- △ ON KINK POINT(4 PLACES).

0.00076 MIN. Au. PL.	50	26	30.48	34.65	38.26	24	50	6-1747754-3
REMARK	N	M	A	B	C	n	POS.	PART NO.
	CIRCUIT NO.		DIMENSION					

THIS DRAWING IS A CONTROLLED DOCUMENT.		DWN	22SEP04	Tyco Electronics Corporation	
		CHK	22SEP04	Kawasaki, Japan	
		APVD	22SEP04	NAME	
		PRODUCT SPEC	108-5203		
		APPLICATION SPEC	PLUG ASSY V WITH KINK (TINE L=3.9mm) AMPLIMITE .050 SERIES I B-TO-B CONN.		
		WEIGHT	3.1g	SIZE	A3
		CUSTOMER DRAWING	CAGE CODE	00779	DRAWING NO
				C=1747754	RESTRICTED TO
			SCALE	2:1	SHEET 1 OF 1
					REV 0

GENERAL TOLERANCE
10 ≥ : ±0.2
30 > 10: ±0.25
100 ≥ > 30: ±0.3
ANGLES: ±3°

