



Chipsmall Limited consists of a professional team with an average of over 10 year of expertise in the distribution of electronic components. Based in Hongkong, we have already established firm and mutual-benefit business relationships with customers from,Europe,America and south Asia,supplying obsolete and hard-to-find components to meet their specific needs.

With the principle of “Quality Parts,Customers Priority,Honest Operation,and Considerate Service”,our business mainly focus on the distribution of electronic components. Line cards we deal with include Microchip,ALPS,ROHM,Xilinx,Pulse,ON,Everlight and Freescale. Main products comprise IC,Modules,Potentiometer,IC Socket,Relay,Connector.Our parts cover such applications as commercial,industrial, and automotives areas.

We are looking forward to setting up business relationship with you and hope to provide you with the best service and solution. Let us make a better world for our industry!



Contact us

Tel: +86-755-8981 8866 Fax: +86-755-8427 6832

Email & Skype: info@chipsmall.com Web: www.chipsmall.com

Address: A1208, Overseas Decoration Building, #122 Zhenhua RD., Futian, Shenzhen, China



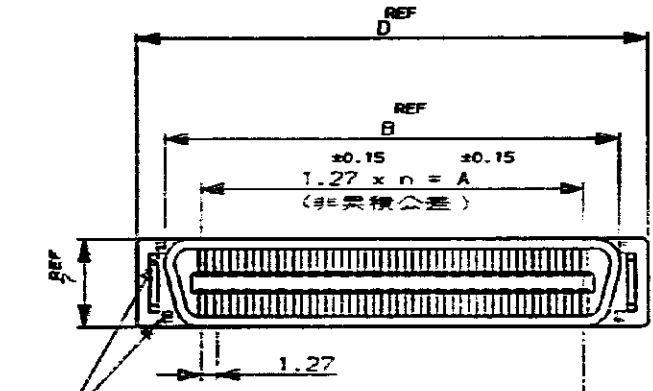
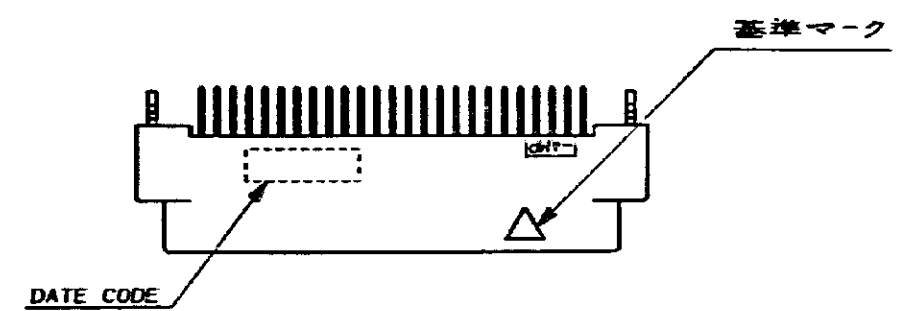
NUMBER C-175473

B-X ANGLE PROJECTION

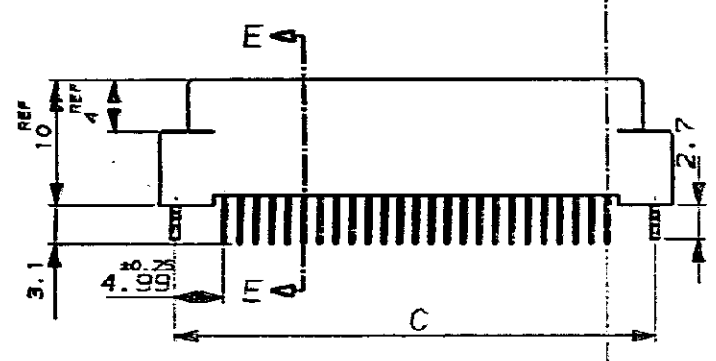
METRIC

DIMENSIONS IN MILLIMETERS. DO NOT SCALE PRINT

PRINT SIZE



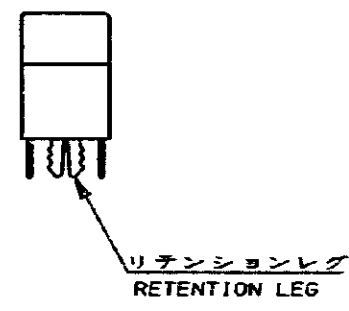
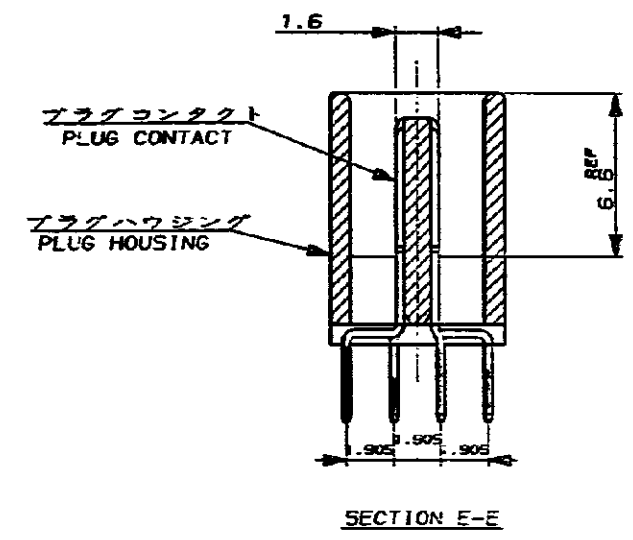
CIRCUIT NO.
L: (POS/2)+1
M: POS/2
N: POS



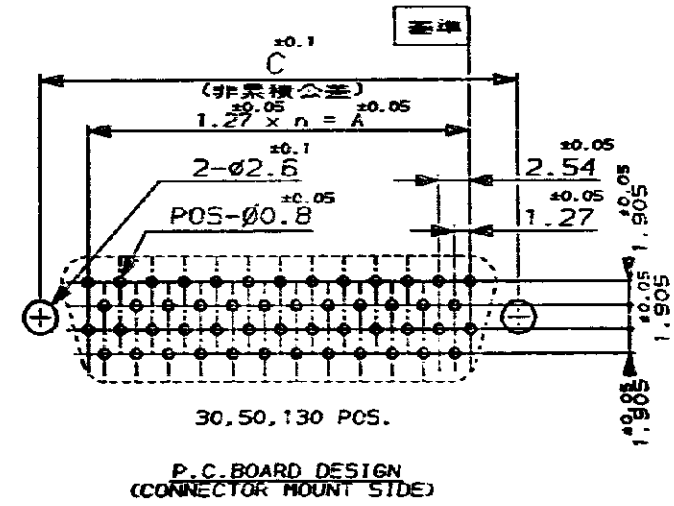
20, 40, 60, 80, 80, 100, 120 POS.

30, 50, 130 POS.

標準 DATUM



20, 40, 60, 80, 80, 100, 120 POS.



注記:
1. 基板及びコネクタの n 数は、**標準** 位置から数える。
(-AMPマーク側が回路番号1番となる。)

△材料: プラグハウジング: ガラス入り66ナイロン
(UL 94V-0) 色、黒。
*コンタクト: 燐青銅。
*リテンションレグ: 黄銅。

△表面仕上げ:
*コンタクト: 全面1.3μ以上のニッケル下地メッキ
に接触部全メッキ (表参照) 脚部1μ以上の半田
メッキ
*リテンションレグ: 1.3μ以上のニッケル下地メッキ
に2μ以上の半田メッキ。

NOTE
1. NUMBER "n" IS COUNTED FROM **DATUM**
(CIRCUIT NO. 1 IS "AMP" MARK SIDE.)

△MATERIAL: HOUSING: 66 NYLON (GF) UL 94V-0, BLACK.
: CONTACT: PHOSPHOR BRONZE.
: RETENTION LEG: BRASS.

△FINISH: CONTACT: AU AT CONTACT AREA (SEE TABLE), TIN LEAD AT TINE
OVER Ni.
RETENTION LEG: TIN LEAD UNDER Ni.

6-	-2		130	64	81.28	89.62	91.25	93.90
6-	-1		120	59	74.93	83.27	84.90	87.55
6-	-0		100	49	62.23	70.57	72.20	74.85
5-	-9		80	39	49.53	57.87	59.50	62.15
5-	-8		68	33	41.91	50.25	51.88	54.53
5-	-7		60	29	36.83	45.17	46.80	49.45
5-	-6		50	24	30.48	38.82	40.45	43.10
5-	-5		40	19	24.13	32.47	34.10	36.75
5-	-3		30	14	17.78	26.12	27.75	30.40
5-	-1	0.76μ	20	9	11.43	19.77	21.40	24.05
4-	-2		130	64	81.28	89.62	91.25	93.90
4-	-1		120	59	74.93	83.27	84.90	87.55
4-	-0		100	49	62.23	70.57	72.20	74.85
3-	-9		80	39	49.53	57.87	59.50	62.15
3-	-8		68	33	41.91	50.25	51.88	54.53
3-	-7		60	29	36.83	45.17	46.80	49.45
3-	-6		50	24	30.48	38.82	40.45	43.10
3-	-5		40	19	24.13	32.47	34.10	36.75
3-	-3		30	14	17.78	26.12	27.75	30.40
3-	-1	0.5μ	20	9	11.43	19.77	21.40	24.05
1-	-2		130	64	81.28	89.62	91.25	93.90
1-	-1		120	59	74.93	83.27	84.90	87.55
1-	-0		100	49	62.23	70.57	72.20	74.85
	-9		80	39	49.53	57.87	59.50	62.15
	-8		68	33	41.91	50.25	51.88	54.53
	-7		60	29	36.83	45.17	46.80	49.45
	-6		50	24	30.48	38.82	40.45	43.10
	-5		40	19	24.13	32.47	34.10	36.75
	-3		30	14	17.78	26.12	27.75	30.40
175473-1		C.2u	20	9	11.43	19.77	21.40	24.05

WIRE RANGE		INSULATION DIA		NAME	
AMP CANS - J				AMP CHAMP.050 CONNECTOR (B-T-B)	
MATERIAL		FINISH		GENERAL TOLERANCE	
△		△		SIZE LOC NUMBER	
DR. S. ISHIKAWA		DE. S. ISHIKAWA		A2 J C-175473	
CHK. Y. FUJITURA		APP. R. NISHIKURA		SCALE REV. SHEET	
LTR REVISION RECORD		DR CHK DATE		B 1 OF 1	

CUSTOMER DRAWING