



Chipsmall Limited consists of a professional team with an average of over 10 year of expertise in the distribution of electronic components. Based in Hongkong, we have already established firm and mutual-benefit business relationships with customers from,Europe,America and south Asia,supplying obsolete and hard-to-find components to meet their specific needs.

With the principle of “Quality Parts,Customers Priority,Honest Operation,and Considerate Service”,our business mainly focus on the distribution of electronic components. Line cards we deal with include Microchip,ALPS,ROHM,Xilinx,Pulse,ON,Everlight and Freescale. Main products comprise IC,Modules,Potentiometer,IC Socket,Relay,Connector.Our parts cover such applications as commercial,industrial, and automotives areas.

We are looking forward to setting up business relationship with you and hope to provide you with the best service and solution. Let us make a better world for our industry!



Contact us

Tel: +86-755-8981 8866 Fax: +86-755-8427 6832

Email & Skype: info@chipsmall.com Web: www.chipsmall.com

Address: A1208, Overseas Decoration Building, #122 Zhenhua RD., Futian, Shenzhen, China



C-175474

3-D ANGLE PROJECTION

METRIC

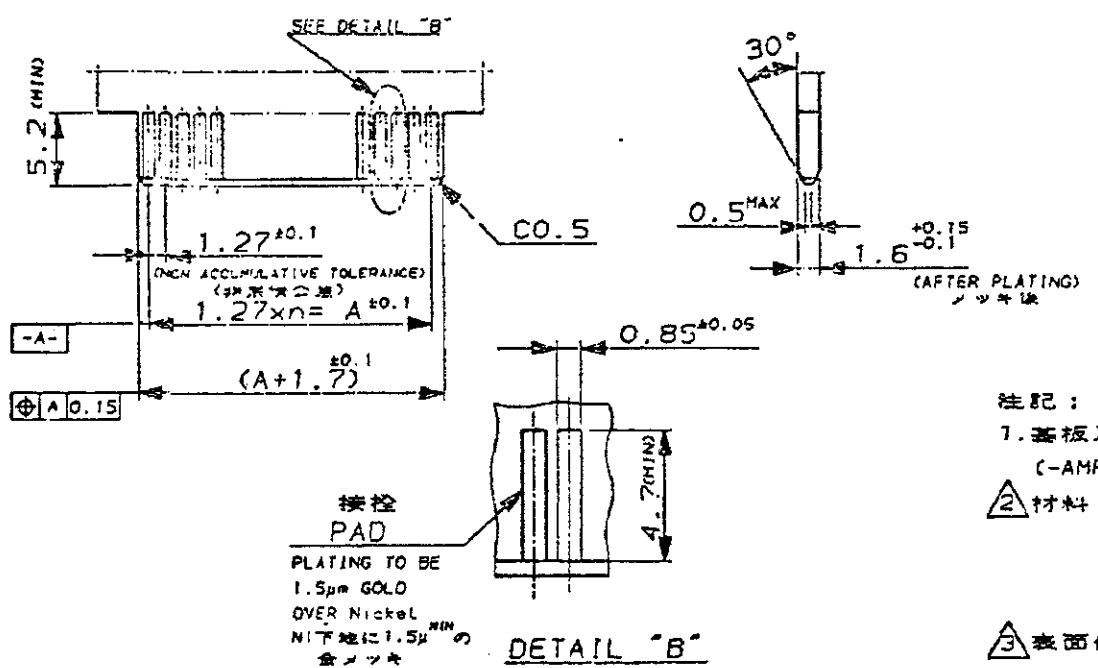
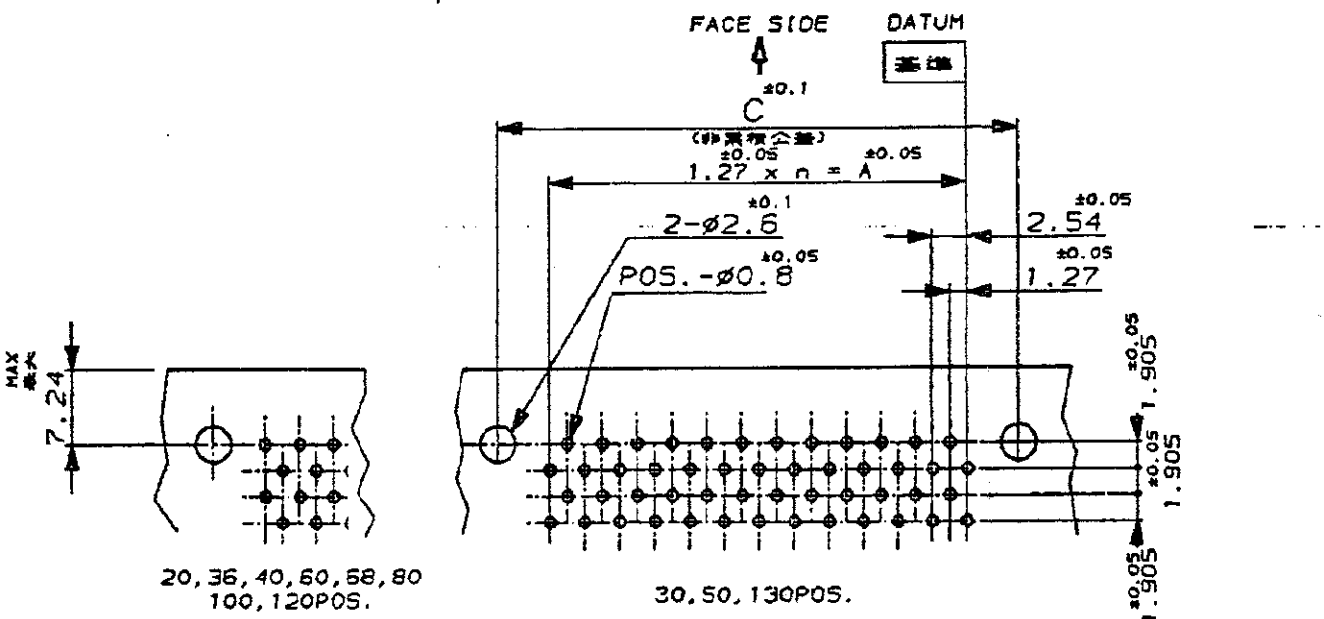
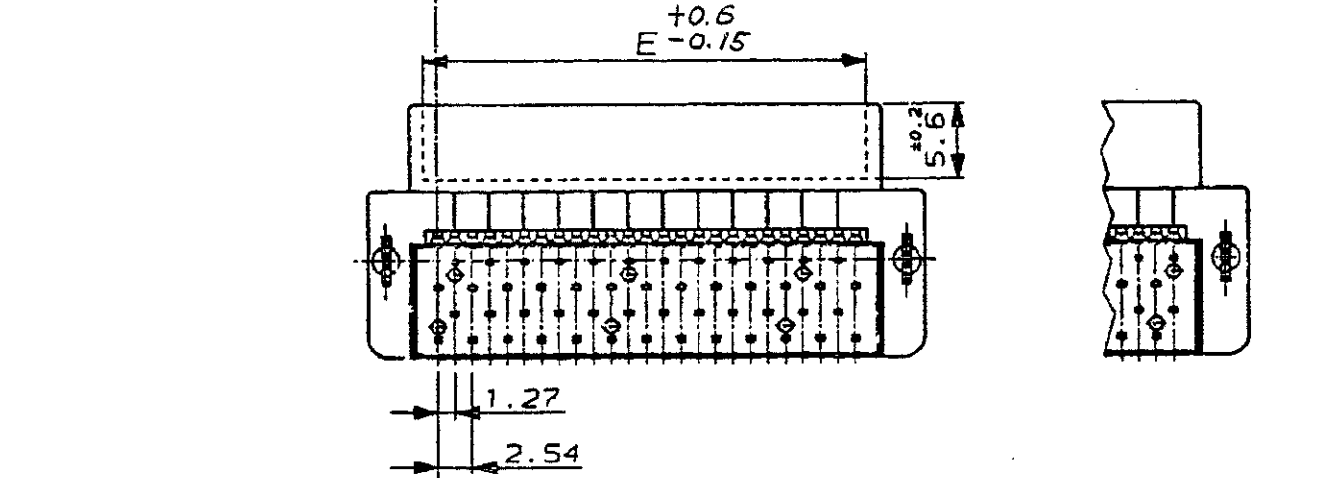
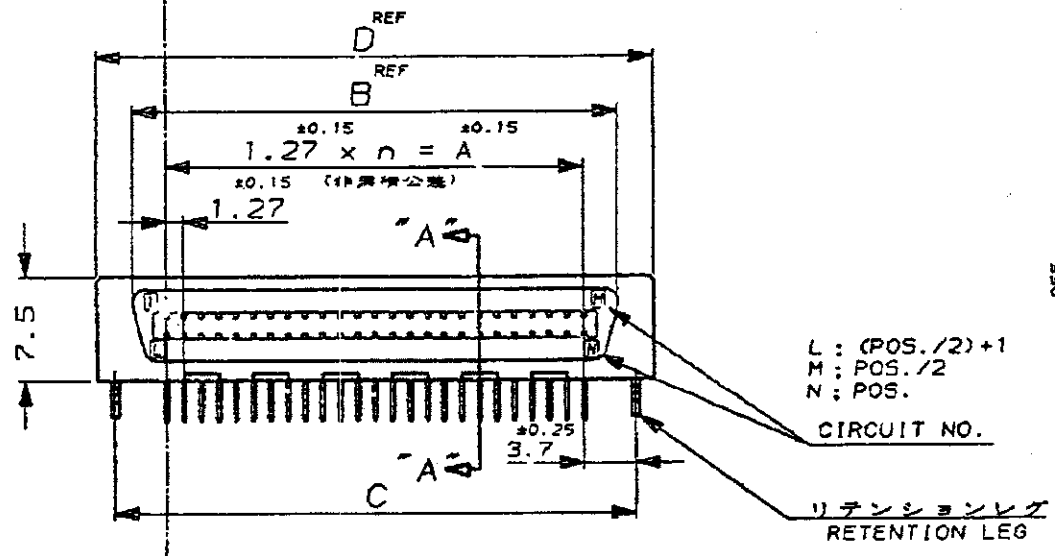
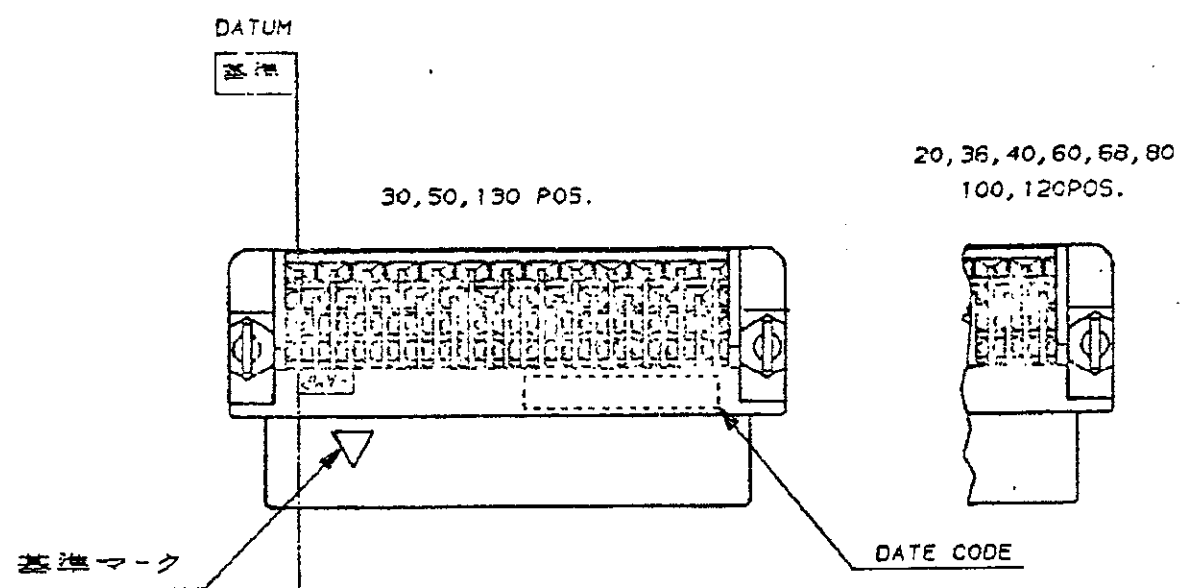
1/8" = 1" (3:1)

DIMENSIONS IN MILLIMETERS, DO NOT SCALE PRINT

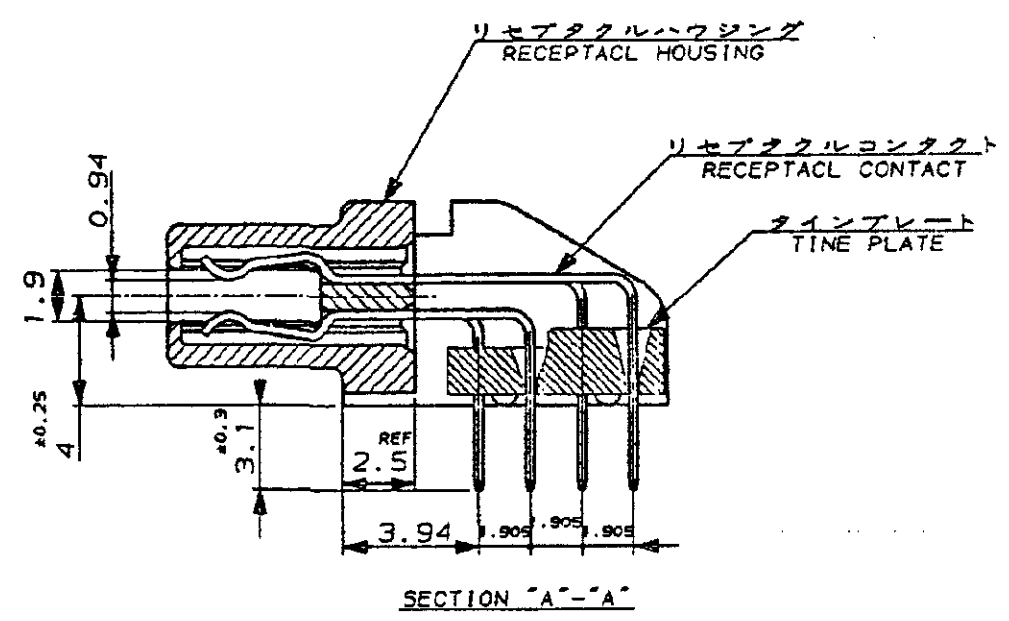
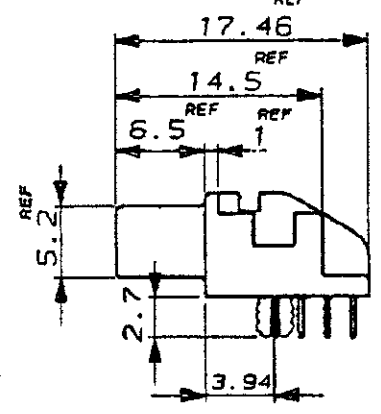
PRINT DIST

AMP J REV 10/89

8 7 6 5 4 3 2 1



RECOMMENDED P.C BOARD DIMENSIONS.
推奨基板寸法 (組合用)



注記:
1. 基板及びコネクタのP数は、**基準**位置から数える。
(AMPマーク側が回路番号1番となる。)
△材料: ホウジング: ガラス入り66ナイロン (UL 94V-0) 色、黒。
*コンタクト: 燐青銅。
*リテンションレグ: 黄銅。
△表面仕上げ:
*コンタクト: 全面1.3μm以上のニッケル下地メッキに接触部金メッキ(表参照) 脚部1μm以上の半田メッキ
*リテンションレグ: 1.3μm以上のニッケル下地メッキに2μm以上の半田メッキ。
△カードエッジコネクタとして使用する場合、かん合用基板の厚さは、1.6であること。
NOTE
1. NUMBER "n" IS COUNTED FROM **DATUM**
(CIRCUIT NO. 1 IS "AMP" MARK SIDE.)
△ MATERIAL: HOUSING: 66 NYLON (GF) UL 94V-0, BLACK.
* CONTACT: PHOSPHOR BRONZE.
* RETENTION LEG: BRASS.
△ FINISH: CONTACT: AU AT CONTACT AREA (SEE TABLE), TIN LEAD AT TINE OVER Ni.
RETENTION LEG: TIN LEAD UNDER Ni.

△ P.C. BOARD THK MUST BE 1.6 FOR CARD EDGE CONNECTOR

型番	金めっき厚	極数	A	B	C	D	E	
6-	-2	130	64	81.28	86.82	88.68	92.48	83.18
6-	-1	120	59	74.93	80.47	82.33	86.13	76.83
6-	-0	100	49	62.23	67.77	69.63	73.43	64.13
5-	-9	80	39	49.53	55.07	56.93	60.73	51.43
5-	-8	68	33	41.91	47.45	49.31	53.11	43.81
5-	-7	60	29	36.83	42.37	44.23	48.03	38.73
5-	-6	50	24	30.48	36.02	37.88	41.68	32.38
5-	-5	40	19	24.13	29.67	31.53	35.33	26.03
5-	-3	30	14	17.78	23.32	25.18	28.98	19.68
5-	-1	20	9	11.43	16.97	18.83	22.63	13.33
4-	-2	130	64	81.28	86.82	88.68	92.48	83.18
4-	-1	120	59	74.93	80.47	82.33	86.13	76.83
4-	-0	100	49	62.23	67.77	69.63	73.43	64.13
3-	-9	80	39	49.53	55.07	56.93	60.73	51.43
3-	-8	68	33	41.91	47.45	49.31	53.11	43.81
3-	-7	60	29	36.83	42.37	44.23	48.03	38.73
3-	-6	50	24	30.48	36.02	37.88	41.68	32.38
3-	-5	40	19	24.13	29.67	31.53	35.33	26.03
3-	-3	30	14	17.78	23.32	25.18	28.98	19.68
3-	-1	20	9	11.43	16.97	18.83	22.63	13.33
1-	-2	130	64	81.28	86.82	88.68	92.48	83.18
1-	-1	120	59	74.93	80.47	82.33	86.13	76.83
1-	-0	100	49	62.23	67.77	69.63	73.43	64.13
	-9	80	39	49.53	55.07	56.93	60.73	51.43
	-8	68	33	41.91	47.45	49.31	53.11	43.81
	-7	60	29	36.83	42.37	44.23	48.03	38.73
	-6	50	24	30.48	36.02	37.88	41.68	32.38
	-5	40	19	24.13	29.67	31.53	35.33	26.03
	-4	36	17	21.59	27.13	28.99	32.79	23.49
	-3	30	14	17.78	23.32	25.18	28.98	19.68
175474-1		20	9	11.43	16.97	18.83	22.63	13.33
		0.2μ						

REVISION RECORD		PRODUCT SPECIFICATION		AMP Tyco Electronics AMP Kawasaki, Japan	
E	REVISED FJ00-1313-01 T.K.	108-5290		AMP CHAMP.050 CONNECTOR (B-T-B)	
D	REVISED ECN FJ00-1045-93 T.N.Y.F.	INSULATION DIA		RECEPTACLE CONNECTOR (HORIZONTAL WITH RETENTION LEG)	
C	REVISED ECN J-1983 T.N.Y.F.	WIRE RANGE		GENERAL TOLERANCE	
B	REVISED ECN J-12511 T.N.Y.F.	MATERIAL		SIZE LOC NUMBER	
A	REVISED ECN J-12103 H.K.Y.F.	FINISH		C J C-175474	
O	RELEASED ECN J-10612 S.I.Y.F.	DR. S. Ishikawa		SCALE	
LTR	REVISION RECORD	CHK. Y. Fujiwara		APP. R. Nishimura	

CUSTOMER DRAWING