



Chipsmall Limited consists of a professional team with an average of over 10 year of expertise in the distribution of electronic components. Based in Hongkong, we have already established firm and mutual-benefit business relationships with customers from,Europe,America and south Asia,supplying obsolete and hard-to-find components to meet their specific needs.

With the principle of “Quality Parts,Customers Priority,Honest Operation,and Considerate Service”,our business mainly focus on the distribution of electronic components. Line cards we deal with include Microchip,ALPS,ROHM,Xilinx,Pulse,ON,Everlight and Freescale. Main products comprise IC,Modules,Potentiometer,IC Socket,Relay,Connector.Our parts cover such applications as commercial,industrial, and automotives areas.

We are looking forward to setting up business relationship with you and hope to provide you with the best service and solution. Let us make a better world for our industry!



Contact us

Tel: +86-755-8981 8866 Fax: +86-755-8427 6832

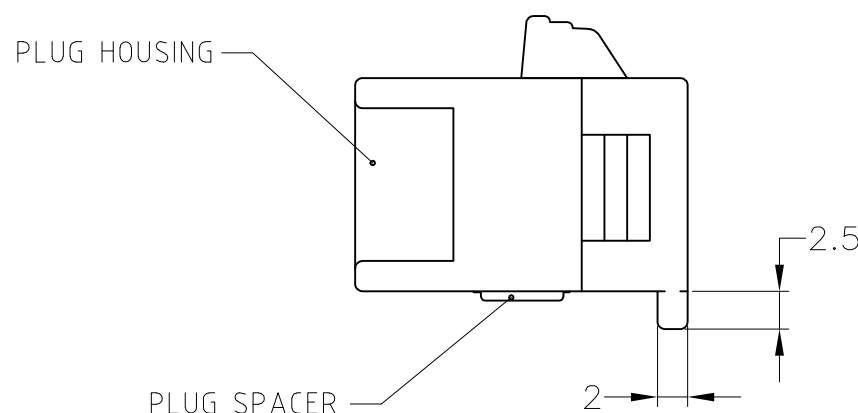
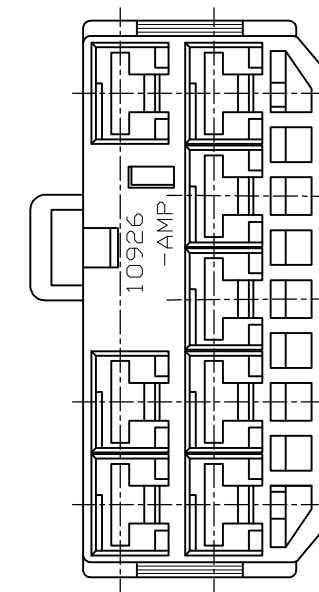
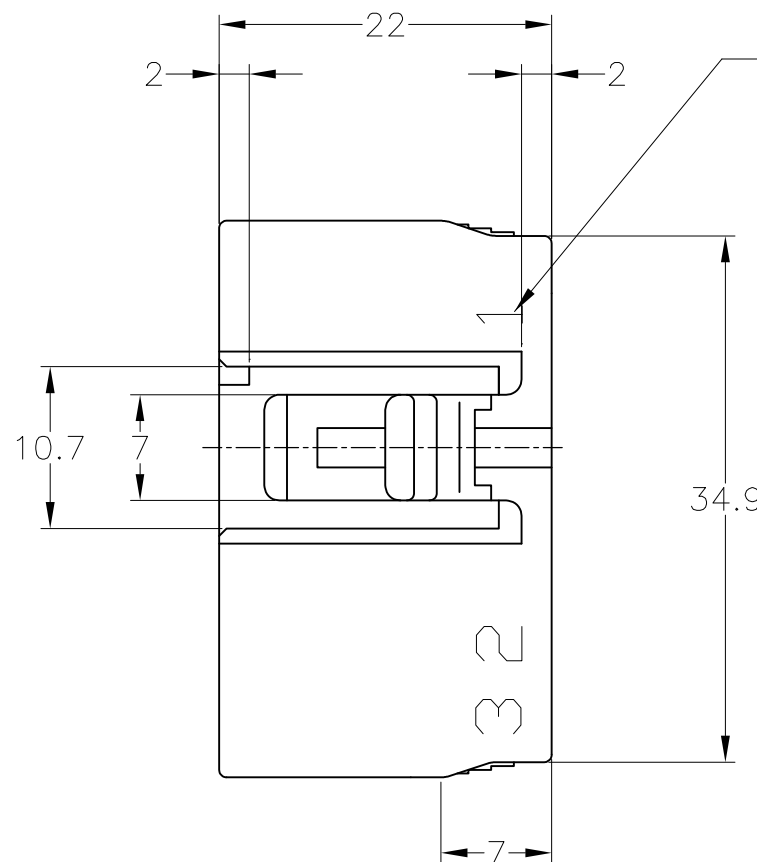
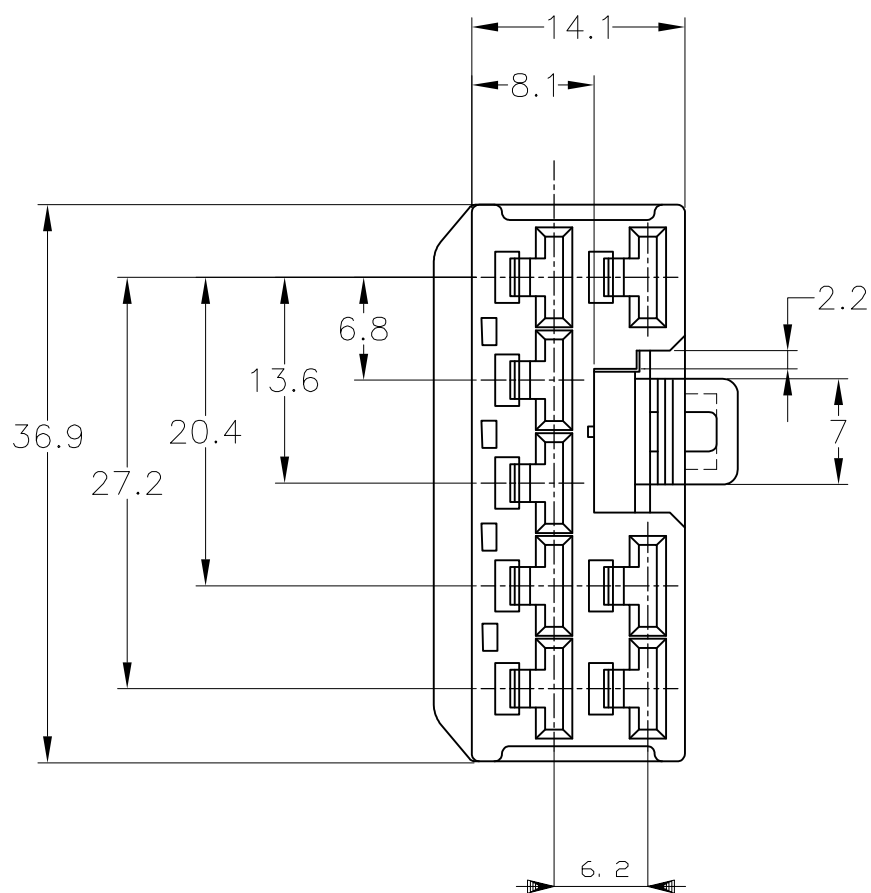
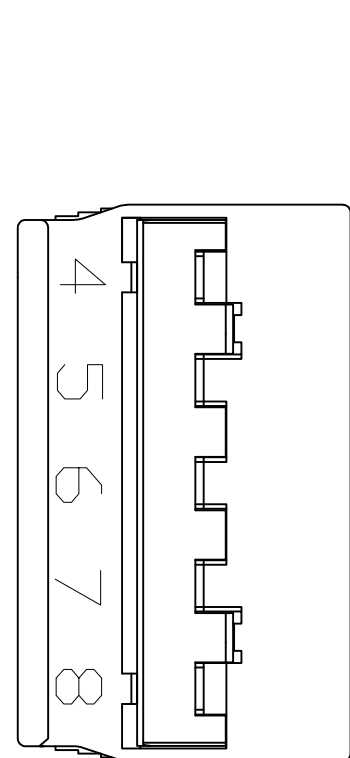
Email & Skype: info@chipsmall.com Web: www.chipsmall.com

Address: A1208, Overseas Decoration Building, #122 Zhenhua RD., Futian, Shenzhen, China



THIS DRAWING IS UNPUBLISHED. RELEASED FOR PUBLICATION
 © COPYRIGHT BY TYCO ELECTRONICS CORPORATION. ALL RIGHTS RESERVED.

LOC	DIST	REVISIONS 変更			
P	LTR	DESCRIPTION	DATE	DWN	APVD
J	—	01 REVISED	ECR-06-015820	29JUN06	TS KB
		02 REVISED PER ECO-10-000443		12JAN10	KK AEG



1. MATING PART NUMBER : 175978

1. 嵌合相手型番 : 175978

△ OBSOLETE PARTS: OBSOLETE CIS STREAMLINING PER D.RENAUD/D.SINISI

△ OBSOLETE	COLOR	PART NUMBER
	LIGHT GRAY	6-175979-6
	DARK GRAY	175979-6
	BLACK	175979-2
	NATURAL	175979-1
	COLOR	PART NUMBER

TOLERANCES UNLESS OTHERWISE SPECIFIED:
一般公差

10 ≥	±0.2
30 ≥	> 10 : ±0.25
100 ≥	> 30 : ±0.3
ANGLE	±3°

THIS DRAWING IS A CONTROLLED DOCUMENT.		DWN T.SHINOHARA 29JUN06	Tyco Electronics AMP K.K. Kawasaki, Japan		
DIMENSIONS: 単位: 耗 mm	TOLERANCES UNLESS OTHERWISE SPECIFIED: 一般公差	CHK K.BETSUI 29JUN06	NAME 名称		
	0 PLC ±-	APVD K.BETSUI 29JUN06	PRODUCT SPEC 製品規格 108-5303		
	1 PLC ±-		APPLICATION SPEC 取付適用規格		
MATERIAL 材料 PBT	FINISH 仕上 -	WEIGHT -	SIZE A3	CAGE CODE 00779	DRAWING NO 番号 G-175979
CUSTOMER DRAWING			RESTRICTED TO -	SCALE 尺度 2:1	SHEET 1 OF 1
			REV 02		