



Chipsmall Limited consists of a professional team with an average of over 10 year of expertise in the distribution of electronic components. Based in Hongkong, we have already established firm and mutual-benefit business relationships with customers from,Europe,America and south Asia,supplying obsolete and hard-to-find components to meet their specific needs.

With the principle of “Quality Parts,Customers Priority,Honest Operation,and Considerate Service”,our business mainly focus on the distribution of electronic components. Line cards we deal with include Microchip,ALPS,ROHM,Xilinx,Pulse,ON,Everlight and Freescale. Main products comprise IC,Modules,Potentiometer,IC Socket,Relay,Connector.Our parts cover such applications as commercial,industrial, and automotives areas.

We are looking forward to setting up business relationship with you and hope to provide you with the best service and solution. Let us make a better world for our industry!



Contact us

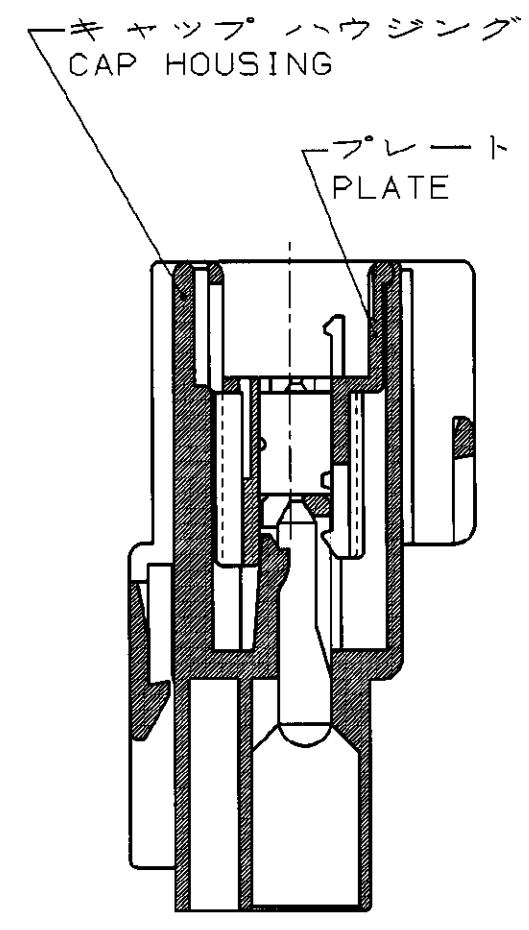
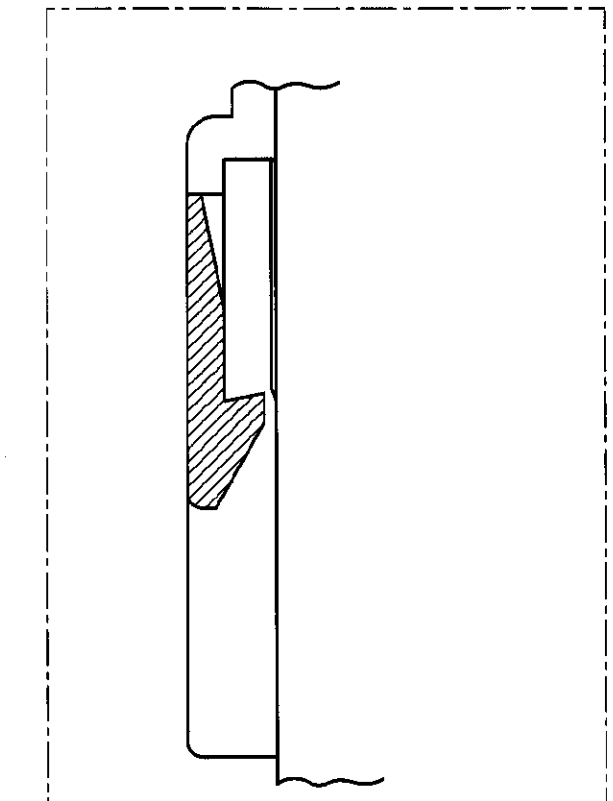
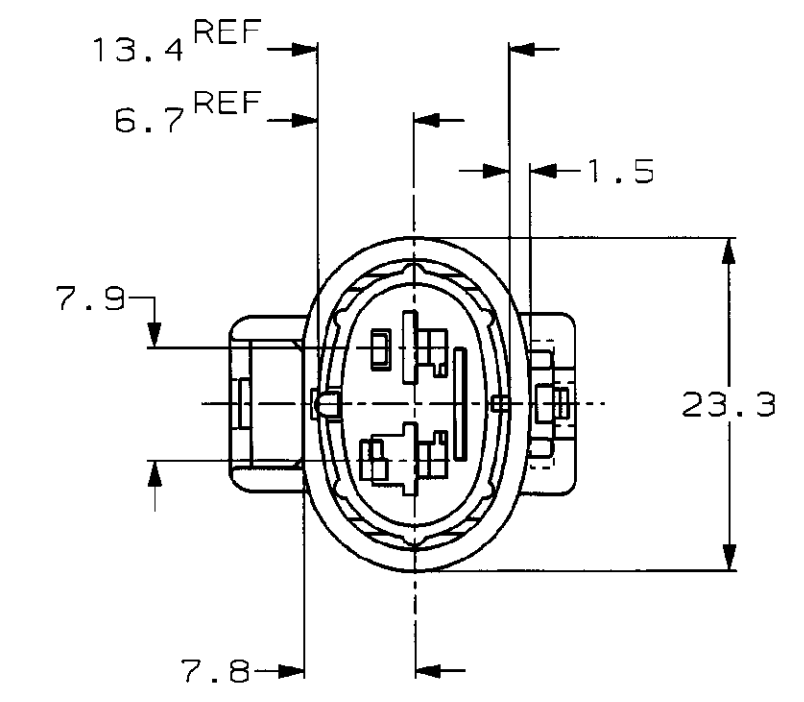
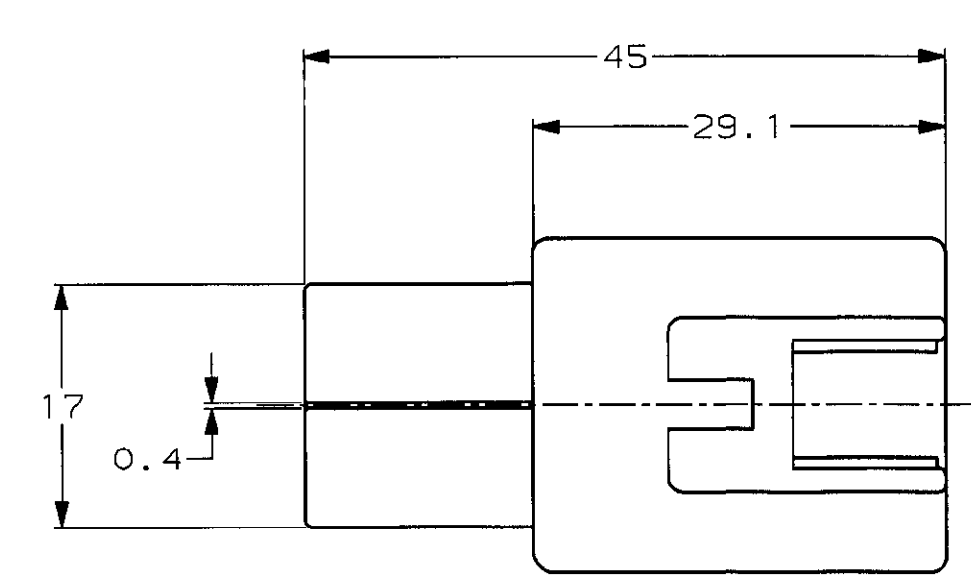
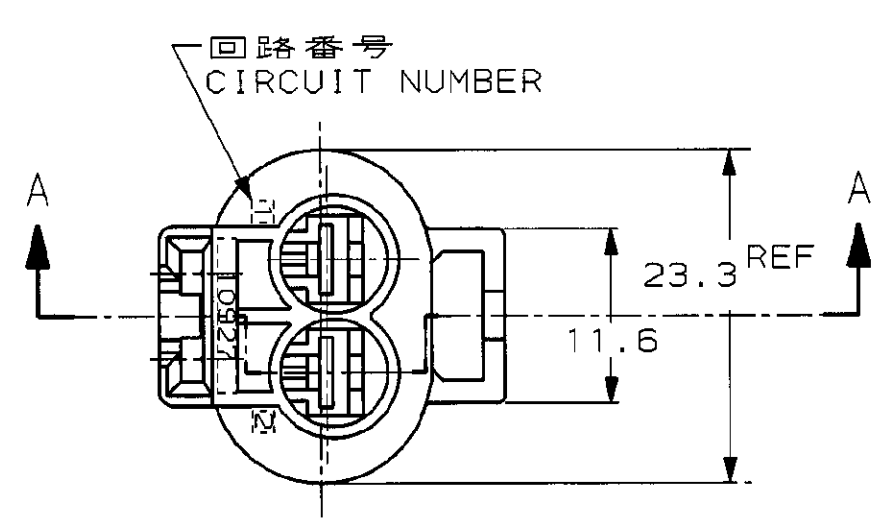
Tel: +86-755-8981 8866 Fax: +86-755-8427 6832

Email & Skype: info@chipsmall.com Web: www.chipsmall.com

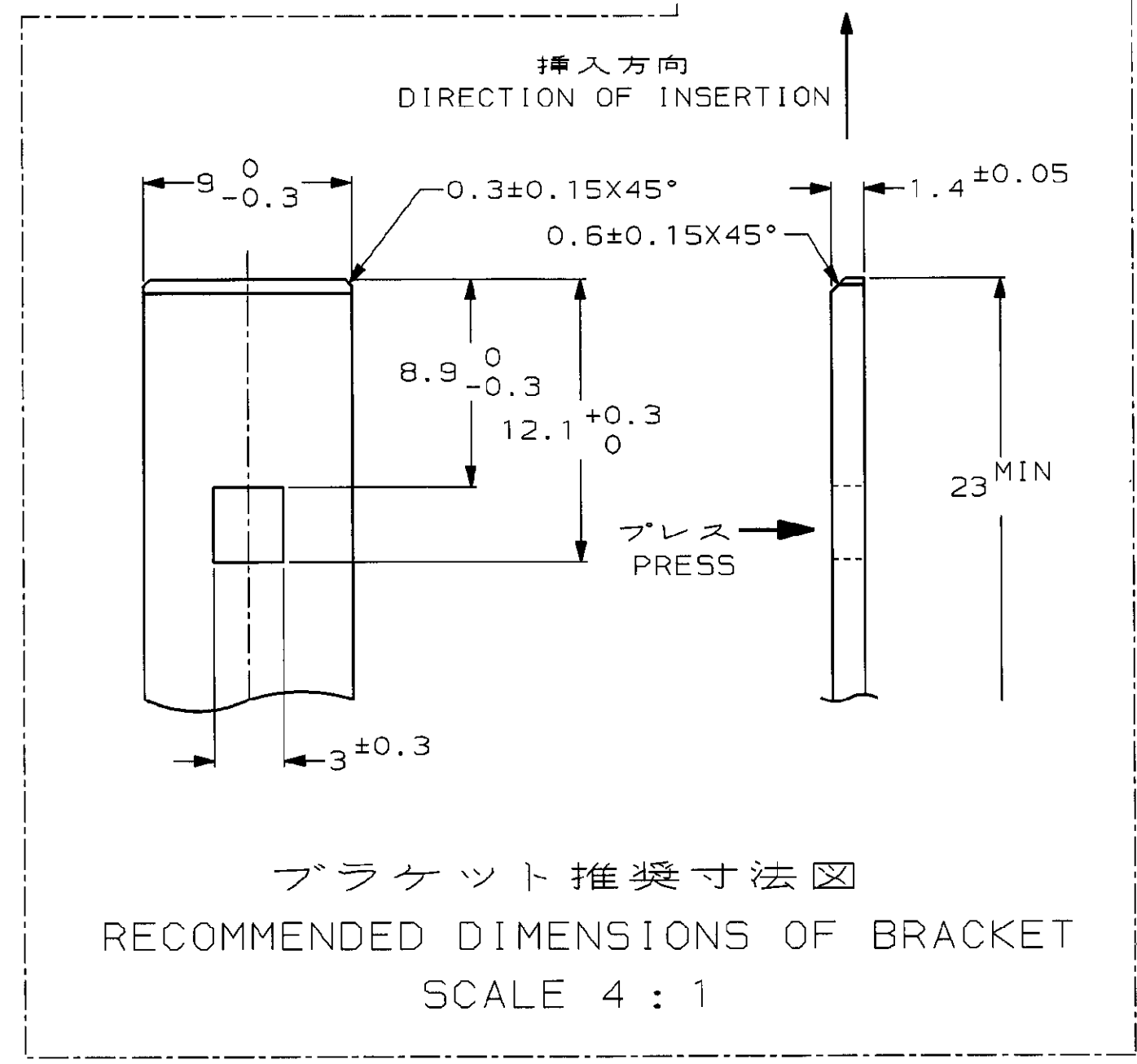
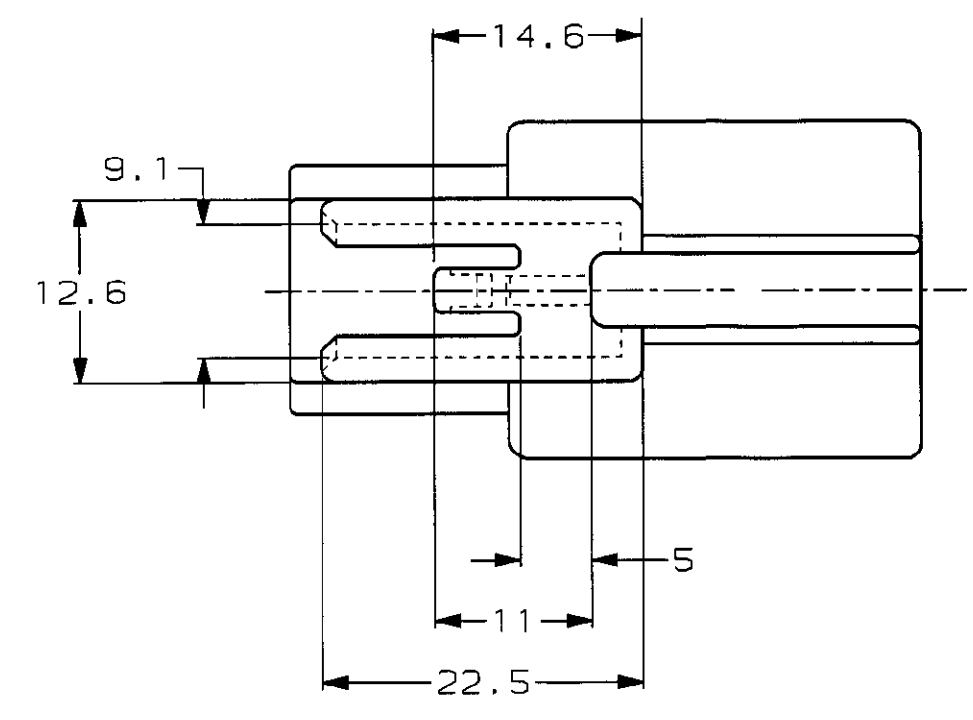
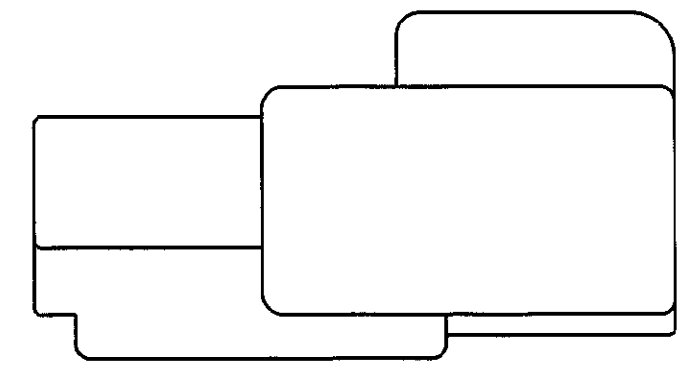
Address: A1208, Overseas Decoration Building, #122 Zhenhua RD., Futian, Shenzhen, China



NUMBER 176143
METRIC
3rd ANGLE PROJECTION



A-A



- 1. 嵌合相手品番 : 176146
- 2. 製品規格 : 108-5294
- 1. MATING PART NUMBER : 176146
- 2. PRODUCT SPECIFICATION : 108-5294

LIGHT GRAY	6-176143-6
DARK GRAY	176143-6
BLACK	176143-2
色 (COLOR)	項番 (P/N)

				AMP 株式会社 川崎 Kawasaki, Japan		AMP AMP (JAPAN), LTD. Tokyo, Japan	
WIRE RANGE				INSULATION DIA		NAME	
MATERIAL				COLOR		.187 SERIES SEALED CONNECTOR	
PBT				(SEE TABLE)		2Pos. CAP HOUSING ASSY	
GENERAL TOLERANCE				SIZE		LOC NUMBER	
0≤ 10 : ± 0.2				C J		C-176143	
10≤ 30 : ± 0.25				SCALE		REV.	
30≤ 100 : ± 0.3				2-1		B	
ANGLES : $\pm 3^\circ$				SHEET		1 OF 1	
LTR REVISION RECORD				DR CHK DATE		APP.	
DR. G. Kinoshita				11/12/91		11/12/91	
CHK. K. Oda				11/12/91		11/12/91	

PRINT DIST
DIMENSIONS IN MILLIMETERS. DO NOT SCALE PRINT

AMP-J
REV. 1/93
FJ029188

CUSTOMER DRAWING