



Chipsmall Limited consists of a professional team with an average of over 10 year of expertise in the distribution of electronic components. Based in Hongkong, we have already established firm and mutual-benefit business relationships with customers from,Europe,America and south Asia,supplying obsolete and hard-to-find components to meet their specific needs.

With the principle of "Quality Parts,Customers Priority,Honest Operation,and Considerate Service",our business mainly focus on the distribution of electronic components. Line cards we deal with include Microchip,ALPS,ROHM,Xilinx,Pulse,ON,Everlight and Freescale. Main products comprise IC,Modules,Potentiometer,IC Socket,Relay,Connector.Our parts cover such applications as commercial,industrial, and automotives areas.

We are looking forward to setting up business relationship with you and hope to provide you with the best service and solution. Let us make a better world for our industry!



Contact us

Tel: +86-755-8981 8866 Fax: +86-755-8427 6832

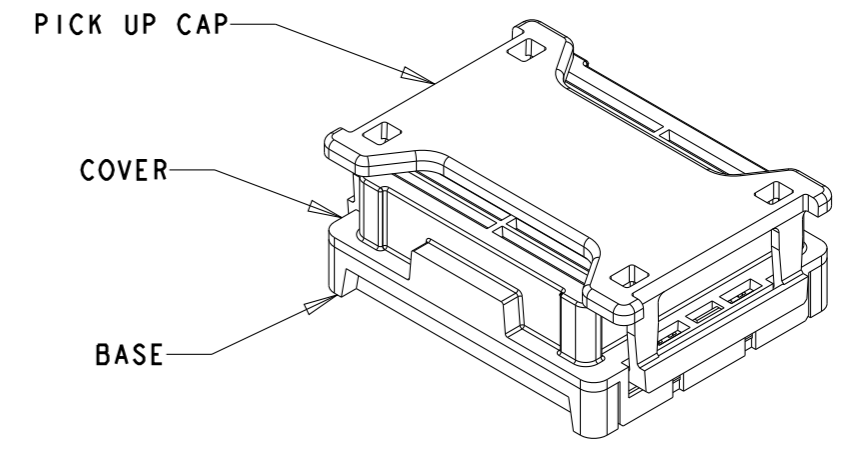
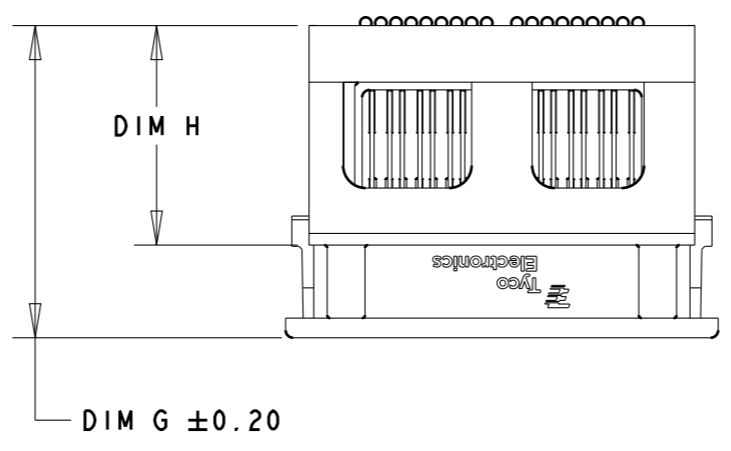
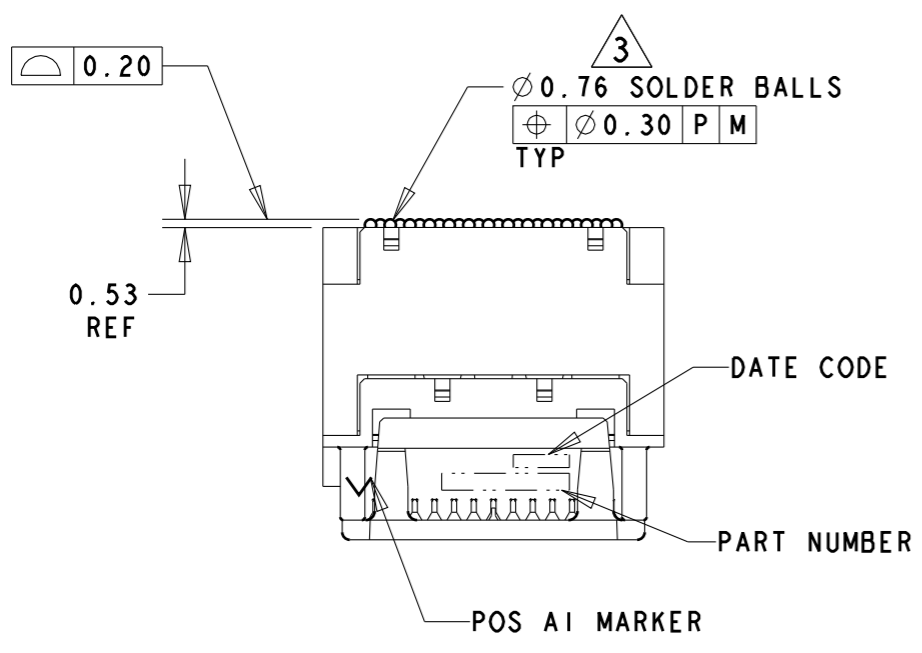
Email & Skype: info@chipsmall.com Web: www.chipsmall.com

Address: A1208, Overseas Decoration Building, #122 Zhenhua RD., Futian, Shenzhen, China



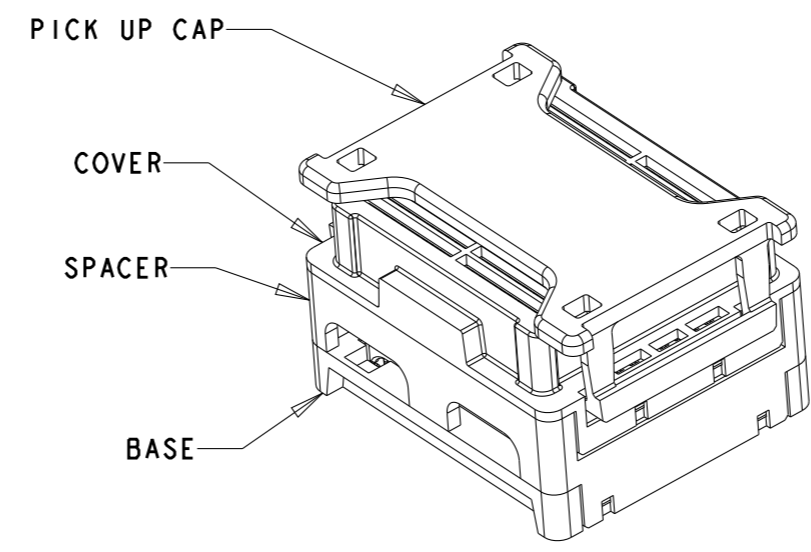
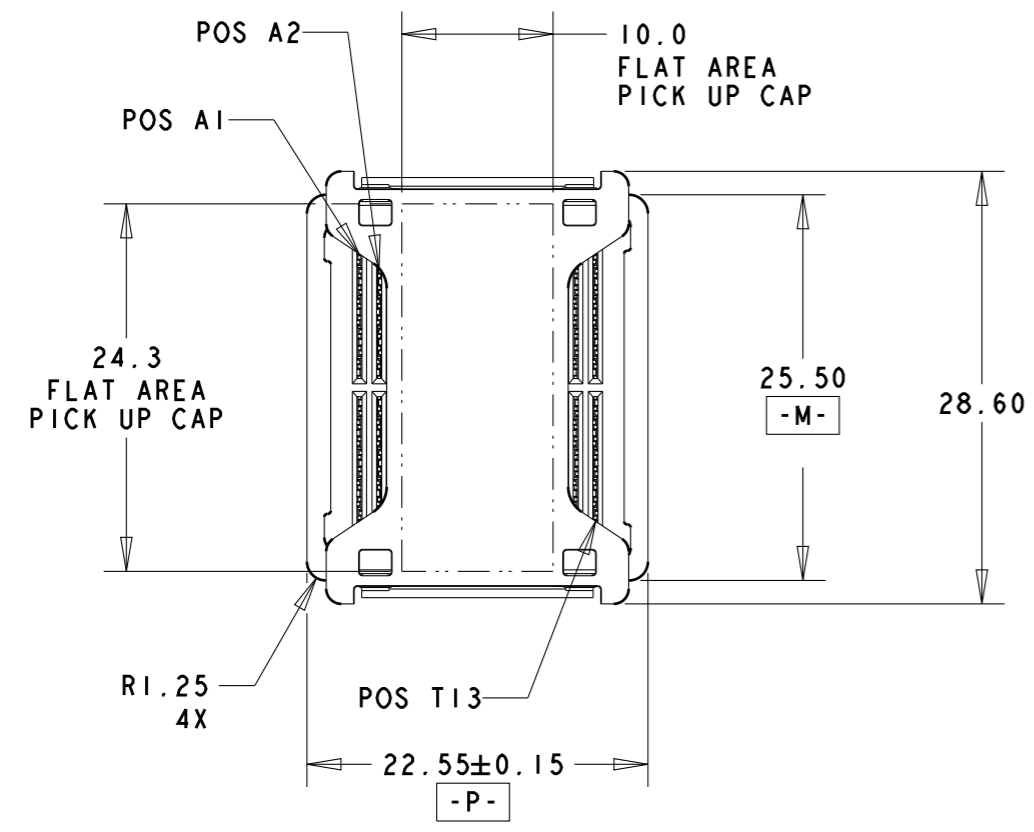
THIS DRAWING IS UNPUBLISHED. RELEASED FOR PUBLICATION
 © COPYRIGHT ALL RIGHTS RESERVED.

LOC	DIST	REVISIONS			
P	LTR	DESCRIPTION	DATE	DWN	APVD
DY	-	A4 REVISED PER ECO-11-005139	26APR11	RK	HMR

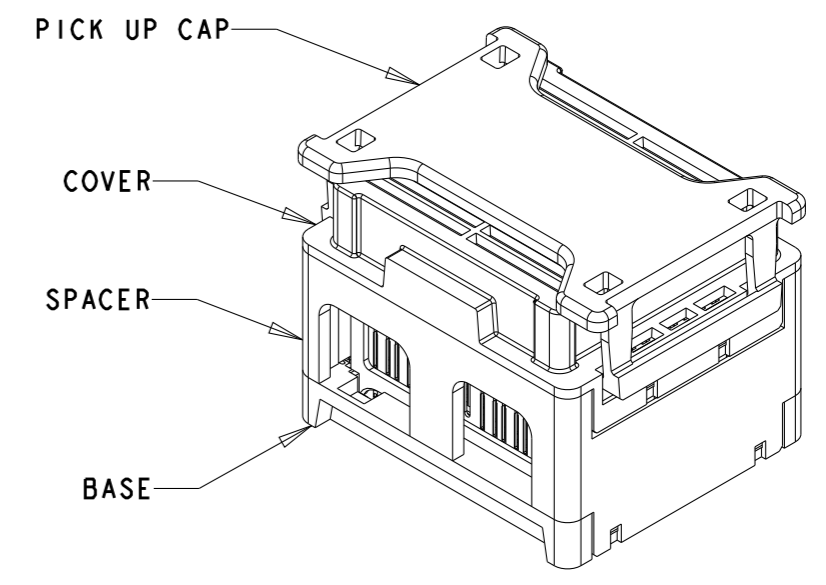


TYPICAL ASSEMBLY
 15mm SHOWN
 SCALE 2:1

ISOMETRIC VIEW
 TYPICAL CONFIGURATION
 FOR 5mm ASSEMBLY
 SCALE 2:1



ISOMETRIC VIEW
 TYPICAL CONFIGURATION
 FOR 11mm ASSEMBLY
 SCALE 2:1



ISOMETRIC VIEW
 TYPICAL CONFIGURATION
 FOR 15mm ASSEMBLY
 SCALE 2:1

DIMENSIONS: mm 		TOLERANCES UNLESS OTHERWISE SPECIFIED: 0 PLC ±. 1 PLC ±0.3 2 PLC ±0.10 3 PLC ±0.050 4 PLC ±. ANGLES ±2° MATERIAL 1 FINISH 2		DWN P BRANDBERG 19JAN05 CHK D WERTZ 20JAN05 APVD D WERTZ 20JAN05 PRODUCT SPEC 108-2143 APPLICATION SPEC 114-13101 WEIGHT -	STE TE Connectivity NAME STEP-Z, RECEPTACLE ASSEMBLY, 104 SIGNAL POSITION SIZE A3 CAGE CODE 00779 DRAWING NO C-1761613	RESTRICTED TO - SCALE - SHEET 1 OF 3 REV A4
CUSTOMER DRAWING						

THIS DRAWING IS UNPUBLISHED.

RELEASED FOR PUBLICATION

© COPYRIGHT

ALL RIGHTS RESERVED.

LOC
DY

DIST
-

REVISIONS

P	LTR	DESCRIPTION	DATE	DWN	APVD
-	-	SEE SHEET 1	-	-	-

1 MATERIAL:
 BASE, SPACER, COVER: THERMOPLASTIC
 PICK UP CAP: THERMOPLASTIC
 CONTACT: COPPER ALLOY
 SOLDER BALL: Sn/Pb FOR P/N 1761613-1 THRU 5-1761613-0
 Sn/Ag FOR P/N 5-1761613-1 THRU 9-1761613-9

2 FINISH:
 CONTACT: 0.00076 MIN GOLD OVER 0.00127 MIN NICKEL.
 (30µ" MIN GOLD OVER 50µ" MIN NICKEL)

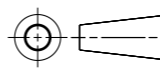

3 SOLDER BALLS WILL NOT BE PERFECT
 SPHERICAL SHAPE DUE TO REFLOW ATTACHMENT.

4 CONTACTS IN ROWS A,C,E,G,J,K,M,P,R, AND T
 ARE SINGLE BEAM CONTACTS,
 TYPICALLY USED AS GROUND PINS.
 (NOTE: CONTACTS IN ROWS J & K ARE TIED
 TOGETHER [COMMONED]).

5 CONTACTS IN ROWS B,D,F,H,L,N,O, AND S
 ARE DUAL BEAM CONTACTS,
 TYPICALLY USED AS SIGNAL PINS.

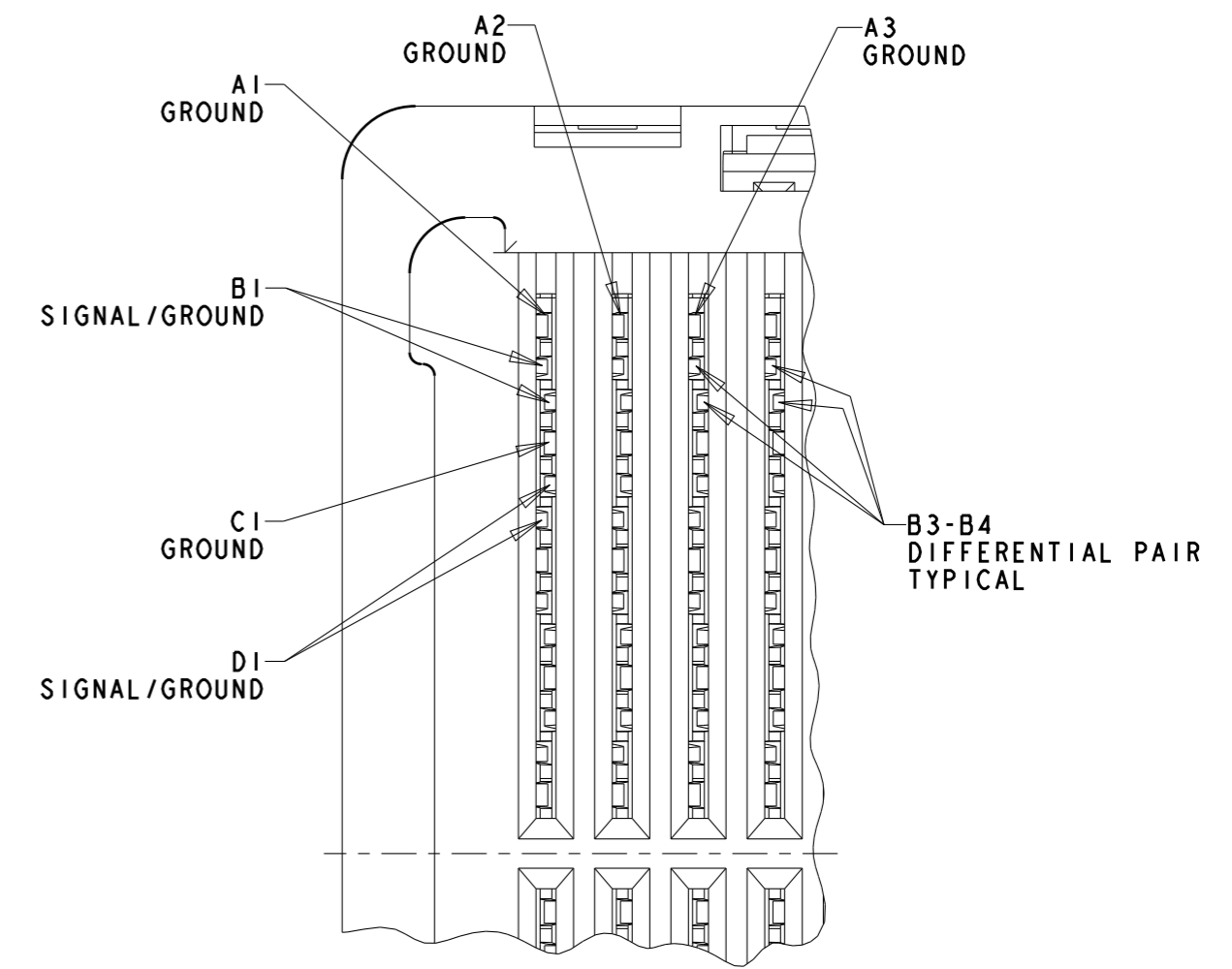
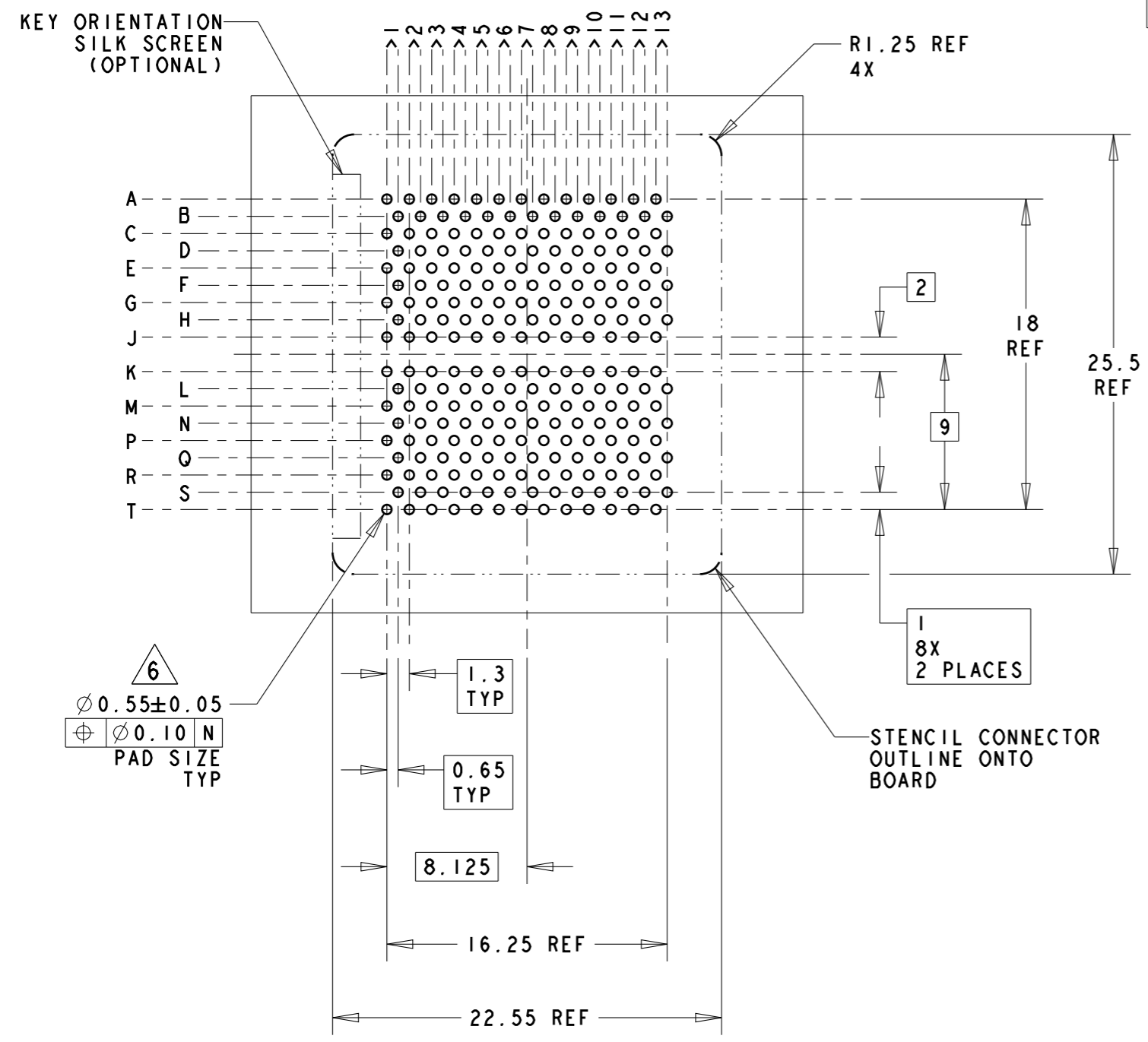
6 SPECIFIED POSITIONAL TOLERANCE DEFINES PAD TO PAD
 LOCATION WITHIN LAND PATTERN. POSITIONAL TOLERANCE
 OF LAND PATTERN TO FUDICIAL MARKS OR PCB DATUMS
 SHALL BE DEFINED BY CUSTOMER. FOR RECOMMENDED
 PRODUCT APPLICATION AND PCB DESIGN DETAILS, SEE
 APPLICATION SPEC 114-13101.

DIM H	DIM G	LOAD STYLE	DESCRIPTION	PART NUMBER
14.51	20.65	-	15mm Sn/Ag	6-1761613-5
10.51	16.65	-	11mm Sn/Ag	6-1761613-1
4.51	10.65	-	5mm Sn/Ag	5-1761613-5
14.51	20.65	-	15mm Sn/Pb	1-1761613-5
10.51	16.65	-	11mm Sn/Pb	1-1761613-1
4.51	10.65	-	5mm Sn/Pb	1761613-5

DIMENSIONS: mm 		TOLERANCES UNLESS OTHERWISE SPECIFIED: 0 PLC ±. 1 PLC ±0.3 2 PLC ±0.10 3 PLC ±0.050 4 PLC ±. ANGLES ±2° FINISH -		DWN P BRANDBERG 19 JAN 05 CHK D WERTZ 20 JAN 05 APVD D WERTZ 20 JAN 05 PRODUCT SPEC - APPLICATION SPEC - WEIGHT -		 TE Connectivity NAME STEP-Z, RECEPTACLE ASSEMBLY, 104 SIGNAL POSITION		SIZE A3 CAGE CODE 00779 DRAWING NO C-1761613 RESTRICTED TO -			
MATERIAL -				CUSTOMER DRAWING		SCALE -		SHEET 2 OF 3		REV A4	

THIS DRAWING IS UNPUBLISHED. RELEASED FOR PUBLICATION
 © COPYRIGHT ALL RIGHTS RESERVED.

LOC	DIST	REVISIONS			
P	LTR	DESCRIPTION	DATE	DWN	APVD
DY	-	SEE SHEET 1	-	-	-



RECEPTACLE INTERFACE
 SCALE 8:1

4 5 BOARD PATTERN
 SCALE 3:1

DIMENSIONS: mm		TOLERANCES UNLESS OTHERWISE SPECIFIED: 0 PLC ± 1 PLC ±0.3 2 PLC ±0.10 3 PLC ±0.050 4 PLC ± ANGLES ±2° FINISH -		DWN P BRANDBERG 19 JAN 05 CHK D WERTZ 20 JAN 05 APVD D WERTZ 20 JAN 05 PRODUCT SPEC - APPLICATION SPEC - WEIGHT -		STE TE Connectivity NAME STEP-Z, RECEPTACLE ASSEMBLY, 104 SIGNAL POSITION SIZE A3 CAGE CODE 00779 DRAWING NO C-1761613		RESTRICTED TO
MATERIAL -		CUSTOMER DRAWING		SCALE -		SHEET 3 OF 3		REV A4