



Chipsmall Limited consists of a professional team with an average of over 10 year of expertise in the distribution of electronic components. Based in Hongkong, we have already established firm and mutual-benefit business relationships with customers from,Europe,America and south Asia,supplying obsolete and hard-to-find components to meet their specific needs.

With the principle of “Quality Parts,Customers Priority,Honest Operation,and Considerate Service”,our business mainly focus on the distribution of electronic components. Line cards we deal with include Microchip,ALPS,ROHM,Xilinx,Pulse,ON,Everlight and Freescale. Main products comprise IC,Modules,Potentiometer,IC Socket,Relay,Connector.Our parts cover such applications as commercial,industrial, and automotives areas.

We are looking forward to setting up business relationship with you and hope to provide you with the best service and solution. Let us make a better world for our industry!



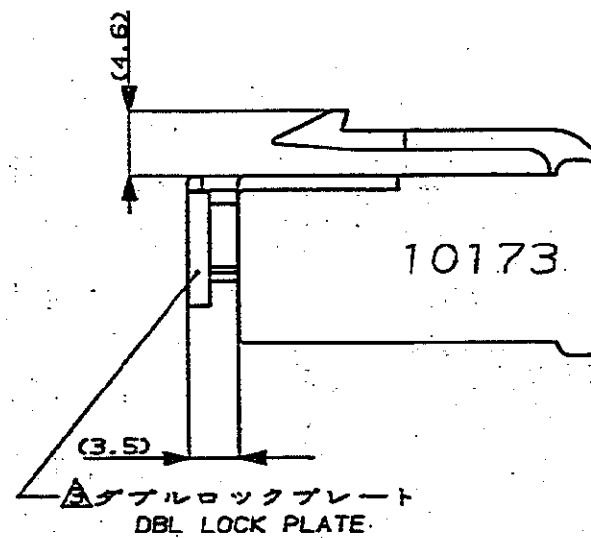
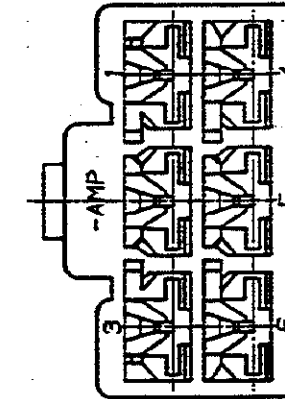
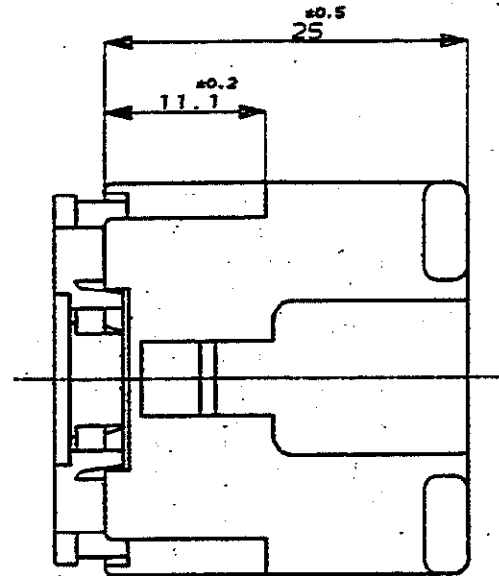
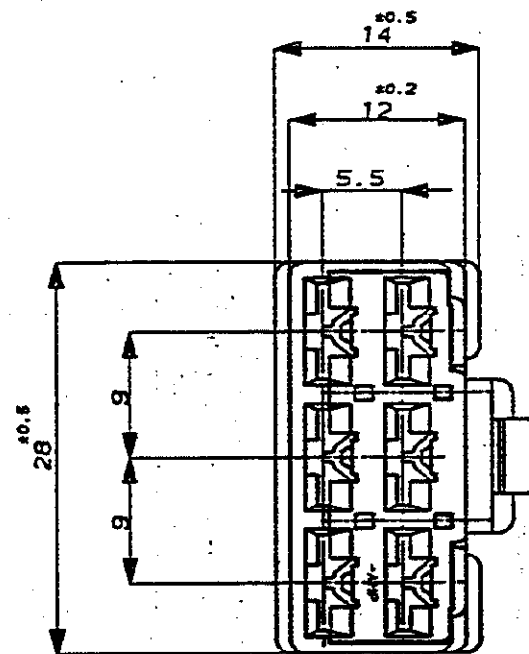
## Contact us

Tel: +86-755-8981 8866 Fax: +86-755-8427 6832

Email & Skype: info@chipsmall.com Web: www.chipsmall.com

Address: A1208, Overseas Decoration Building, #122 Zhenhua RD., Futian, Shenzhen, China





NOTE ;

1. THE MATING COUNTERPART P/N (178025,171897)
2. APPLIED CONTACT (170032,170258,170384)

△ DBL LOCK PLATE  
 MATERIAL ; PBT  
 COLOR ; YELLOW

△ OBSOLETE PARTS: OBSOLETE CIS STREAMLINING PER D.RENAUD/D.SINISI

注 :

- 1 嵌合する相手ハウジングは 型番 178025,171897
  - 2 使用端子は 型番 170032,170258,170384
- △ダブルロックプレートは黄色のPBT材である

番号 (P/N)	色 (COLOR)
6-178022-6	淡灰 (LIGHT GRAY)
△ OBSOLETE 178022-8	オレンジ (ORANGE)
178022-7	黄 (YELLOW)
178022-6	灰 (GRAY)
178022-5	青 (BLUE)
△ OBSOLETE 178022-4	緑 (GREEN)
178022-2	黒 (BLACK)
178022-1	自然色 (NATURAL)

Copyright ©1990 AMP (Japan) LTD. ALL RIGHTS RESERVED.		Copyright ©1990 AMP LTD. ALL RIGHTS RESERVED.		<b>AMP</b> 日本電気株式会社 Tokyo, Japan	
規格 (WIRE RANGE)	規格 (INSULATION DIA.)	名称 (NAME) .250 シリーズダブルロックコネクタ 5極プラグハウジング (インターロックタイプ) .250 SERIES DOUBLE LOCK CONNECTOR 5Pos. PLUG HOUSING (INTER LOCK TYPE)			
材料 (MATERIAL) 6/6 ナイロン (5/5 NYLON)	色 (COLOR) 表参照 SEE TABLE	一般公差 (GENERAL TOLERANCE) HULT: ±0.2 HOML: ±0.25 SOML: ±0.3 R: ±.3	SIZE A3	LOC J	番号 (No.) C-178022
01 REV PER ECO-10-000030 KK AEG 22DEC09	DR T. Sagawa 2/12/91	DR T. Sagawa 2/12/91	尺度 (SCALE) 2-1	REV. 01	SHEET 1 OF 1
LTR 変更 (REVISION RECORD)	DR	CHK	DATE	CHK.	