



Chipsmall Limited consists of a professional team with an average of over 10 year of expertise in the distribution of electronic components. Based in Hongkong, we have already established firm and mutual-benefit business relationships with customers from,Europe,America and south Asia,supplying obsolete and hard-to-find components to meet their specific needs.

With the principle of "Quality Parts,Customers Priority,Honest Operation,and Considerate Service",our business mainly focus on the distribution of electronic components. Line cards we deal with include Microchip,ALPS,ROHM,Xilinx,Pulse,ON,Everlight and Freescale. Main products comprise IC,Modules,Potentiometer,IC Socket,Relay,Connector.Our parts cover such applications as commercial,industrial, and automotives areas.

We are looking forward to setting up business relationship with you and hope to provide you with the best service and solution. Let us make a better world for our industry!



## Contact us

Tel: +86-755-8981 8866 Fax: +86-755-8427 6832

Email & Skype: info@chipsmall.com Web: www.chipsmall.com

Address: A1208, Overseas Decoration Building, #122 Zhenhua RD., Futian, Shenzhen, China

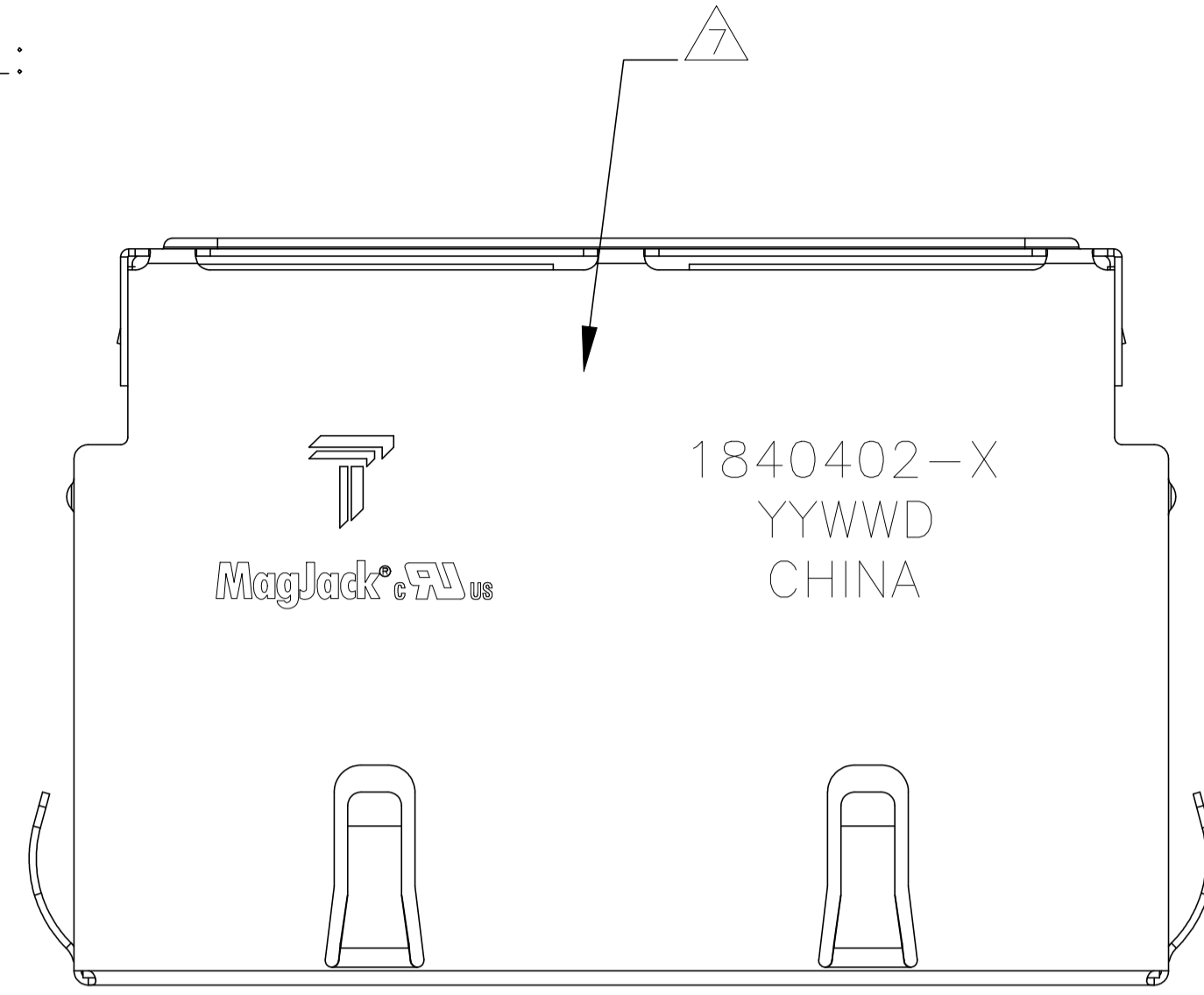


THIS DRAWING AND THE SUBJECT MATTER SHOWN THEREON ARE CONFIDENTIAL AND THE PROPERTY OF BEL/STEWART/TRP CONNECTOR AND SHALL NOT BE REPRODUCED, COPIED, OR USED IN ANY MANNER WITHOUT THE WRITTEN CONSENT OF TRP CONNECTOR.

PRODUCT MAY BE PROTECTED BY ONE OR MORE OF THE FOLLOWING US PATENTS:  
 5736910 5939955 6425781 6428361 6554638 6840817 7123117  
 7429195 7717749 7808751 6217391 6149050 7924130

REVISIONS				
P	REV	DESCRIPTION	DATE	APVD
J		EC-1411035 COMPANY LOGO CHANGE	08JAN2015	TL KZ

MECHANICAL:



- 1 MATERIALS:  
 -HOUSING - THERMOPLASTIC PBT POLYESTER FLAMMABILITY RATING UL 94V-0.  
 -SHIELD - .008" THICK, C26800 BRASS PREPLATED WITH 30μINCH MIN SEMI-BRIGHT NICKEL. SOLDER TABS POST DIPPED WITH 100μINCH MIN SAC SOLDER.  
 -MOD JACK CONTACTS - 0.0157 X 0.018" PHOSPHOR BRONZE, 50μINCH MIN OVERALL NICKEL UNDERPLATE WITH SELECT 50μINCH MIN HARD GOLD FINISH PLATE. SOLDER TAILS WITH 100μINCH MIN MATTE TIN AND/OR SAC SOLDER DIP.  
 -LIGHT EMITTING DIODE(LED)-DIFFUSED EPOXY LENS, 0.020"X0.020" CARBON STEEL WIREFRAME LEADS PREPLATED WITH 80μINCH SILVER OVER 40μINCH NICKEL UNDERPLATE OVER 40μINCH COPPER UNDERPLATE, POST-PLATED WITH 100μINCH MIN MATTE TIN AND/OR SAC SOLDER DIP OR PURE SOLDER DIP.

- 2 RJ45 JACK CAVITY CONFORMS TO FCC RULES AND REGULATIONS PART 68, SUB PART F.

- 3 MAGNETICS  
 -APPLICATION: 10/100/1000 BASE-T  
 -IMPEDANCE: 100 OHMS  
 -TURNS RATIO (CHIP:CABLE): 1:1 ALL FOUR PAIRS  
 -OPEN CIRCUIT INDUCTANCE (OCL): 350μH MIN @100kHz, 0.1VRMS,  
 8mADC BIAS FROM 0°C TO 70°C, ALL FOUR PAIRS  
 -ALL FOUR PAIRS BI-DIRECTIONAL  
 -PERFORMANCE @ 25°C:  
 INSERTION LOSS (IL): 1.1dB MAX FROM 0.5MHz TO 100MHz  
 RETURN LOSS (RL): 18dB MIN FROM 0.5MHz TO 40MHz  
 12-20LOG(f/80)dB MIN FROM 40.1MHz TO 100MHz  
 CROSSTALK ATTENUATION: 35dB MIN FROM 0.5MHz TO 40MHz  
 33-20LOG(f/50)dB MIN FROM 40.1MHz TO 100MHz  
 COMMON MODE REJECTION RATIO (CMRR): 30dB MIN FROM 0.5MHz TO 100MHz  
 -ISOLATION VOLTAGE: COMPLIES WITH IEEE802.3 2002, PARA 40.6.1.1, ITEM b.

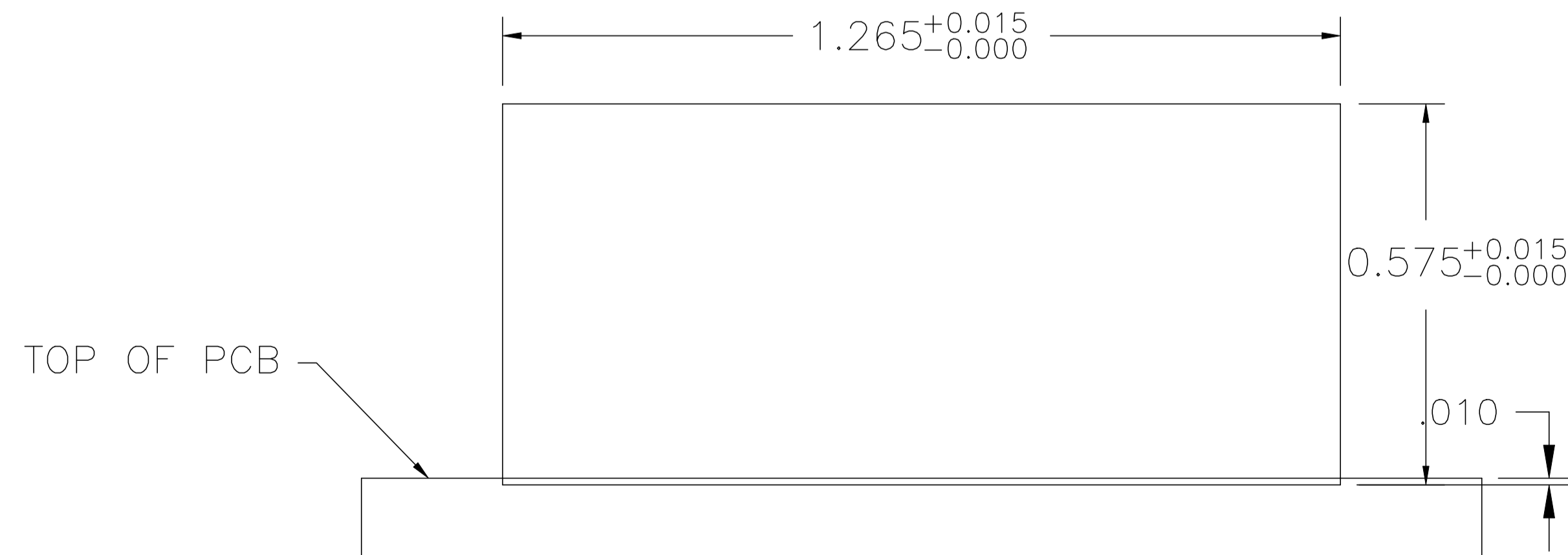
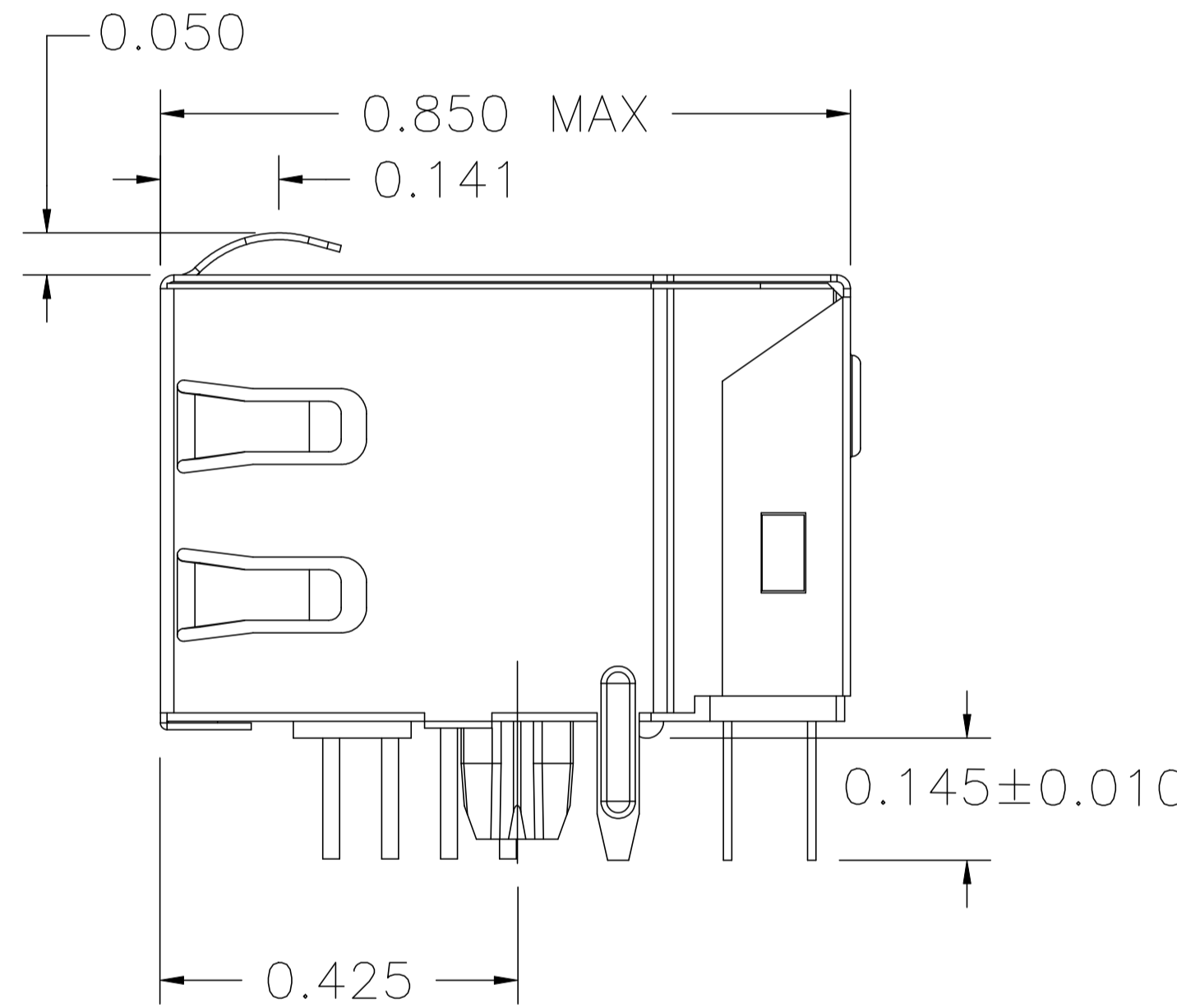
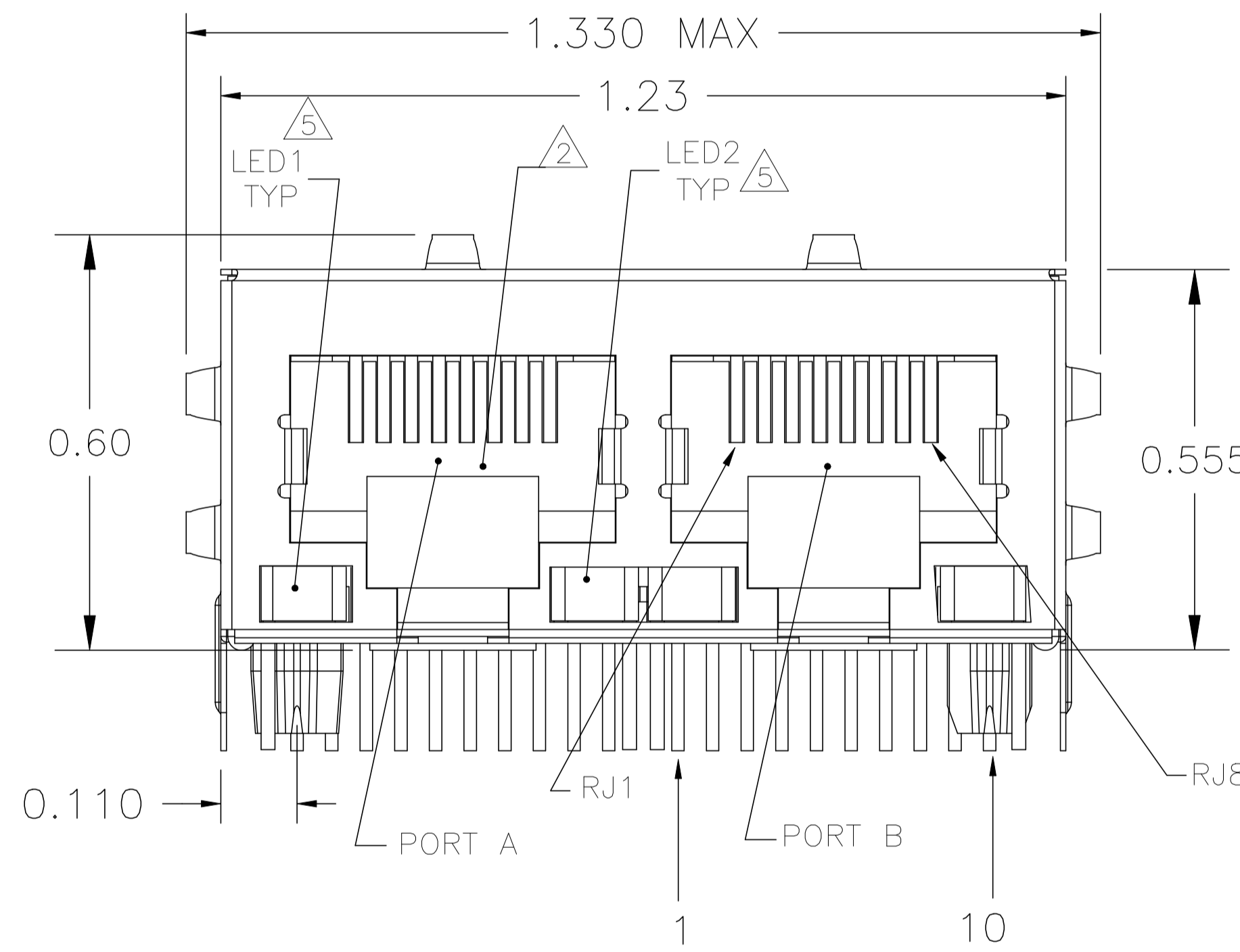
4. OPERATING TEMPERATURE: FROM 0°C TO +70°C.

- 5 THE 250 OHM LED RESISTORS ARE OPTIONAL, PLEASE SEE CHART FOR PRESENCE OR ABSENCE OF LED RESISTORS. IF THE LED WITHOUT 250 OHM RESISTORS, LED IS DRIVEN WITH CONSTANT CURRENT AT APPROX 20mA.LED COLOR:  
 DOMINANT WAVELENGTH(λD):GREEN 568nm TYP. @ IF=20mA  
 FORWARD VOLTAGE (VF): GREEN 2.2V TYP. @ IF=20mA  
 DOMINANT WAVELENGTH(λD):YELLOW 588nm TYP. @ IF=20mA  
 FORWARD VOLTAGE (VF): YELLOW 2.1V TYP. @ IF=20mA.  
 IF THE LED WITH 250 OHM RESISTORS,LED IS DRIVEN WITH 5V VOLTAGE AND THE MAX OPERATING CURRENT IS 20mA.LED COLOR:  
 DOMINANT WAVELENGTH(λD):GREEN 568nm TYP. @ VF=5V  
 FORWARD CURRENT (IF): GREEN 12 mA TYP. @ VF=5V  
 DOMINANT WAVELENGTH(λD): YELLOW 588nm TYP. @ VF=5V  
 FORWARD CURRENT (IF): YELLOW 13 mA TYP. @ VF=5V

- 6 INDICATED MAGNETIC CONNECTIONS ARE SYMMETRICAL AND SUPPORT AUTO-MDIX.

- 7 TRP CONNECTOR LOGO, PART NUMBER, DATE CODE, COUNTRY OF ORIGIN AND AGENCY APPROVAL MARKING IN APPROXIMATE LOCATION SHOWN.

8. THESE PARTS ARE RECOMMENDED FOR WAVE SOLDERING PROCESS.PREHEAT TEMPERATURE IS 120°C TO 160°C, 120 SECONDS TO 180 SECONDS,PEAK WAVE SOLDERING TEMPERATURE IS 260°C MAX,10 SECONDS MAX.



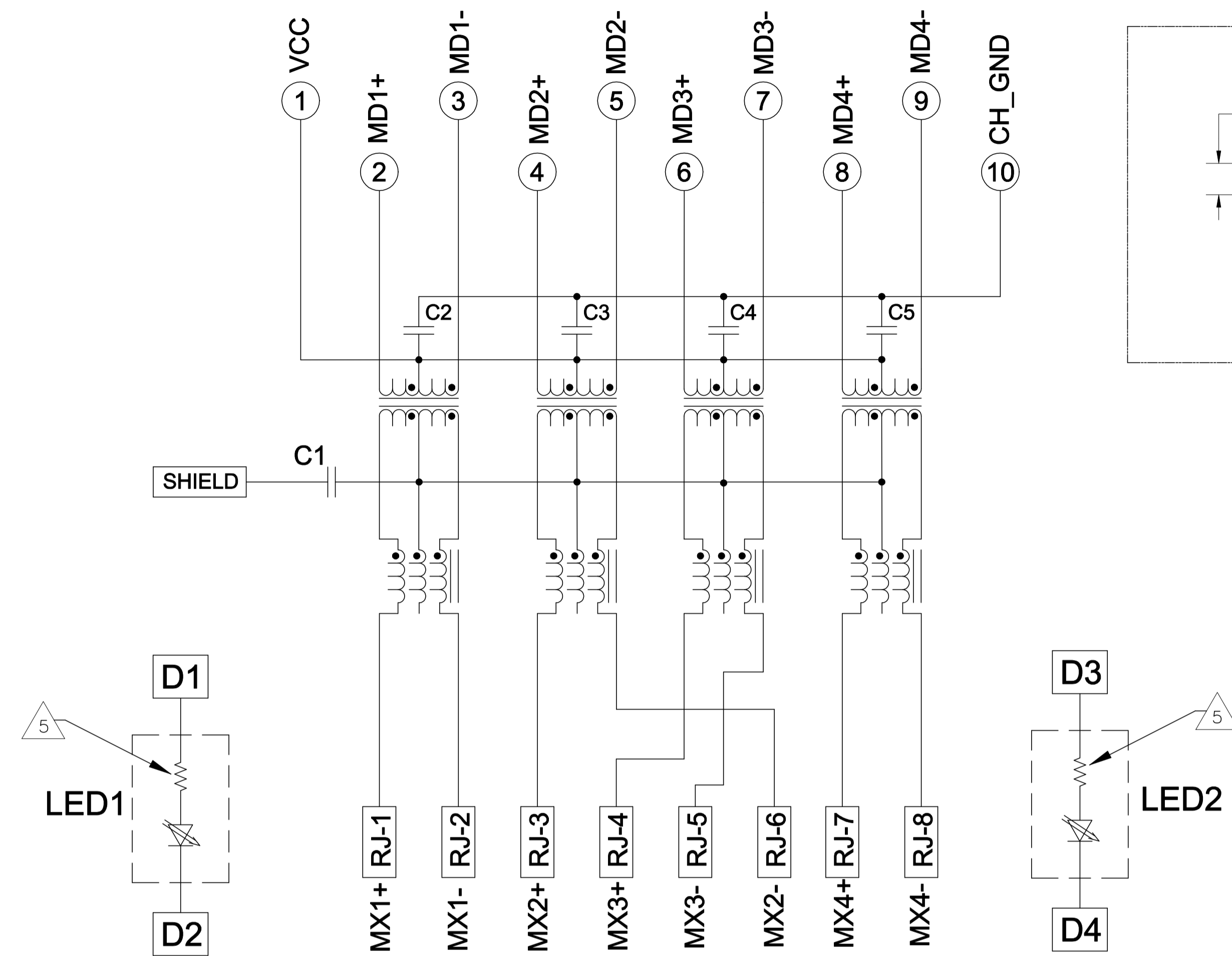
1X2 SUGGESTED PANEL CUTOUT

NO	GREEN	GREEN	6-1840402-7
YES	GREEN	GREEN	6-1840402-1
NO	GREEN	GREEN/YELLOW	1-1840402-6
NO	GREEN/YELLOW	GREEN/YELLOW	1840402-6
250 OHMS RESISTOR	LED1	LED2	PART NUMBER

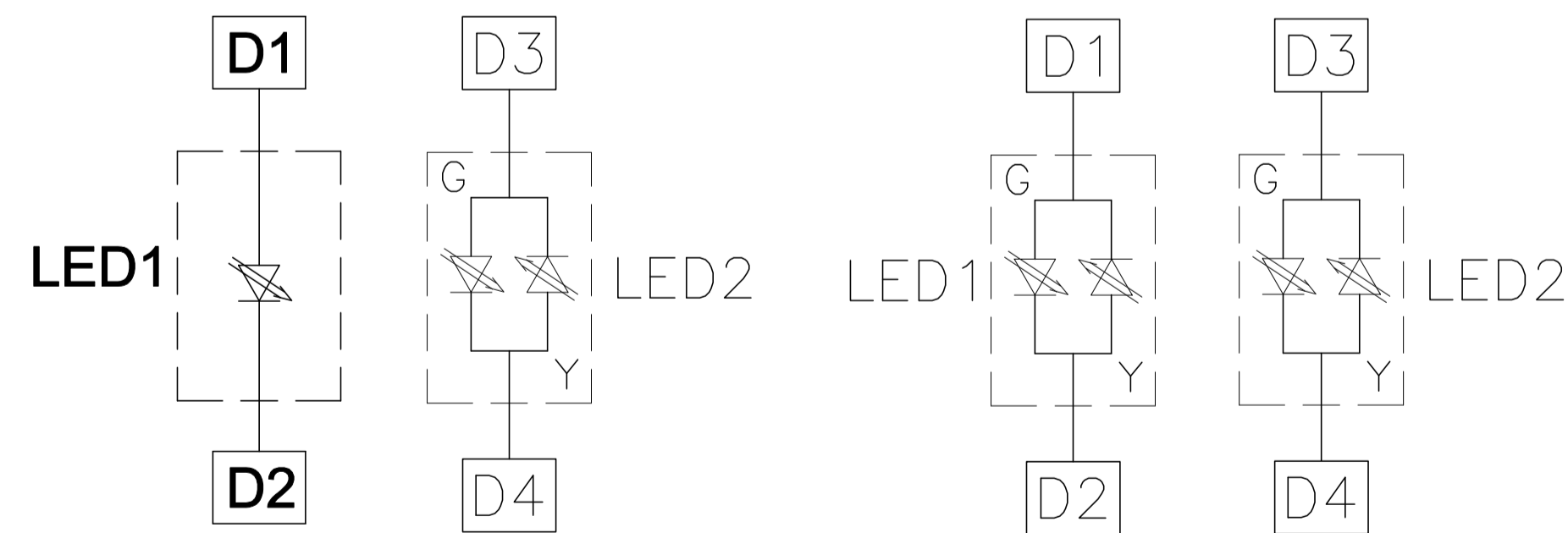
THIS DRAWING IS A CONTROLLED DOCUMENT.		DWN GOLD ZHU 05 Aug 2005		trp CONNECTOR DONGGUAN CHINA	
DIMENSIONS: INCHES		CHK MICHAEL ZHANG 05 Aug 2005		DESC 1X2 4C08P1 GIGABIT TAB DOWN W/ LED	
TOLERANCES UNLESS OTHERWISE SPECIFIED:		APVD TEDDY XIONG 05 Aug 2005		SIZE CAGE CODE DRAWING NO RESTRICTED TO	
0 PLC ± -	1 PLC ± -	MODEL NAME MAGJACK		A1	
2 PLC ± .010	3 PLC ± .005	GANG NON-POE		C=1840402	
4 PLC ± -	ANGLES ± -	CUSTOMER DRAWING		SCALE NTS SHEET 1 OF 2 REV J	
PRODUCT SPEC 108-2100	APPLICATION SPEC -				

ELECTRICAL:

4G08P1 GIGABIT CIRCUIT  



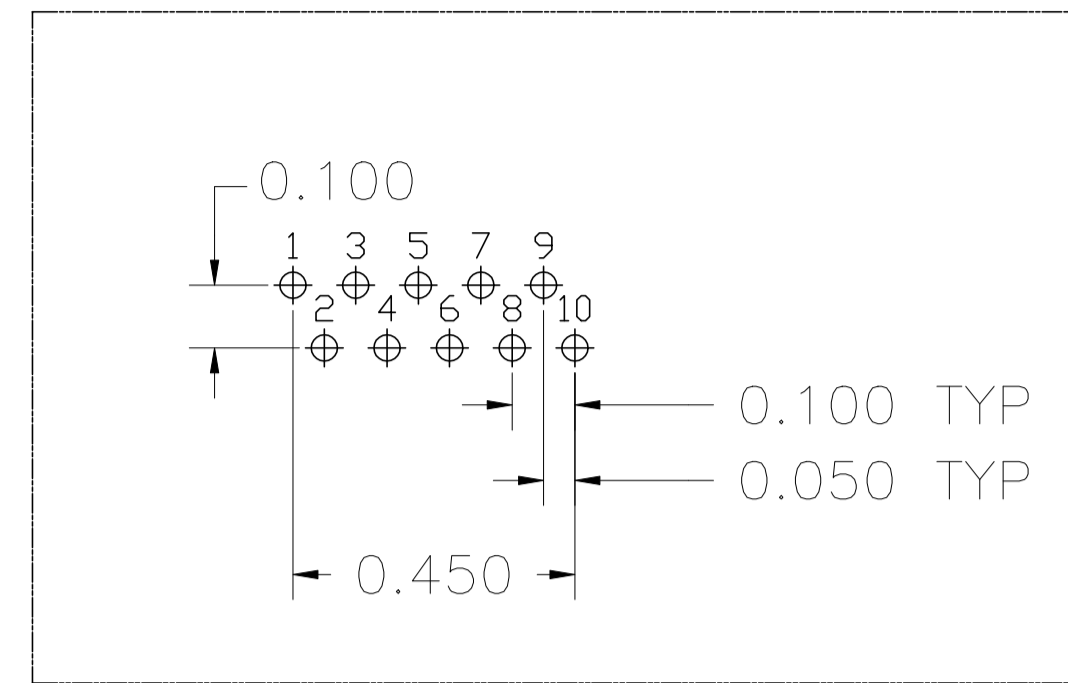
C1 = 1000pF, 2kV, X7R CAPACITOR  
 C2 - C5 = 470pF, 50V CAPACITORS



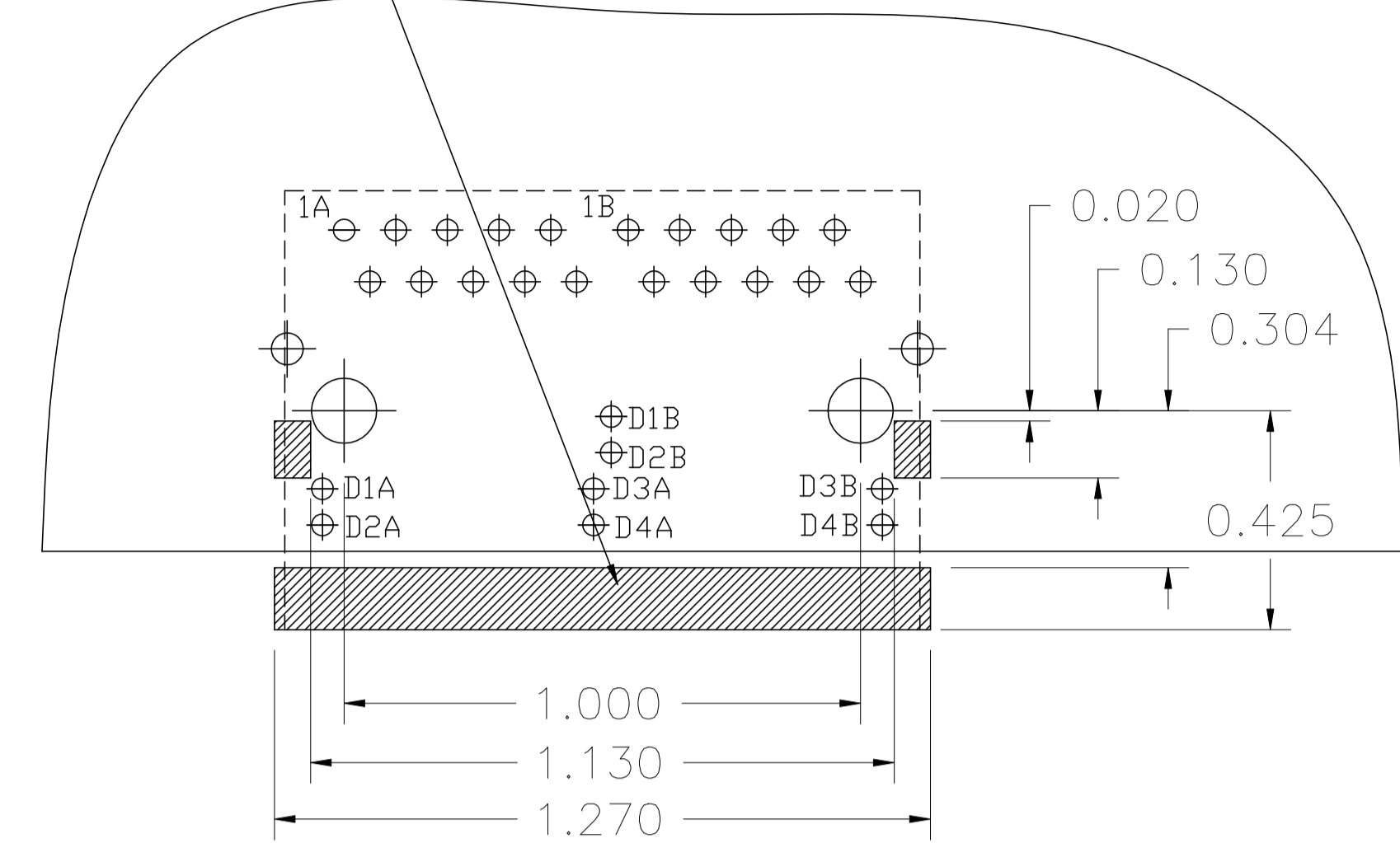
LED CONFIGURATION FOR 1-1840402-6 ONLY

LED CONFIGURATION FOR 1840402-6 ONLY

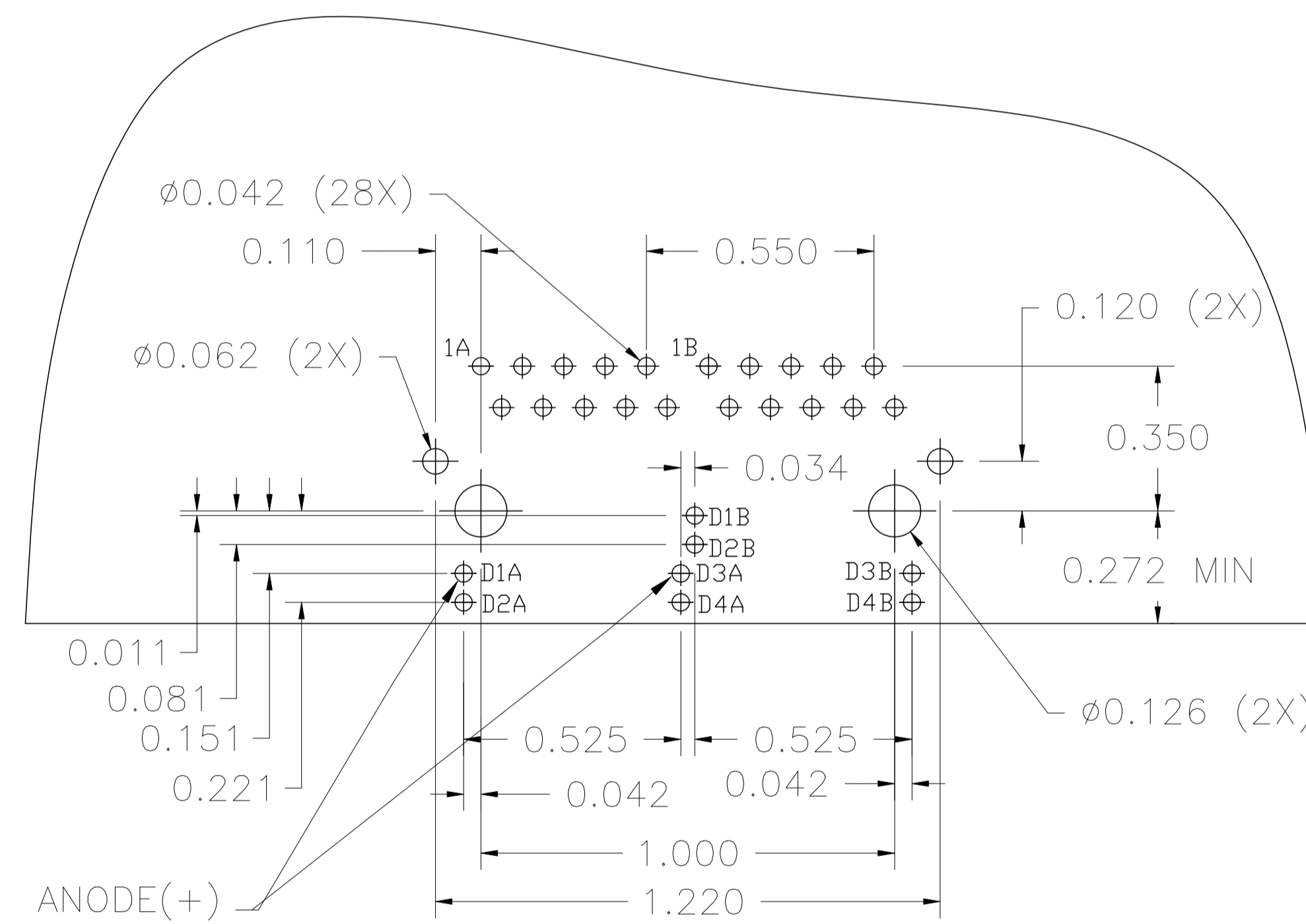
IT IS RECOMMENDED THAT SHADED AREA OF CUSTOMER PC BOARD SHOULD BE CLEAR OF ANY VIA HOLES AND COMPONENTS




PIN DESIGNATIONS



SUGGESTED PCB KEEP OUT AREA (Component Side)



SUGGESTED PCB LAYOUT (Component Side)

THIS DRAWING IS A CONTROLLED DOCUMENT.		DWN GOLD ZHU 05 Aug 2005			DONGGUAN CHINA
DIMENSIONS: INCHES		CHK MICHAEL ZHANG 05 Aug 2005			
TOLERANCES UNLESS OTHERWISE SPECIFIED:		APVD TEDDY XIONG 05 Aug 2005		DESC 1X2 4G08P1 GIGABIT TAB DOWN W/ LED	
0 PLC ± -		MODEL NAME		SIZE CAGE CODE DRAWING NO RESTRICTED TO	
1 PLC ± -		MAGJACK		A1 C=1840402	
2 PLC ± .010		GANG NON-POE		SCALE NTS SHEET 2 OF 2 REV J	
3 PLC ± .005		CUSTOMER DRAWING			
4 PLC ± -					
ANGLES ± -					
APPLICATION SPEC					
108-2100					