



Chipsmall Limited consists of a professional team with an average of over 10 year of expertise in the distribution of electronic components. Based in Hongkong, we have already established firm and mutual-benefit business relationships with customers from,Europe,America and south Asia,supplying obsolete and hard-to-find components to meet their specific needs.

With the principle of “Quality Parts,Customers Priority,Honest Operation,and Considerate Service”,our business mainly focus on the distribution of electronic components. Line cards we deal with include Microchip,ALPS,ROHM,Xilinx,Pulse,ON,Everlight and Freescale. Main products comprise IC,Modules,Potentiometer,IC Socket,Relay,Connector.Our parts cover such applications as commercial,industrial, and automotives areas.

We are looking forward to setting up business relationship with you and hope to provide you with the best service and solution. Let us make a better world for our industry!



## Contact us

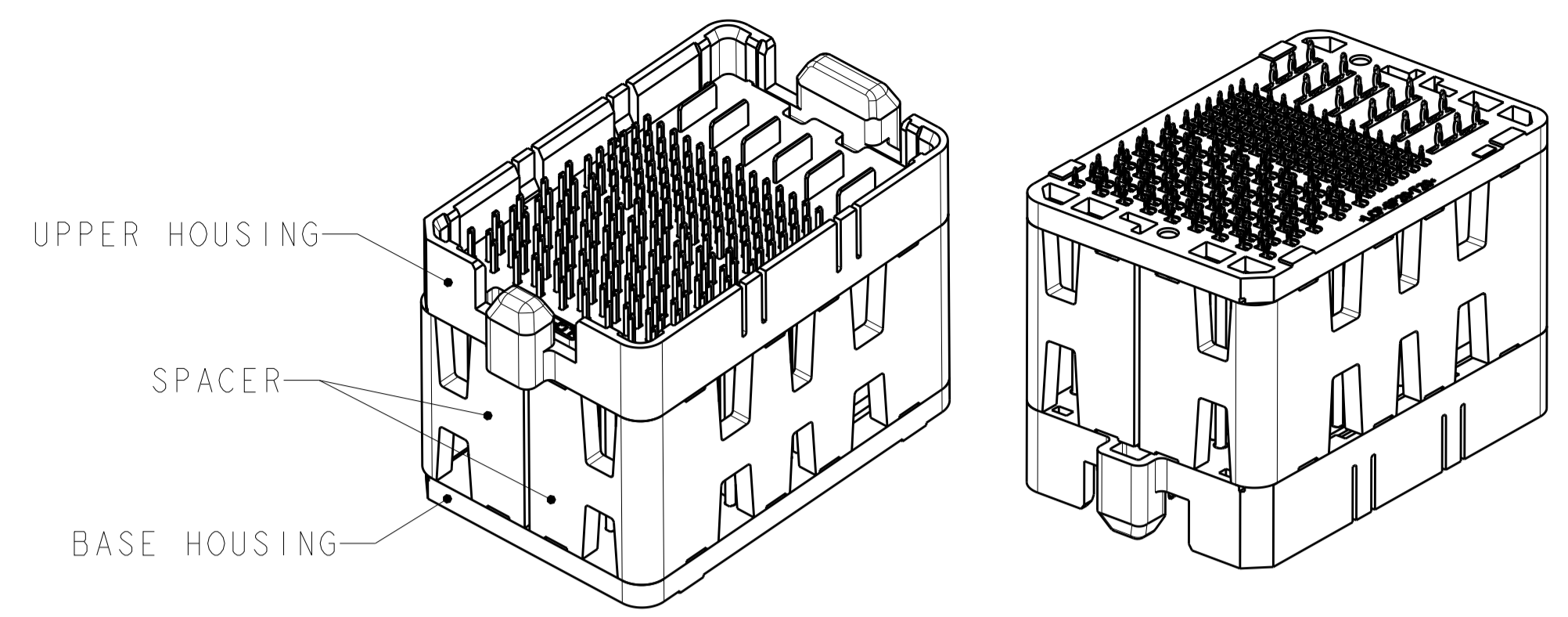
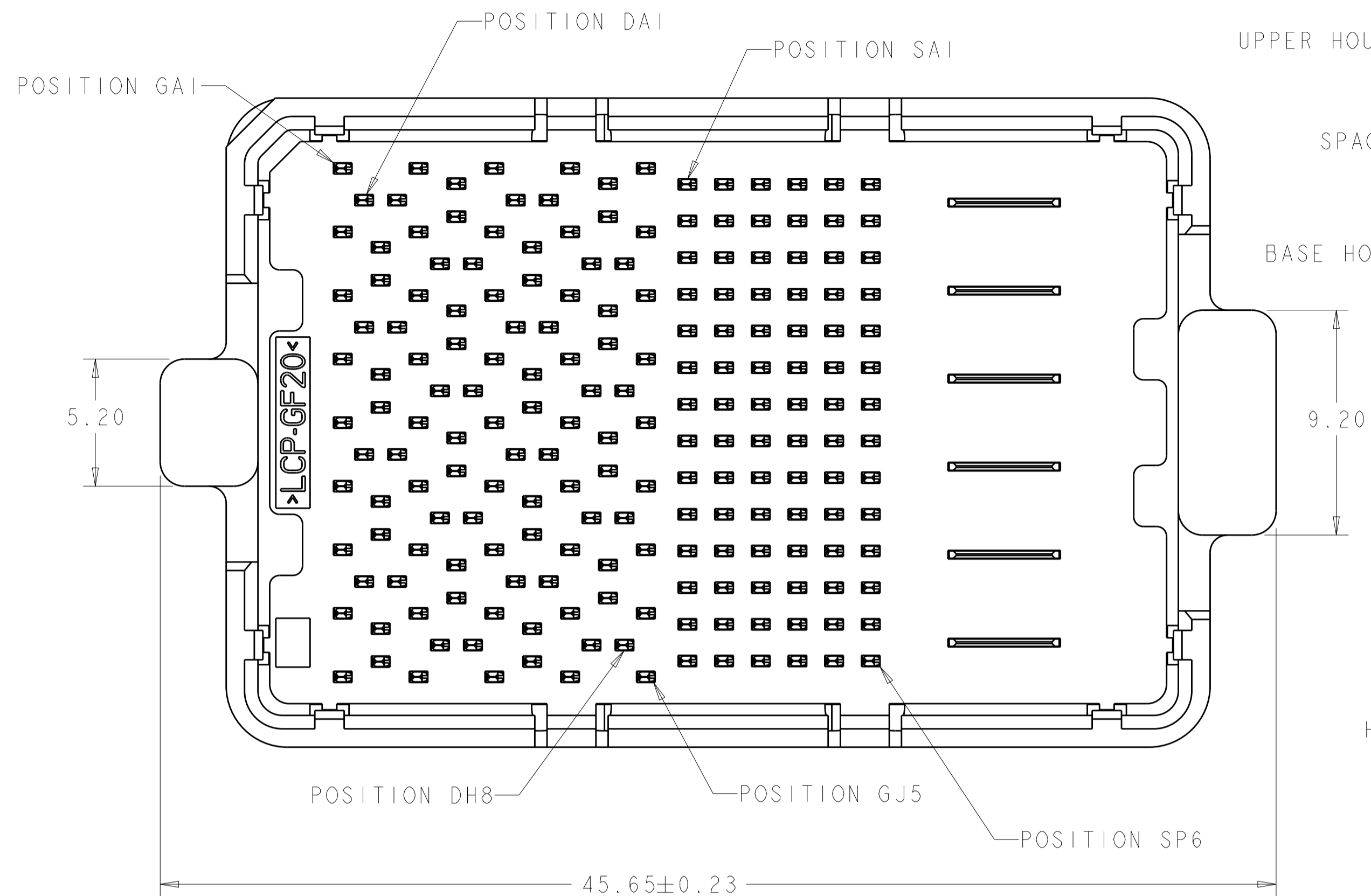
Tel: +86-755-8981 8866 Fax: +86-755-8427 6832

Email & Skype: info@chipsmall.com Web: www.chipsmall.com

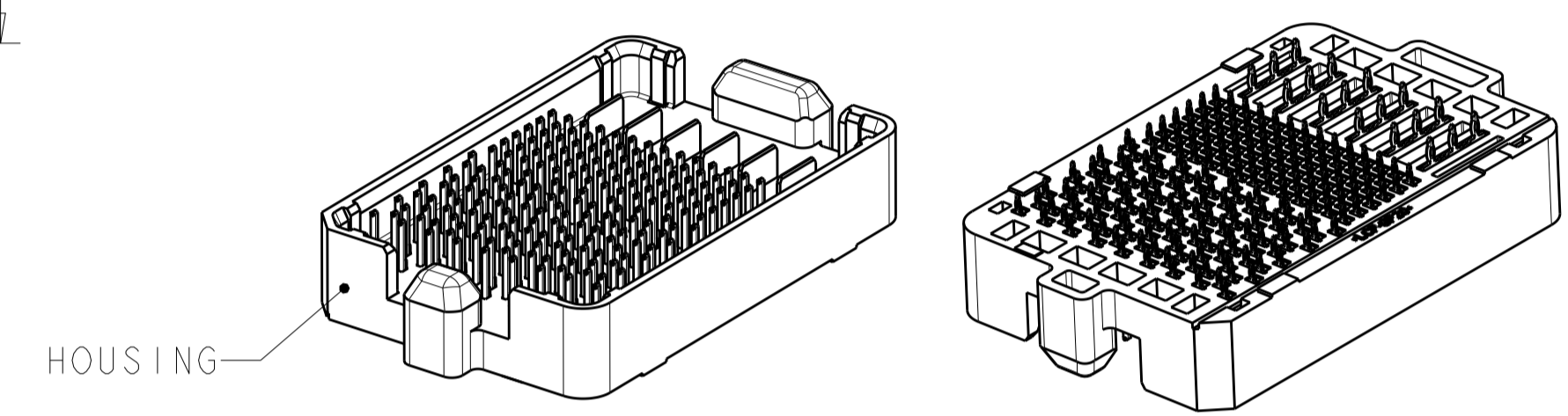
Address: A1208, Overseas Decoration Building, #122 Zhenhua RD., Futian, Shenzhen, China



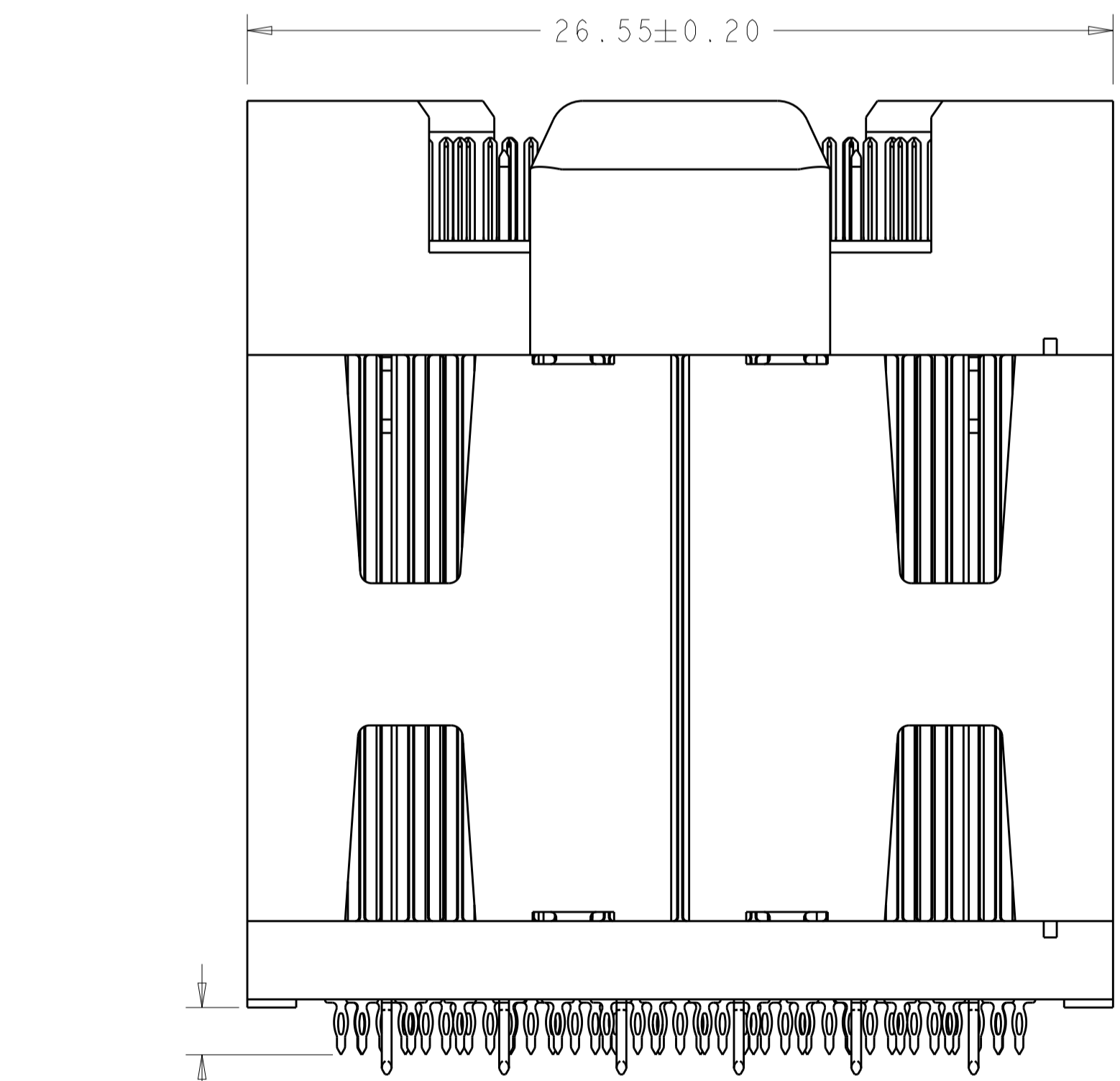
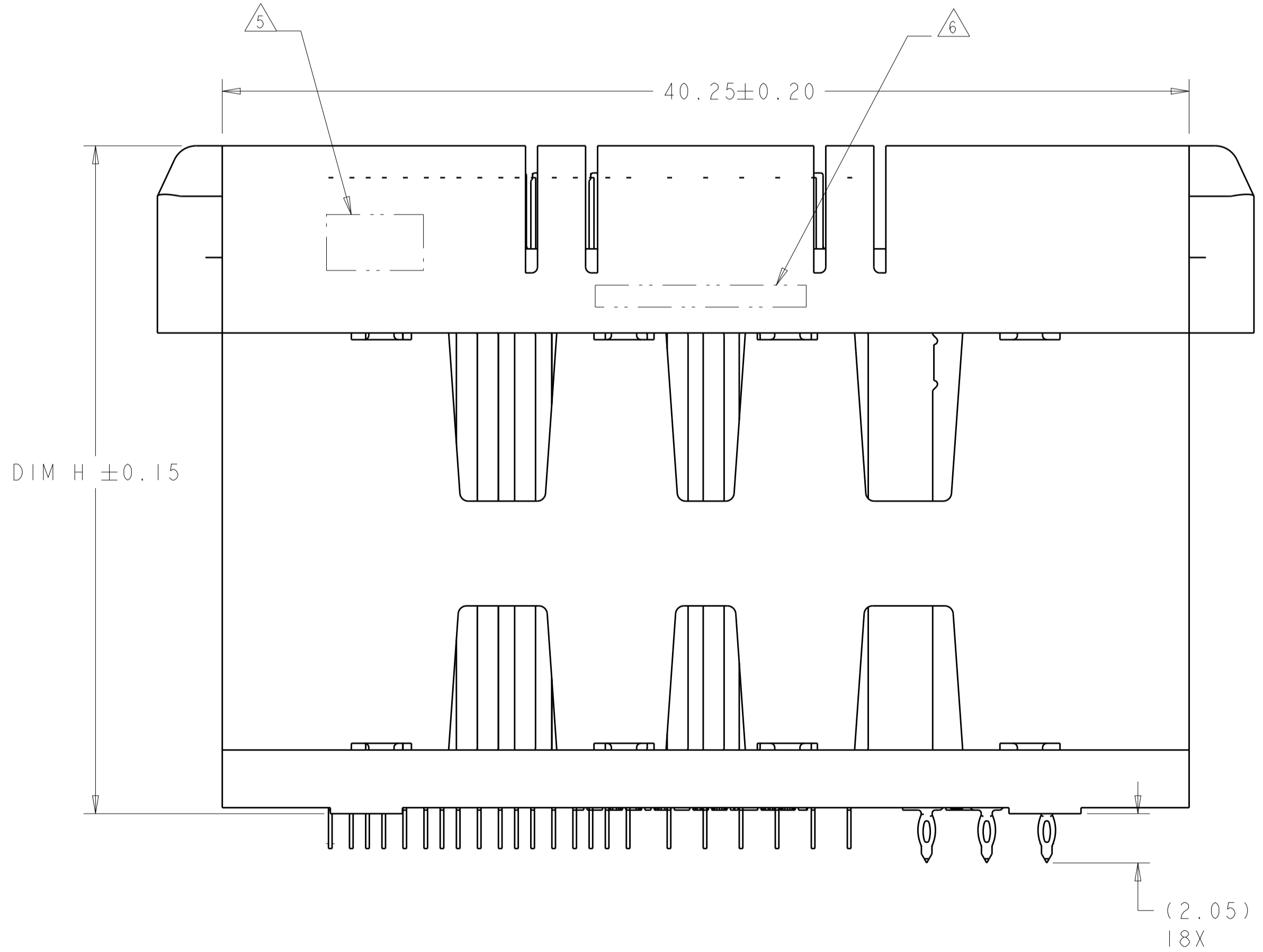
LOC	DIST	REVISIONS					
		P	LTN	DESCRIPTION	DATE	OWN	APVD
AD	00	A		INITIAL REVISION	13MAR2013	-	-



ISOMETRIC VIEW  
TYPICAL CONFIGURATION FOR 14mm THRU 42mm  
28mm SHOWN  
SCALE 2:1



ISOMETRIC VIEW  
TYPICAL CONFIGURATION FOR 8mm THRU 13mm  
8mm SHOWN  
SCALE 2:1



(1.45)  
193X

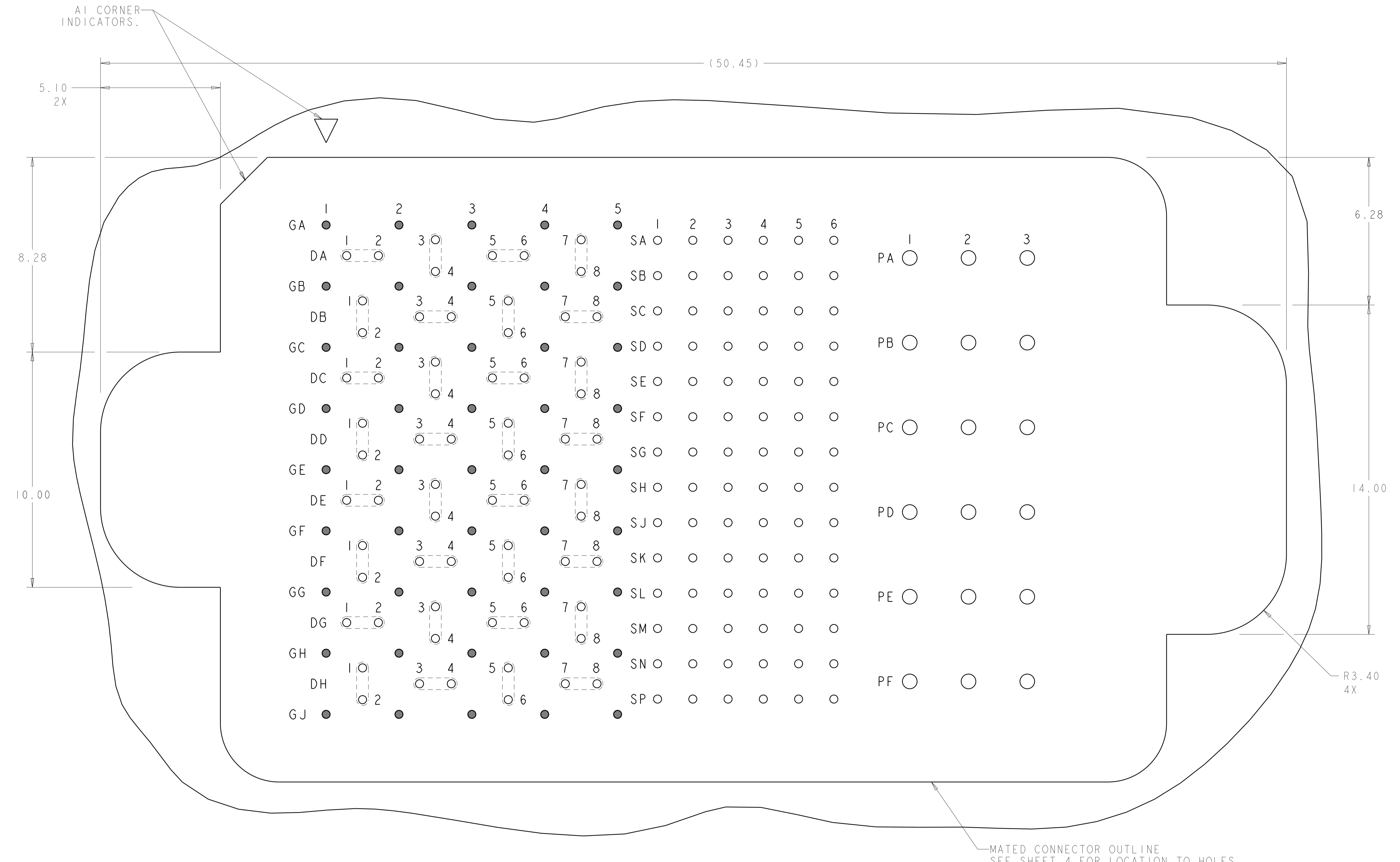
- 1 MATERIAL:  
BASE HOUSING, UPPER HOUSING, ORGANIZER,  
AND SPACER: THERMOPLASTIC, FLAMMABILITY  
RATING UL94-V0  
CONTACT: COPPER ALLOY
- 2. CONFORMS TO THE REQUIREMENTS OF TE PRODUCT  
SPECIFICATION, 108-2375; BASED ON TELCORDIA  
GR-1217-CORE FOR SYSTEM QUALITY LEVEL III,  
APPLICATIONS IN CONTROLLED ENVIRONMENTS  
(CENTRAL OFFICE).  
SEE TE PRODUCT SPECIFICATION 108-2375 FOR  
TEST SEQUENCES.
- 3 ROWS GA THRU GJ (SHOWN DARKENED) ARE TYPICALLY  
USED AS GROUNDS.
- 4 SPECIFIED POSITIONAL TOLERANCE DEFINES HOLE TO  
HOLE LOCATION WITHIN HOLE PATTERN. POSITIONAL  
TOLERANCE OF HOLE PATTERN TO FIDUCIAL MARKS  
OR PCB DATUMS SHALL BE DEFINED BY CUSTOMER.
- 5 AREA RESERVED FOR TE CONNECTIVITY LOGO.
- 6 AREA RESERVED FOR PART NUMBER (X-XXXXXXX-X)  
AND DATE CODE (YYWW).
- 7 USE CENTERLINES INDICATED ON PCB HOLE PATTERN  
TO ESTABLISH ALIGNMENT BETWEEN HEADER AND  
RECEPTACLE BOARDS.
- 8 PLATED THROUGH HOLE REQUIREMENTS - SIGNAL:  
HOLE SIZE PRIOR TO PLATING =  $\varnothing 0.420 \pm 0.013$   
COPPER PLATING THICKNESS =  $0.038 \pm 0.013$   
CALCULATED FINISHED HOLE SIZE =  $\varnothing 0.344 \pm 0.039$   
THESE DIMENSIONS APPLY TO THE TOP 1.25mm OF  
THE PCB THICKNESS FROM THE CONNECTOR MOUNTING  
SIDE.
- 9 PLATED THROUGH HOLE REQUIREMENTS - POWER:  
HOLE SIZE PRIOR TO PLATING =  $\varnothing 0.700 \pm 0.025$   
COPPER PLATING THICKNESS =  $0.038 \pm 0.013$   
CALCULATED FINISHED HOLE SIZE =  $\varnothing 0.624 \pm 0.051$   
THESE DIMENSIONS APPLY TO THE TOP 1.50mm OF  
THE PCB THICKNESS FROM THE CONNECTOR MOUNTING  
SIDE.

**SIZE 2 HOUSING W/ GUIDE POSTS**  
**32 DIFFERENTIAL PAIRS**  
**84 HIGH-DENSITY GRID**  
**193 TOTAL SIGNAL CONTACTS**  
**6 POWER CONTACTS**

10.8	11mm	MATTE Sn	6-2227706-1
DIM H	STACK HEIGHT	CONTACT TAIL PLATING	PART NUMBER

THIS DRAWING IS A CONTROLLED DOCUMENT.		OWN: M. HORNUNG	DATE: 13MAR2013	TE Connectivity
DIMENSIONS: mm		CHK: M. HORNUNG	APVD: -	
TOLERANCES UNLESS OTHERWISE SPECIFIED:		PRODUCT SPEC		NAME: HEADER ASSEMBLY 32/84/6P STRADA MESA MEZZANINE CONNECTOR
0 PLC ±		108-2375		
2 PLC ±0.13		APPLICATION SPEC		SIZE: CAGE CODE DRAWING NO A100779C=2227706
3 PLC ±0.013		114-13249		
4 PLC ±		WEIGHT		RESTRICTED TO SCALE 2:1 SHEET 1 OF 3 REV A
ANGLES		Customer Drawing		
FINISH				

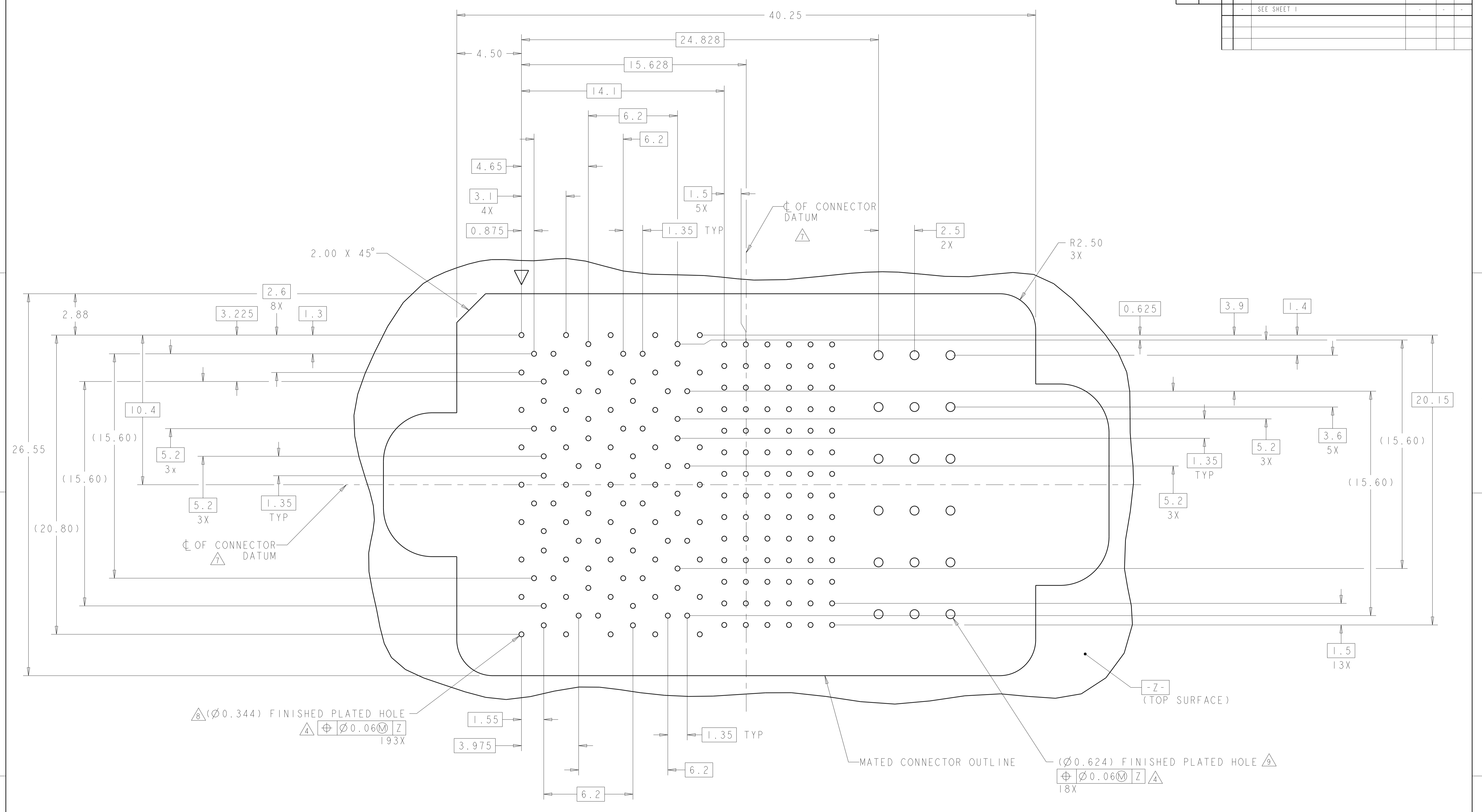
LOC		DIST		REVISIONS			
P	LTN	DATE	DMN	APVD			
-	SEE SHEET 1	-	-	-			



**PCB LAYOUT AND PIN IDENTIFICATION**   
 SHOWN FROM CONNECTOR SIDE  
 SCALE 12:1

THIS DRAWING IS A CONTROLLED DOCUMENT.		DMN M. HORNING TIMAR2013	TE Connectivity	
DIMENSIONS:		CHK M. HORNING TIMAR2013		
mm	TOLERANCES UNLESS OTHERWISE SPECIFIED:	APVD	NAME	
0 PLC ±	1 PLC ±0.13	PRODUCT SPEC		
2 PLC ±0.013	3 PLC ±0.013	108-2375		
4 PLC ±	ANGLES ±1	APPLICATION SPEC		
MATERIAL	FINISH	114-13249	SIZE CAGE CODE DRAWING NO	
		WEIGHT	A100779C=2227706	
		Customer Drawing		RESTRICTED TO
		SCALE 2:1	SHEET 2 OF 3	REV A

LOC		DIST		REVISIONS				
AD	00	P.	LTH	DESCRIPTION	DATE	DWN	APVD	
		-		SEE SHEET 1	-	-	-	



**PCB HOLE PATTERN**  
 SHOWN FROM CONNECTOR SIDE  
 SCALE 8:1

△(∅0.344) FINISHED PLATED HOLE  
 4 ⊕ ∅0.06 M Z 193X

∅0.624) FINISHED PLATED HOLE  
 ⊕ ∅0.06 M Z 18X

THIS DRAWING IS A CONTROLLED DOCUMENT.		DWN M. HORNUNG TIMAR2013	TE Connectivity
DIMENSIONS: mm		CHK M. HORNUNG TIMAR2013	
TOLERANCES UNLESS OTHERWISE SPECIFIED: 0 PLC ± 1 PLC ±0.13 2 PLC ±0.013 3 PLC ± 4 PLC ± ANGLES ±1		APVD -	NAME
		PRODUCT SPEC	HEADER ASSEMBLY 32/84/6P STRADA MESA MEZZANINE CONNECTOR
MATERIAL	FINISH	APPLICATION SPEC	RESTRICTED TO
-	-	114-13249	SIZE CAGE CODE DRAWING NO
		WEIGHT	A100779C=2227706
		Customer Drawing	SCALE 2:1 SHEET 3 OF 3 REV A