



Chipsmall Limited consists of a professional team with an average of over 10 year of expertise in the distribution of electronic components. Based in Hongkong, we have already established firm and mutual-benefit business relationships with customers from,Europe,America and south Asia,supplying obsolete and hard-to-find components to meet their specific needs.

With the principle of "Quality Parts,Customers Priority,Honest Operation,and Considerate Service",our business mainly focus on the distribution of electronic components. Line cards we deal with include Microchip,ALPS,ROHM,Xilinx,Pulse,ON,Everlight and Freescale. Main products comprise IC,Modules,Potentiometer,IC Socket,Relay,Connector.Our parts cover such applications as commercial,industrial, and automotives areas.

We are looking forward to setting up business relationship with you and hope to provide you with the best service and solution. Let us make a better world for our industry!



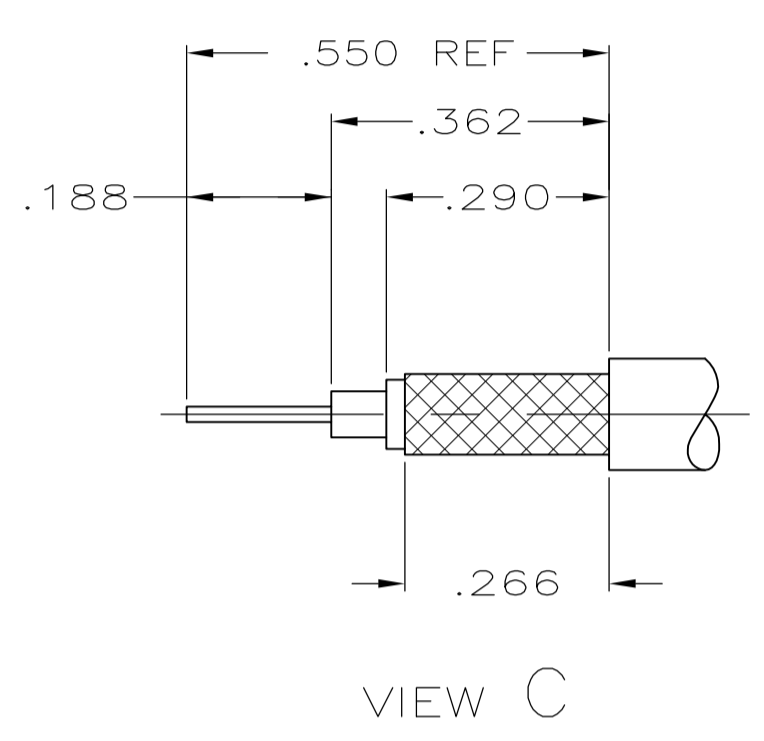
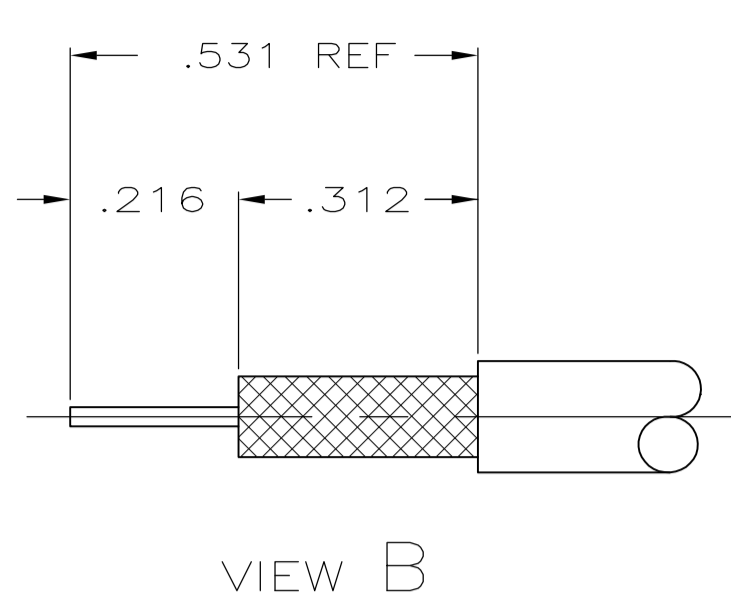
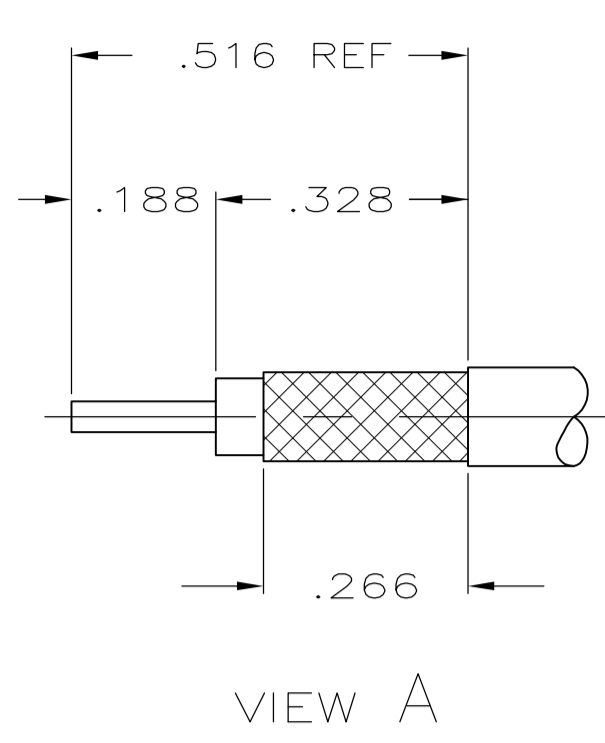
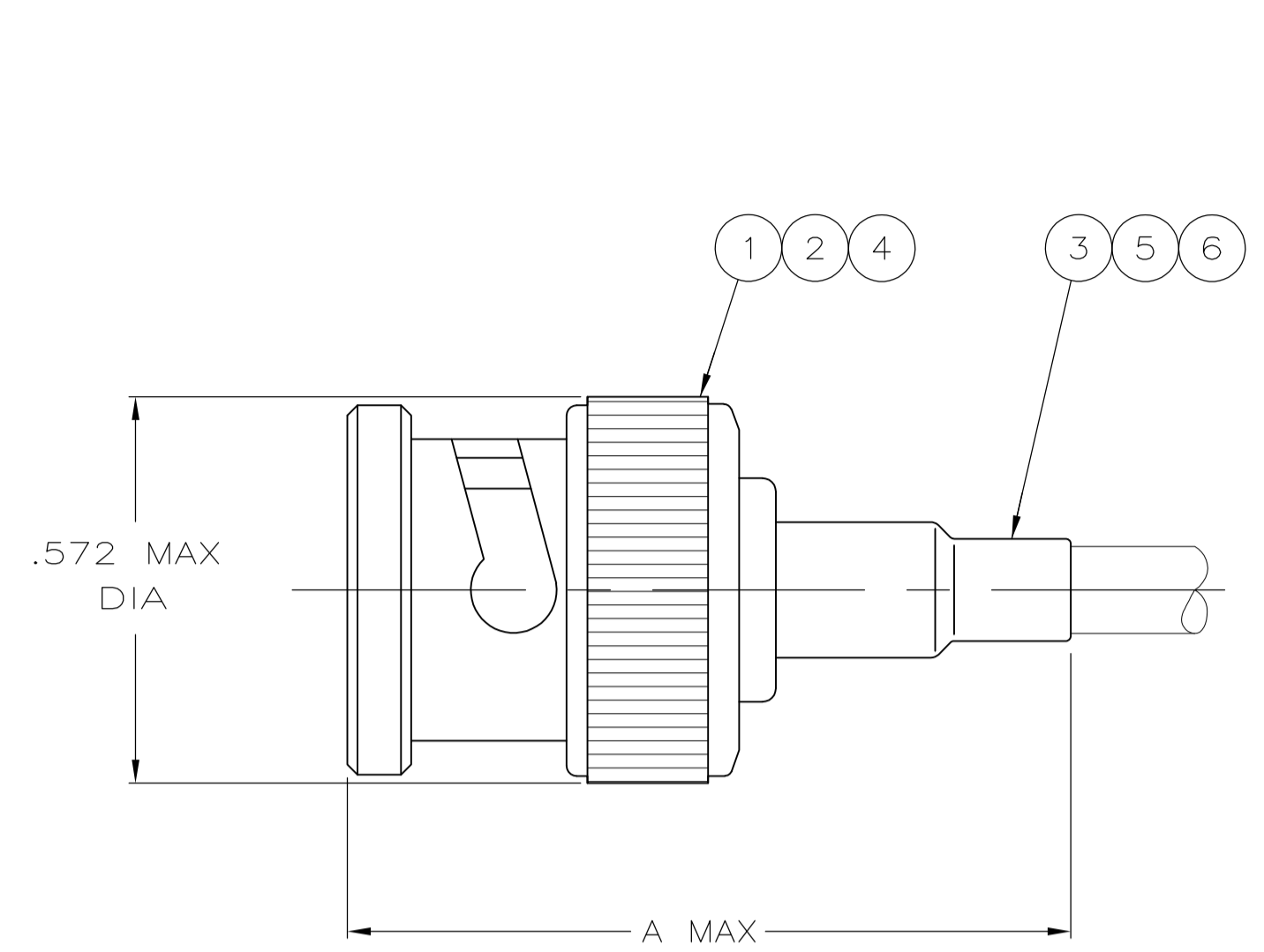
Contact us

Tel: +86-755-8981 8866 Fax: +86-755-8427 6832

Email & Skype: info@chipsmall.com Web: www.chipsmall.com

Address: A1208, Overseas Decoration Building, #122 Zhenhua RD., Futian, Shenzhen, China





- 1 CABLE USED WITHOUT SPACER
- 2 CABLE USED WITH SPACER
- 3. SEE INSTRUCTION SHEET 408-2798
- 4. PARTS PACKAGED UNASSEMBLED
- 5 USE WITH HAND TOOL FRAME 354940-1
- 6 USE WITH HANDTOOL 69710-1, OR PNEUMATIC TOOL 69365 & 69365-3
- 7 OBSOLETE PARTS: OBSOLETE CIS STREAMLINING PER D.RENAUD/D.SINISI

RECOMMENDED STRIP LENGTH

	OBSOLETE	H.P. RED TRIAXIAL	-	58330-1	69477-4	C	1.090	1-938013-3	-	-	9-329461-0	9-227322-0	413530-6	4-227079-0
	OBSOLETE	RG-180/U,180A/U,180B/U & 195/U	-	58330-1	69477-4	A	1.090	-	-	-	9-329461-0	9-221607-4	413530-5	3-227079-7
SUPERSEDED BY 8-227079-2		RG-188/U DOUBLE BRAIDED	-	58330-1	69477-4	A	1.090	-	227194-1	-	9-329049-0	9-227322-0	413530-6	3-227079-3
	OBSOLETE	BELDEN 9248	-	220244-1	220247-1	A	1.090	-	-	-	9-50427-0	1-221607-7	413530-3	3-227079-2
	OBSOLETE	BELDEN 9248	-	220244-1	220247-1	A	1.090	-	-	-	9-50427-0	1-221607-8	413530-3	3-227079-1
	OBSOLETE	BELDEN 9248 & 9114	-	220244-1	220247-1	A	1.090	-	-	-	9-50427-0	1-221607-6	413530-3	3-227079-0
		RG-179/U & 187/U	220217-3	220210-1	220009-5	A	1.090	-	227194-1	-	9-328666-0	227322-4	227074-2	2-227079-2
SUPERSEDED BY 2-227079-2		RG-179/U & 187/U	220217-3	220210-1	220009-5	A	1.090	-	227194-1	-	9-328666-0	227322-3	413530-6	2-227079-1
SUPERSEDED BY 2-5227079-0		RG-179/U & 187/U	220217-3	220210-1	220009-5	A	1.090	-	227194-1	-	9-328666-0	9-227322-1	413530-6	2-227079-0
		BELDEN 8218,AMPHENOL 21-597 & BELDEN NH SPECIAL	-	58330-1	69477-4	A	1.090	-	-	-	9-329461-0	2-221607-2	413530-5	1-227079-9
SUPERSEDED BY 1-227079-9		BELDEN 8218,AMPHENOL 21-597 & BELDEN NH SPECIAL	-	58330-1	69477-4	A	1.090	-	-	-	9-329461-0	2-221607-1	413530-5	1-227079-8
	OBSOLETE	BELDEN 8218,AMPHENOL 21-597 & BELDEN NH SPECIAL	-	58330-1	69477-4	A	1.090	-	-	-	9-329461-0	9-221607-3	413530-5	1-227079-7
		RG-174/U & 188/U	220217-3	220210-1	220009-5	A	1.090	-	227194-1	-	9-328666-0	227322-8	227074-2	1-227079-6
SUPERSEDED BY 1-227079-6		RG-174/U & 188/U	220217-3	220210-1	220009-5	A	1.090	-	227194-1	-	9-328666-0	227322-7	413530-6	1-227079-5
	OBSOLETE	RG-174/U & 188/U	220217-3	220210-1	220009-5	A	1.090	-	227194-1	-	9-328666-0	9-227322-0	413530-6	1-227079-4
	OBSOLETE	BELDEN 9266	-	220189-5	-	A	1.090	-	-	-	9-50428-0	221607-5	413530-2	1-227079-3
	OBSOLETE	RG-71/U & 71A/U	220217-2	220189-2	220187-2	B	1.090	-	-	227423-1	1-329460-1	221607-8	413530-2	1-227079-2
		RG-59/U,59A/U & 59B/U	220217-2	220189-2	220187-2	A	1.090	-	-	227423-1	9-50428-0	221607-8	413530-2	1-227079-1
		RG-62/U,62A/U & 62B/U	220217-2	220189-2	220187-2	B	1.090	-	-	227423-1	9-50428-0	221607-8	413530-2	1-227079-1
SUPERSEDED BY 227079-6		RG-55/U,55A/U,55B/U, & 223/U	220217-1	220189-1	220187-1	A	1.280	-	-	-	9-225382-0	221607-7	227074-1	1-227079-0
		RG-58/U,58A/U,58B/U,58C/U & 141/U	220217-1	220189-1	220187-1	A	1.090	-	-	-	9-50427-1	221607-7	227074-1	227079-9
		RG-59/U,59A/U & 59B/U	220217-2	220189-2	220187-2	A	1.090	-	-	-	9-50427-1	221607-7	227074-1	227079-9
		RG-62/U,62A/U & 62B/U	220217-2	220189-2	220187-2	B	1.090	-	-	227423-1	9-50428-0	221607-6	227080-1	227079-7
		RG-55/U,55A/U,55B/U, & 223/U	220217-1	220189-1	220187-1	A	1.280	-	-	-	9-225382-0	221607-5	227074-1	227079-6
		RG-58/U,58A/U,58B/U,58C/U & 141/U	220217-1	220189-1	220187-1	A	1.090	-	-	-	9-50427-1	221607-5	227074-1	227079-5
	OBSOLETE	RG-71/U & 71A/U	220217-2	220189-2	220187-2	B	1.090	-	-	227423-1	1-329460-1	9-221607-1	413530-2	227079-4
	OBSOLETE	RG-59/U,59A/U & 59B/U	220217-2	220189-2	220187-2	A	1.090	-	-	227423-1	9-50428-0	9-221607-1	413530-2	227079-3
	OBSOLETE	RG-62/U,62A/U & 62B/U	220217-2	220189-2	220187-2	B	1.090	-	-	227423-1	9-50428-0	9-221607-1	413530-2	227079-3
SUPERSEDED BY 227079-6		RG-55/U,55A/U,55B/U, & 223/U	220217-1	220189-1	220187-1	A	1.280	-	-	-	9-225382-0	9-221607-0	227074-1	227079-2
	OBSOLETE	RG-58/U,58A/U,58B/U,58C/U & 141/U	220217-1	220189-1	220187-1	A	1.090	-	-	-	9-50427-1	9-221607-0	227074-1	227079-1

		CABLE SIZE	DIE SET	DIE SET	CRIMP TOOL	VIEW	A	TUBING, HEAT SHRINK QTY=1	TUBING QTY=1	SPACER QTY=1	FERRULE QTY=1	CONTACT, PLUG QTY=1	PLUG ASSY, COML BNC QTY=1	PART NUMBER
--	--	------------	---------	---------	------------	------	---	---------------------------	--------------	--------------	---------------	---------------------	---------------------------	-------------

THIS DRAWING IS A CONTROLLED DOCUMENT.

DIMENSIONS: INCHES	TOLERANCES UNLESS OTHERWISE SPECIFIED:	DIN 10-9-89	APVD
0 PLC ± -	1 PLC ± -	D. LAMAN	10/27/89
2 PLC ± -	3 PLC ± .016	R. E. RUTH	
4 PLC ± -	ANGLES ± -	J. GIBBS	11/06/89

MATERIAL: - FINISH: -

WEIGHT: -

CUSTOMER DRAWING

SCALE: 4:1 SHEET 1 OF 2 REV AV3

TE Connectivity

PLUG, COMMERCIAL, BNC

108-12044

00779-227079

OBSOLETE	BELDON 9907	220217-1	220189-1	220187-1	A	1.090	-	-	-	9-50427-1	1-221607-6	227074-1	9-227079-4	
△	OBSOLETE	HI-TEMP RG62A/U, TIMES PL62, BERK-TEK BTDC 62 & BELDEN 89269 BELDEN 88241, BERK-TEK BTDC 59	220217-2	220189-2	220187-2	B B	1.312	-	-	227423-1	9-228784-0	221607-6	413530-2	9-227079-3
OBSOLETE	BELDEN 8218, AMPHENOL 21-597 AND BELDEN NH SPECIAL	-	58330-1	69477-4	A	1.090	-	-	-	9-329461-0	2-221607-2	413530-5	9-227079-2	
OBSOLETE	BELDEN YR40862	220217-1	220189-1	220187-1	A	1.090	-	-	-	9-50427-1	2-221607-8	227074-1	9-227079-1	
OBSOLETE	C&M 17189	220217-3	220210-1	220009-5	A	1.090	-	-	414932-2	9-328666-0	227322-8	227074-2	9-227079-0	
OBSOLETE	BELDEN 9907 AND RG-141A/U	220217-1	220189-1	220187-1	A	1.090	-	-	-	9-50427-1	1-221607-6	227074-1	8-227079-9	
OBSOLETE	CUSTOM CABLE: C/C=Ø.014, DIELECTRIC=Ø.062, JACKET=Ø.103	-	220210-1	-	A	1.090	-	-	227194-1	9-328666-0	1-227322-4	413530-6	8-227079-8	
OBSOLETE	BELDEN 9266	-	220189-5	-	A	1.090	-	-	-	9-50428-0	221607-5	413530-2	8-227079-7	
OBSOLETE	BELDEN 89907	-	318452-2	-	A	1.312	-	-	-	9-228783-0	1-221607-6	227074-1	8-227079-6	
OBSOLETE	RG-59/U, 59A/U, 59B/U RG-62/U, 62A/U, 62B/U	220217-2	220189-2	220187-2	A B	1.090	-	-	227423-1	9-50428-0	9-221607-1	413530-2	8-227079-5	
OBSOLETE	RG-58/U, 58A/U, 58B/U, 58C/U AND 141/U	220217-1	220189-1	220187-1	A	1.090	-	-	-	9-50427-1	221607-5	227074-1	8-227079-4	
OBSOLETE	BELDEN 9555	-	220189-2	220187-2	A	1.090	-	-	-	9-50428-0	221607-6	413530-2	8-227079-3	
△	RG-188 DOUBLE BRAID AND RG-316 DOUBLE BRAID	-	58330-1	69477-4	A	-	-	-	227194-1	9-329049-0	227322-8	413530-6	8-227079-2	
△	RG-59/U, 59A/U AND 59B/U	220217-2	220189-2	220187-2	A	1.090	-	-	-	9-50428-0	221607-6	413530-2	8-227079-1	
△	RG-62/U, 62A/U AND 62B/U	220217-2	220189-2	220187-2	B	1.090	-	-	227423-1	9-50428-0	221607-6	413530-2	8-227079-1	
△	RG-58/U, 58A/U, 58B/U, 58C/U, AND 141/U	220217-1	220189-1	220187-1	A	1.090	-	-	-	9-50427-1	221607-5	227074-1	8-227079-0	
OBSOLETE	GORE CXN1426A	-	58330-2	-	A	1.090	-	-	-	9-329049-0	1-221607-6	413530-5	7-227079-9	
OBSOLETE	SPECIAL CUSTOMER CABLE-110 OHM LOW NOISE	-	58086-1	-	A	1.090	-	-	-	9-50427-0	2-221607-6	413530-3	7-227079-7	
OBSOLETE	BELDEN 88241, TIMES PL62, BERK-TEK BTDC 59 AND BTDC 62	220217-2	220189-2	220187-2	A	1.312	-	-	227423-1	9-228784-0	221607-8	413530-2	7-227079-6	
OBSOLETE	BELDEN 88240 AND BERK-TEK BTDC-58	220217-1	220189-1	220187-1	A	1.312	-	-	-	9-228783-0	221607-5	227074-1	7-227079-5	
OBSOLETE	RG-62/U, 62A/U AND 62B/U	220217-2	220189-2	220187-2	B	-	-	-	227423-1	9-50428-0	9-221607-1	413530-2	7-227079-4	
OBSOLETE	RG-59/U, 59A/U AND 59B/U	220217-1	220189-1	220187-1	A	1.090	-	-	-	9-50427-1	9-221607-0	227074-1	7-227079-3	
OBSOLETE	RG-58/U, 58A/U, 58B/U, 58C/U AND 141/U	220217-1	220189-1	220187-1	A	1.090	-	-	-	9-50427-1	9-221607-0	227074-1	7-227079-3	
△	RG-62/U, 62A/U AND 62B/U	220217-2	220189-2	220187-2	B	-	-	-	227423-1	9-50428-0	221607-8	413530-2	7-227079-2	
△	RG-59/U, 59A/U AND 59B/U	220217-1	220189-1	220187-1	A	1.090	-	-	-	9-50427-1	221607-7	227074-1	7-227079-1	
OBSOLETE	RG-58/U, 58A/U, 58B/U, 58C/U AND 141/U	220217-1	220189-1	220187-1	A	1.090	-	-	-	9-50427-1	221607-7	227074-1	7-227079-1	
OBSOLETE	BELDEN 9275	-	220189-5	-	A	1.090	-	-	-	9-50428-1	9-221607-0	413530-2	7-227079-0	
OBSOLETE	C & M COAXIAL Q-81-13059	-	58330-1	69477-4	A	1.090	-	-	227194-1	9-329461-0	227322-8	413530-6	6-227079-9	
SUPERSEDED BY 6-5227079-8	BELDEN 89907	-	318452-2	-	A	1.312	-	-	-	9-228783-0	1-221607-6	227074-1	6-227079-8	
SUPERSEDED BY 6-5227079-5	BELDEN 9907 AND RG-141A/U	220217-1	220189-1	220187-1	A	1.090	-	-	-	9-50427-1	1-221607-6	227074-1	6-227079-7	
OBSOLETE	BELDEN 9290	-	-	220043-1	A	1.490	-	-	-	9-51713-3	1-221607-6	413530-3	6-227079-5	
OBSOLETE	BELDEN 9907	220217-1	220189-1	220187-1	A	1.090	-	-	-	9-50427-1	1-221607-6	227074-1	6-227079-4	
OBSOLETE	RG-180/U, 180A/U, 180B/U AND 195/U	-	58330-1	69477-4	A	1.090	-	-	-	9-329461-0	2-221607-4	413530-5	6-227079-3	
OBSOLETE	RG-142/U, 142A/U, AND 142B/U	220217-1	220189-1	220187-1	A	1.280	-	-	-	9-225382-0	1-221607-7	227074-1	6-227079-2	
SUPERSEDED BY 6-5227079-1	RG-142/U, 142A/U, AND 142B/U	220217-1	220189-1	220187-1	A	1.280	-	-	-	9-225382-0	1-221607-6	227074-1	6-227079-1	
OBSOLETE	RG-142/U, 142A/U, AND 142B/U	220217-1	220189-1	220187-1	A	1.280	-	-	-	9-225382-0	1-221607-8	227074-1	6-227079-0	
OBSOLETE	RG-174/U (SPECIAL APPLICATION)	-	-	-	A	1.090	-	-	227194-1	9-50427-1	227322-8	413530-6	5-227079-9	
OBSOLETE	BELDEN 8281	-	-	220043-1	A	1.250	-	-	-	9-50427-2	221607-5	413530-3	5-227079-8	
SUPERSEDED BY 1-227079-1	RG-59U, 59A/U AND 59B/U	220217-2	220189-2	220187-2	A	1.090	-	-	-	9-50428-0	221607-8	413530-2	5-227079-7	
OBSOLETE	C & M COAXIAL 6P267B33TC20PC055520	-	-	-	A	1.090	-	-	227194-1	9-329049-1	9-227322-0	413530-6	5-227079-6	
OBSOLETE	RC-174/U AND 188/U TYPE (SPECIAL)	-	58330-1	69477-4	-	-	-	-	227194-1	-	227322-8	413530-6	5-227079-5	
OBSOLETE	BELDEN 8281	220088-1	220189-6	220043-1	A	1.250	-	-	-	9-50427-2	221607-7	413530-3	5-227079-4	
SUPERSEDED	HI TEMP RG-59/U, TIMES PL59 AND PLF59	-	220189-5	-	A	1.312	-	-	-	9-228784-0	221607-5	413530-2	5-227079-3	
OBSOLETE	HI TEMP RG-59/U, TIMES PL59 AND PLF59	-	220189-5	-	A	1.312	-	-	-	9-228784-0	221607-7	413530-2	5-227079-2	
OBSOLETE	HI TEMP RG-59/U, TIMES PL59 AND PLF59	-	220189-5	-	A	1.312	-	-	-	9-228784-0	9-221607-0	413530-2	5-227079-1	
OBSOLETE	TIMES MI-2040 DBL BRAIDED RG-59/U	-	-	59894-1	A	1.187	-	-	-	9-50427-0	1-221607-4	413530-2	5-227079-0	
△	HI-TEMP RG62A/U, TIMES PL62, BERK-TEK BTDC 62 & BELDEN 89269	220217-2	220189-2	220187-2	B	1.312	-	-	227423-1	9-228784-0	221607-6	413530-2	4-227079-9	
△	BELDEN 88241, BERK-TEK BTDC 59	220217-2	220189-2	220187-2	A	1.312	-	-	227423-1	9-228784-0	221607-8	413530-2	4-227079-8	
△	HI TEMP RG-62A/U, TIMES PL62, BERK-TEK BTDC 62	220217-2	220189-2	220187-2	B	1.312	-	-	227423-1	9-228784-0	9-221607-1	413530-2	4-227079-7	
△	BELDEN 88241, BERK-TEK BTDC 59	220217-2	220189-2	220187-2	A	1.312	-	-	227423-1	9-228784-0	9-221607-1	413530-2	4-227079-7	
OBSOLETE	HI TEMP RG-62A/U, TIMES PL62, BERK-TEK BTDC 62	220217-2	220189-2	220187-2	B	1.312	-	-	227423-1	9-228784-0	9-221607-1	413530-2	4-227079-7	
OBSOLETE	BELDEN 88241, BERK-TEK BTDC 59	220217-2	220189-2	220187-2	A	1.312	-	-	227423-1	9-228784-0	9-221607-1	413530-2	4-227079-7	
OBSOLETE	BELDEN 88240 AND BERK-TEK BTDC-58	220217-1	318452-2	-	A	1.312	-	-	-	9-228783-0	221607-5	227074-1	4-227079-3	
OBSOLETE	BELDEN 88240 AND BERK-TEK BTDC-58	220217-1	220189-1	220187-1	A	1.312	-	-	-	9-228783-0	221607-7	227074-1	4-227079-2	
SUPERSEDED BY 4-227079-3	BELDEN 88240 AND BERK-TEK BTDC-58	220217-1	220189-1	220187-1	A	1.312	-	-	-	9-228783-0	9-221607-0	227074-1	4-227079-1	

CABLE SIZE	DIE SET	DIE SET	CRIMP TOOL	VIEW	A	TUBING HEAT SHRINK QTY=1	TUBING QTY=1	SPACER QTY=1	FERRULE QTY=1	CONTACT, PLUG QTY=1	PLUG ASSY, COML BNC QTY=1	PART NUMBER
------------	---------	---------	------------	------	---	--------------------------	--------------	--------------	---------------	---------------------	---------------------------	-------------

THIS DRAWING IS A CONTROLLED DOCUMENT.

DIN D. LAMAN 10-9-89
 CHK R. E. RUTH 10/27/89
 APVO J. GIBBS 11/06/89

TE Connectivity

PLUG, COMMERCIAL, BNC

SIZE: A1 CASE CODE: 00779 DRAWING NO: 227079
 WEIGHT: - RESTRICTED TO: -
 CUSTOMER DRAWING SCALE: 4:1 SHEET 2 OF 2 REV: AV3