



Chipsmall Limited consists of a professional team with an average of over 10 year of expertise in the distribution of electronic components. Based in Hongkong, we have already established firm and mutual-benefit business relationships with customers from,Europe,America and south Asia,supplying obsolete and hard-to-find components to meet their specific needs.

With the principle of “Quality Parts,Customers Priority,Honest Operation,and Considerate Service”,our business mainly focus on the distribution of electronic components. Line cards we deal with include Microchip,ALPS,ROHM,Xilinx,Pulse,ON,Everlight and Freescale. Main products comprise IC,Modules,Potentiometer,IC Socket,Relay,Connector.Our parts cover such applications as commercial,industrial, and automotives areas.

We are looking forward to setting up business relationship with you and hope to provide you with the best service and solution. Let us make a better world for our industry!



Contact us

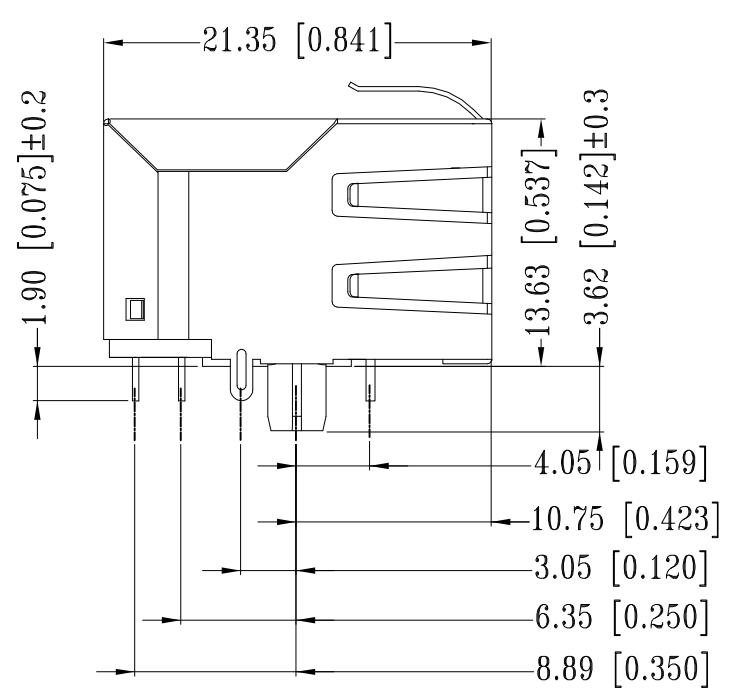
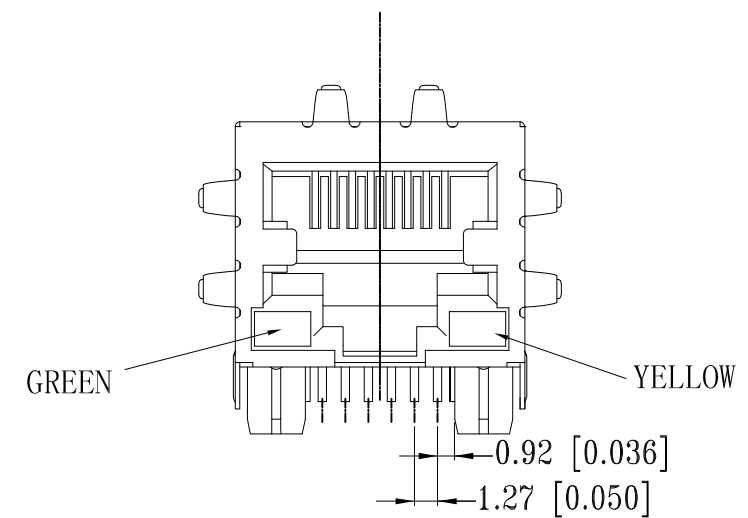
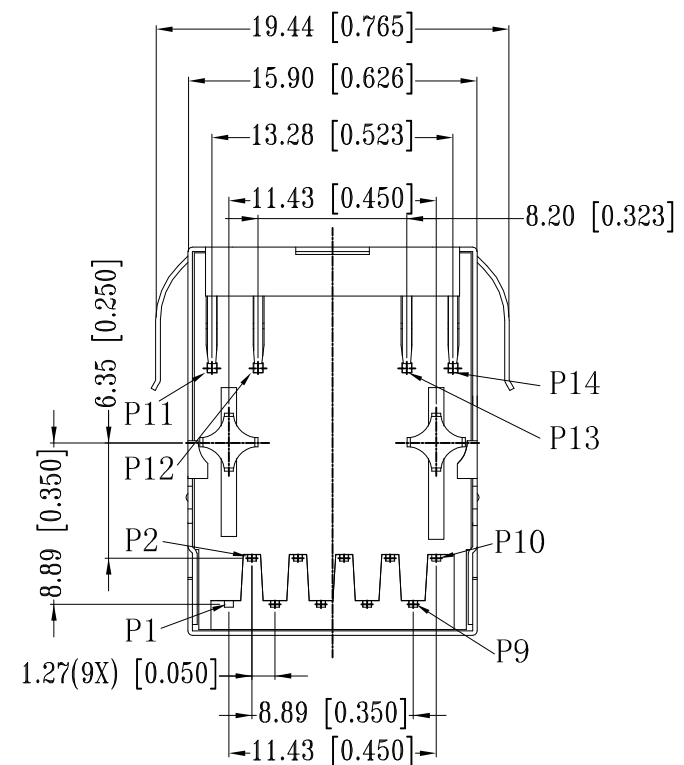
Tel: +86-755-8981 8866 Fax: +86-755-8427 6832

Email & Skype: info@chipsmall.com Web: www.chipsmall.com

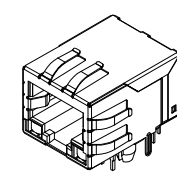
Address: A1208, Overseas Decoration Building, #122 Zhenhua RD., Futian, Shenzhen, China



REVISIONS				
P	LTR	DESCRIPTION	DATE	APVD
	A1	NEW DRAWING	28DEC2016	GCM/MSZ



- 1 CONNECTOR MATERIAL:
 HOUSING: LCP BLACK UL94 V-0
 INSERT: LCP BLACK UL94 V-0
 SHIELD: BRASS
 SHIELD PLATING: NICKEL
 CONTACT: COPPER ALLOY
 CONTACT PLATING: SELECTIVE GOLD, MIN. 0.76µm (30µinch) IN CONTACT AREA
 OVER MIN. 1.27µm (50µinch) NICKEL
 SOLDER PIN PLATING: 3.05µm (120µinch) TIN OVER 1.02µm (40µinch) NICKEL OVER ALL
 SHIELDING PIN PLATING: NICKEL
- 2 PIN NOT ELECTRICALLY CONNECTED MAYBE OMITTED SEE ELECTRICAL CIRCUIT DIAGRAM FOR OMITTED PINS
- 3 RJ45 CAVITIES CONFORM TO FCC RULES AND REGULATION PART 68
- 4 THE PART IS RECOMMENDED FOR REFLOW SOLDERING PROCESS PEAK SOLDERING: TEMPERATURE MAX. +260° C, MAX. 10s
- 5 OPERATING TEMPERATURE: T = -40° C TO +85° C
- 6 STORAGE TEMPERATURE: T = -40° C TO +85° C
- 7 UNLESS OTHERWISE SPECIFIED, SEE TABLE FOR ALL DIMENSIONS TOLERANCES
- 8 JACK CONFIGURATION: 1 x 1
 TAB DIRECTION: DOWN
- 9 PACKAGING: TRAY ACCORDING TO PACKAGING SPECIFICATION 107-18116



1:1

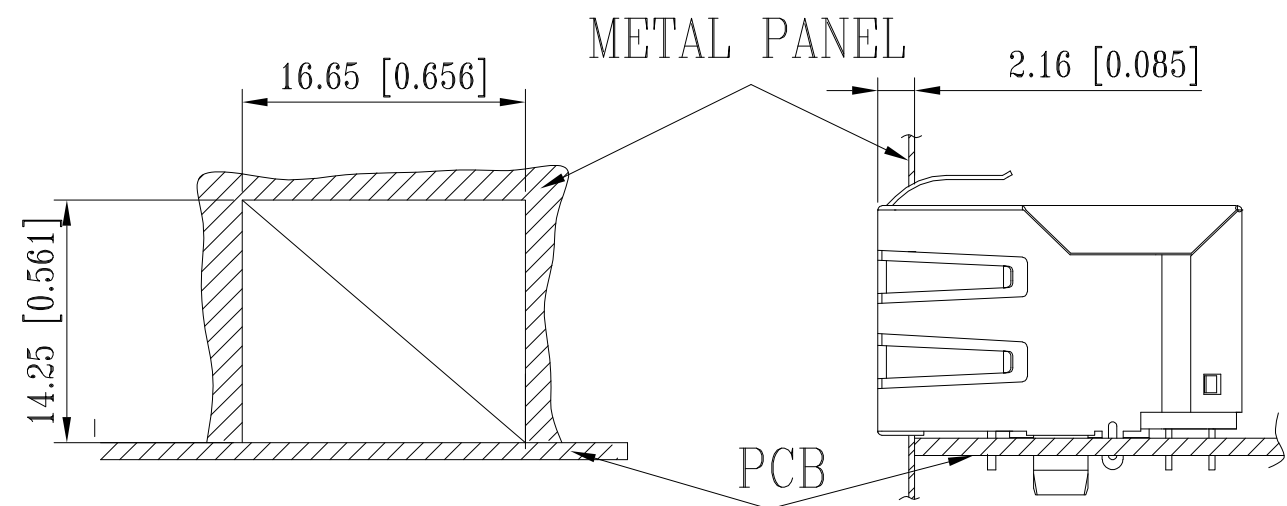
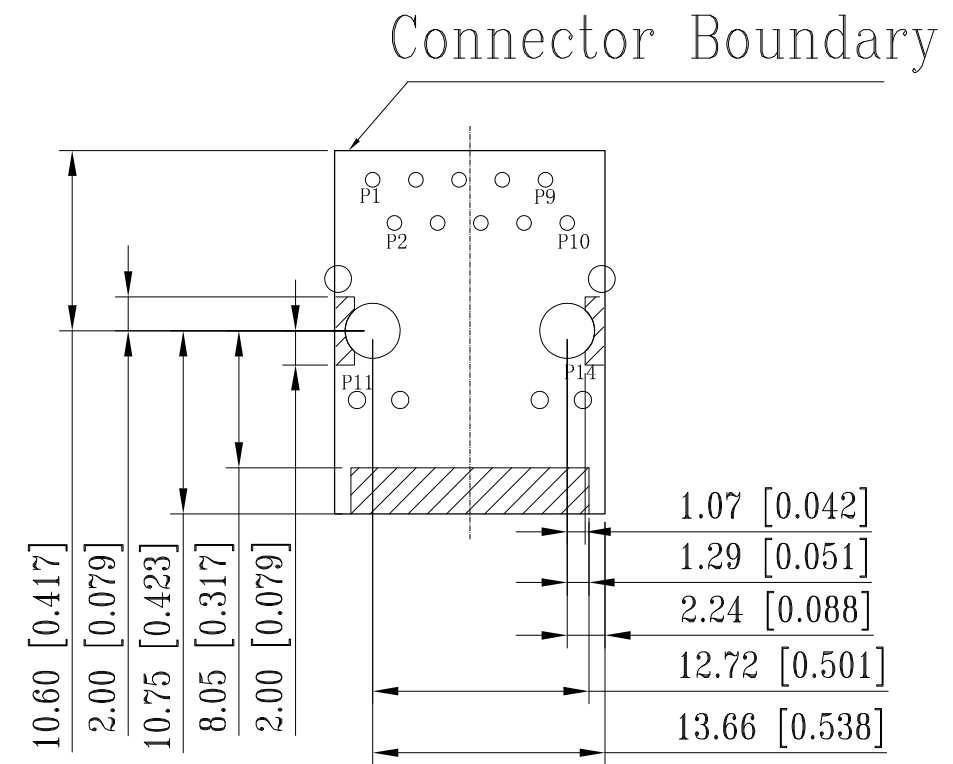
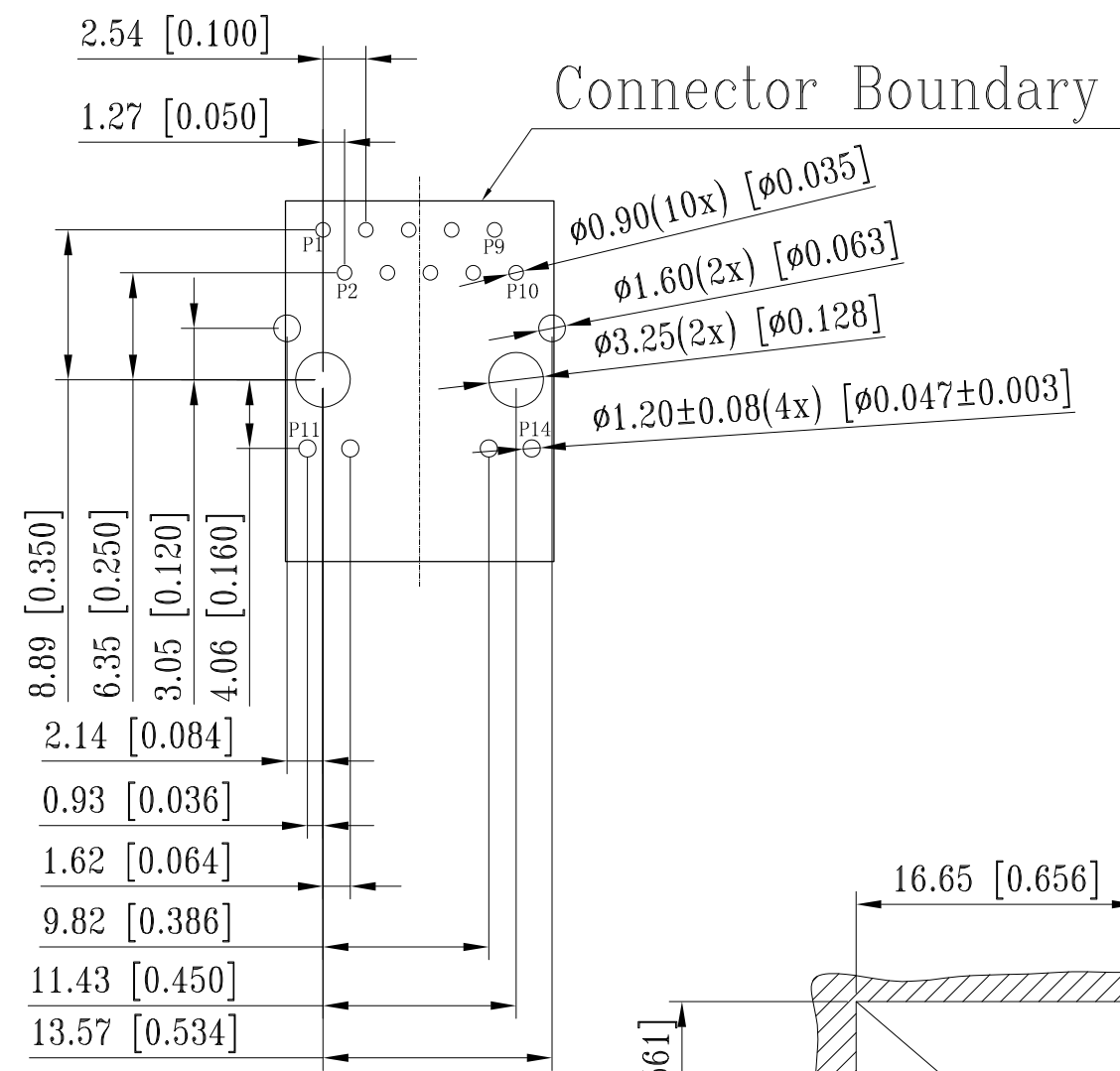
TABLE OF TOLERANCE (mm)	
RANGE	TOLERANCE
0-10	±0.15
>10-40	±0.25
>40-70	±0.30
>70	±0.40

THIS DRAWING IS A CONTROLLED DOCUMENT.		DWN GANESH C M 28OCT2016	STE TE Connectivity	
DIMENSIONS: mm [INCHES]		CHK FRANZ MUELLER 27AUG2016		
TOLERANCES UNLESS OTHERWISE SPECIFIED:		APVD MARTIN SZELAG 28OCT2016	NAME RJ45 JACK INT.MAG. 1Gb LED 1x1	
0 PLC ± -		PRODUCT SPEC 108-94552	-	
1 PLC ± -		APPLICATION SPEC 114-94447	-	
2 PLC ± -		SIZE A3	CAGE CODE 00779	DRAWING NO C-6-2301994-0
3 PLC ± -		WEIGHT	RESTRICTED TO -	
4 PLC ± -		CUSTOMER DRAWING		
ANGLES ± -		SCALE 3:1		
FINISH		SHEET 1 OF 3		
1		REV A1		




THIS DRAWING IS UNPUBLISHED. RELEASED FOR PUBLICATION - , 2017.
 © COPYRIGHT 2013 By TE CONNECTIVITY ALL RIGHTS RESERVED.

REVISIONS				
P	LTR	DESCRIPTION	DATE	APVD
-	-	SEE SHEET 1	-	-

SUGGESTED PCB LAYOUT



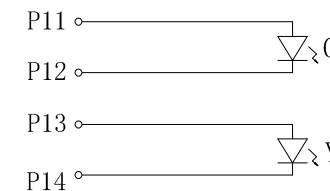
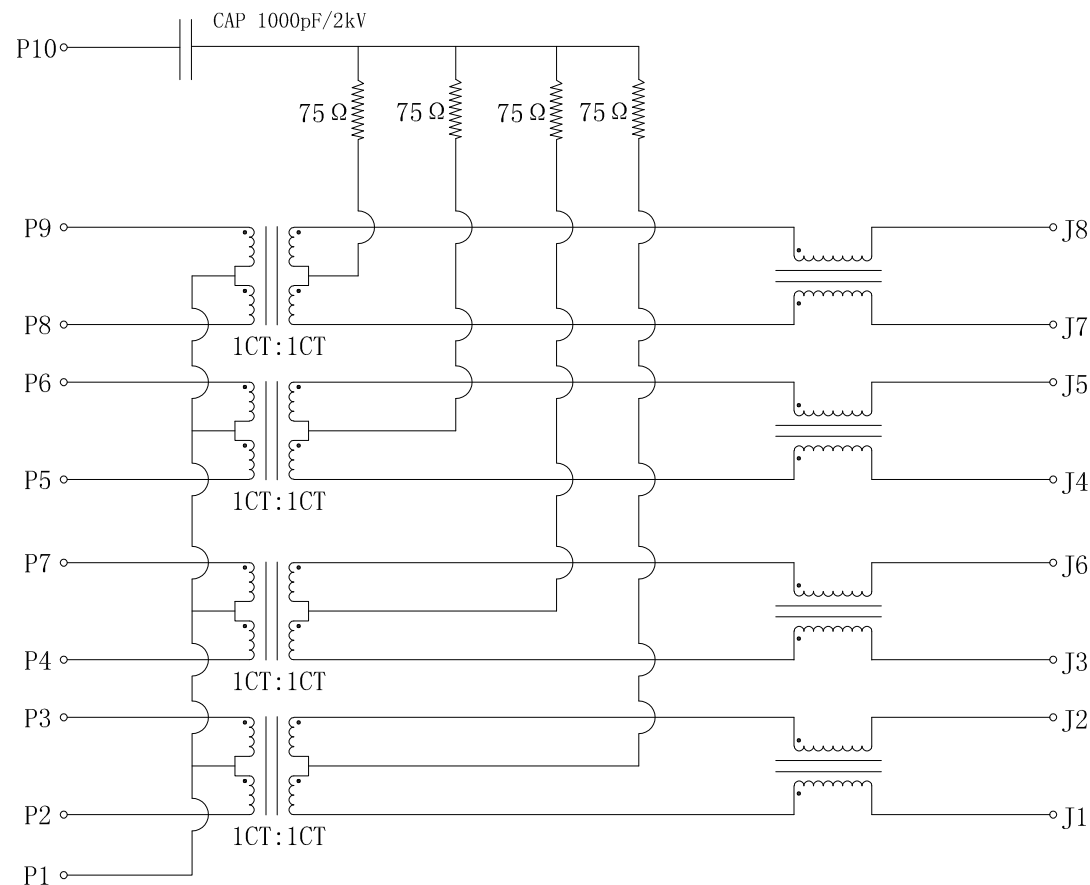
UNIT: mm / inch
 TOLERANCES: $\pm 0.10 / 0.004$

THIS DRAWING IS A CONTROLLED DOCUMENT.		DWN GANESH C M 27AUG2016	 TE Connectivity				
DIMENSIONS: mm [INCHES]		CHK FRANZ MUELLER 27AUG2016					
TOLERANCES UNLESS OTHERWISE SPECIFIED:		APVD MARTIN SZELAG 27AUG2016	NAME RJ45 JACK INT.MAG. 1Gb LED 1x1				
0 PLC $\pm -$ 1 PLC $\pm -$ 2 PLC $\pm -$ 3 PLC $\pm -$ 4 PLC $\pm -$ ANGLES $\pm -$		PRODUCT SPEC 108-94552	-				
 MATERIAL 1		APPLICATION SPEC 114-94447	SIZE A3	CAGE CODE 00779	DRAWING NO C-6-2301994-0	RESTRICTED TO -	
 FINISH 1		WEIGHT	CUSTOMER DRAWING		SCALE 3:1	SHEET 2 OF 3	REV A1

REVISIONS

P	LTR	DESCRIPTION	DATE	DWN	APVD
-	-	SEE SHEET 1	-	-	-

ELECTRICAL CIRCUIT DIAGRAM



Pin	Green	Yellow
P11	+	P13 +
P12	-	P14 -

- 1.0 Turn Ratio @100kHz: (P2~P3):(J1~J2) = 1:1±2%
(P4~P7):(J3~J6) = 1:1±2%
(P5~P6):(J4~J5) = 1:1±2%
(P8~P9):(J7~J8) = 1:1±2%
- 2.0 Primary Inductance: 350µH MIN. @100kHz, 0.1V 8mA DC BIAS
- 3.0 DC Resistance: 1.2 OHMS MAX.
- 4.0 Insertion Loss: 1-100MHz -1.0dB MAX.
100-125MHz -1.2dB MAX.
- 5.0 Return Loss: 1-40MHz -16dB MIN.
40-60MHz -12dB MIN.
60-80MHz -10dB MIN.
80-100MHz -8dB MIN.
- 6.0 CROSS TALK: 1-100MHz -30dB MIN.
- 7.0 COMMON TO COMMON MODE ATTENUATION: 1-100MHz -30dB MIN.
- 8.0 Isolation: PHY Side to Line Side : 2250VDC

6-2301994-0
WWYY-xxxx

TE

FCC

CONTROL CODE

DATE CODE
"0213"

YY-YEAR
WW-WEEK

THIS DRAWING IS A CONTROLLED DOCUMENT.		DWN GANESH C M 27AUG2016	TE TE Connectivity	
DIMENSIONS: mm [INCHES]		CHK FRANZ MUELLER 27AUG2016		
TOLERANCES UNLESS OTHERWISE SPECIFIED:		APVD MARTIN SZELAG 27AUG2016	NAME RJ45 JACK INT.MAG. 1Gb LED 1x1	
0 PLC ± - 1 PLC ± - 2 PLC ± - 3 PLC ± - 4 PLC ± - ANGLES ± -		PRODUCT SPEC 108-94552	-	
MATERIAL 1		FINISH 1	APPLICATION SPEC 114-94447	RESTRICTED TO -
		WEIGHT	SIZE A3	CAGE CODE 00779
		CUSTOMER DRAWING	DRAWING NO C-6-2301994-0	SCALE 3:1
			SHEET 3 OF 3	REV A1