



Chipsmall Limited consists of a professional team with an average of over 10 year of expertise in the distribution of electronic components. Based in Hongkong, we have already established firm and mutual-benefit business relationships with customers from,Europe,America and south Asia,supplying obsolete and hard-to-find components to meet their specific needs.

With the principle of “Quality Parts,Customers Priority,Honest Operation,and Considerate Service”,our business mainly focus on the distribution of electronic components. Line cards we deal with include Microchip,ALPS,ROHM,Xilinx,Pulse,ON,Everlight and Freescale. Main products comprise IC,Modules,Potentiometer,IC Socket,Relay,Connector.Our parts cover such applications as commercial,industrial, and automotives areas.

We are looking forward to setting up business relationship with you and hope to provide you with the best service and solution. Let us make a better world for our industry!



## Contact us

Tel: +86-755-8981 8866 Fax: +86-755-8427 6832

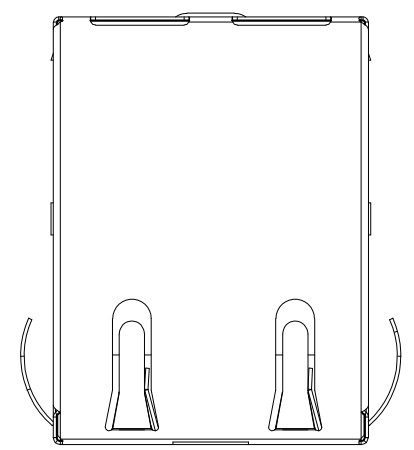
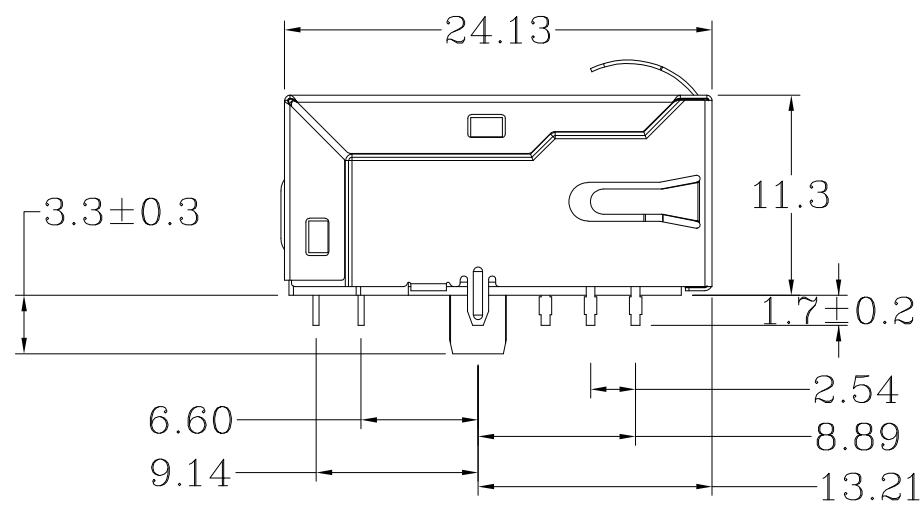
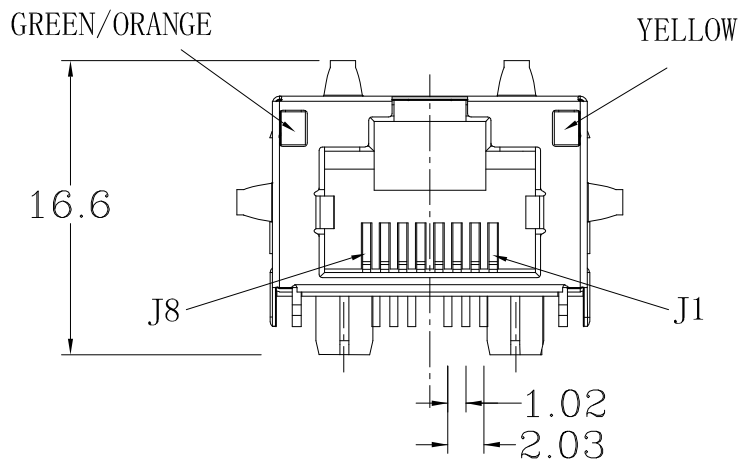
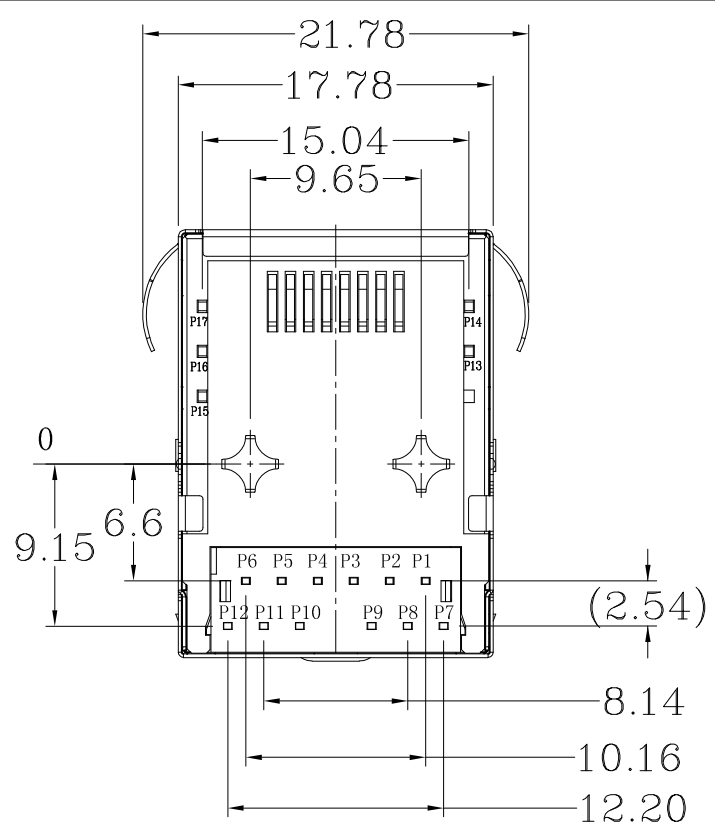
Email & Skype: info@chipsmall.com Web: www.chipsmall.com

Address: A1208, Overseas Decoration Building, #122 Zhenhua RD., Futian, Shenzhen, China



THIS DRAWING IS UNPUBLISHED  
 RELEASED FOR PUBLICATION  
 - ,2017.  
 © COPYRIGHT 2013 By TE CONNECTIVITY  
 ALL RIGHTS RESERVED.

REVISIONS					
P	LTR	DESCRIPTION	DATE	DWN	APVD
	A1	CHANGE PIN LENGTH	28DEC2016	GCM	MSZ



- ⚠ CONNECTOR MATERIAL:  
 HOUSING: LCP BLACK UL94 V-0  
 INSERT: LCP BLACK UL94 V-0  
 SHIELD: BRASS  
 SHIELD PLATING: NICKEL  
 CONTACT: COPPER ALLOY  
 CONTACT PLATING: SELECTIVE GOLD, MIN. 0.76 μm (30 μinch) IN  
 CONTACT AREA OVER MIN. 1.27μm (50μinch) NICKEL  
 SOLDER PIN PLATING: 3.05μm (120μinch) TIN OVER 1.02μm (40μinch)  
 NICKEL OVER ALL  
 SHIELDING PIN PLATING: NICKEL
- PIN NOT ELECTRICALLY CONNECTED MAYBE OMITTED SEE ELECTRICAL CIRCUIT DIAGRAM FOR OMITTED PINS
  - RJ45 CAVITIES CONFORM TO FCC RULES AND REGULATION PART 68
  - THE PART IS RECOMMENDED FOR REFLOW SOLDERING PROCESS PEAK SOLDERING: TEMPERATURE MAX. +260° C, MAX. 10s
  - OPERATING TEMPERATURE: T = -40° C TO +85° C
  - STORAGE TEMPERATURE: T = -40° C TO +85° C
- ⚠ UNLESS OTHERWISE SPECIFIED, SEE TABLE FOR ALL DIMENSIONS TOLERANCES
- JACK CONFIGURATION: 1 x 1 (LOW)
  - TAB DIRECTION: UP
  - PACKAGING: TRAY ACCORDING TO PACKAGING SPECIFICATION 107-18116

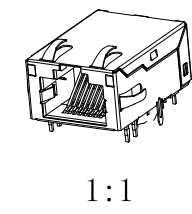


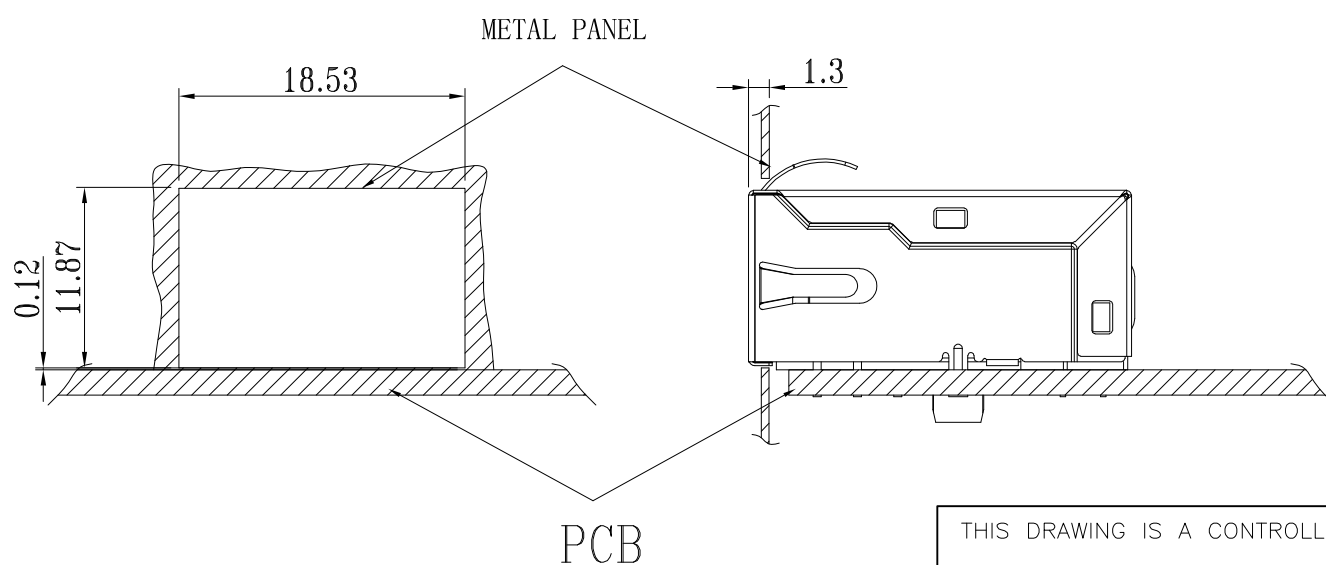
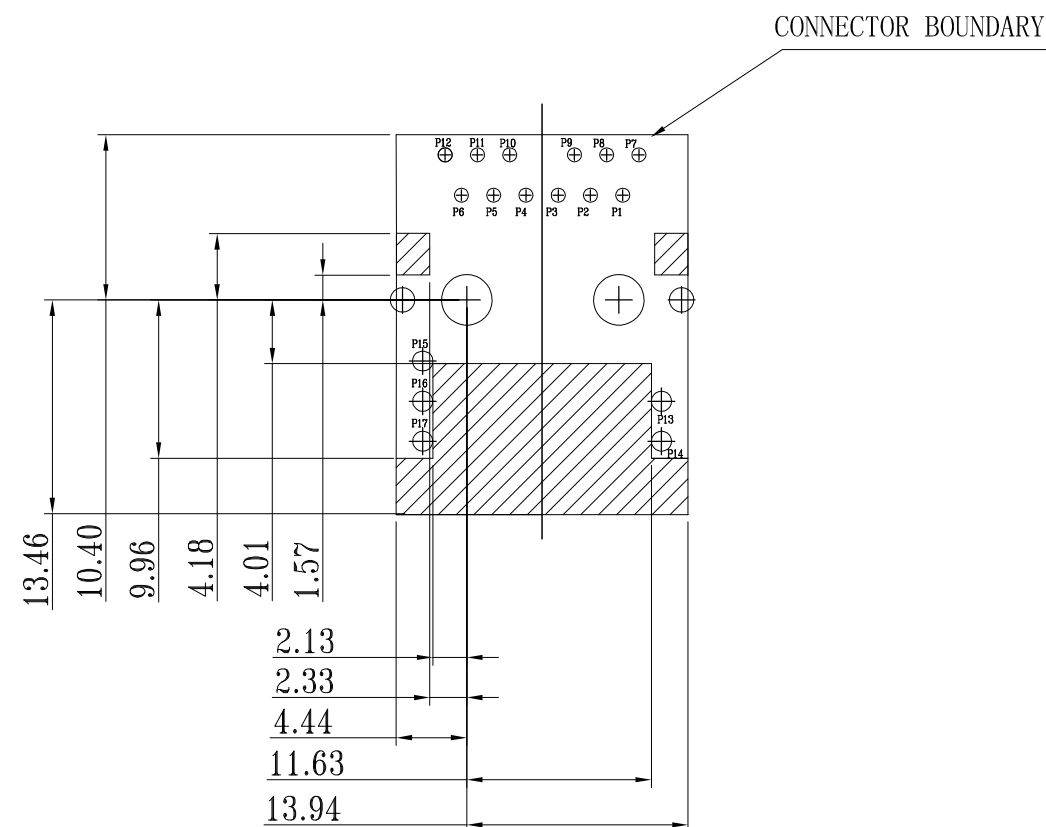
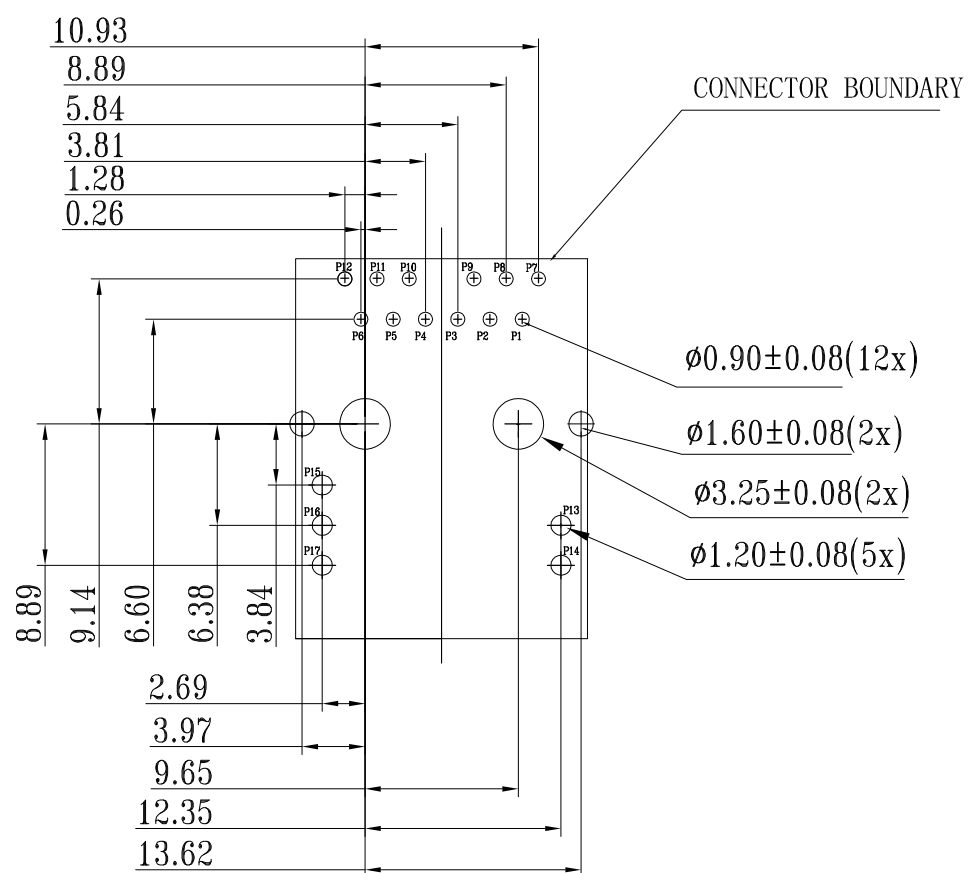
TABLE OF TOLERANCE (mm)	
RANGE	TOLERANCE
0-10	±0.15
>10-40	±0.25
>40-70	±0.30
>70	±0.40

THIS DRAWING IS A CONTROLLED DOCUMENT.		DWN GANESH C M 02AUG2016	TE Connectivity		
DIMENSIONS: mm		CHK FRANZ MUELLER 02AUG2016			
TOLERANCES UNLESS OTHERWISE SPECIFIED:		APVD MARTIN SZELAG 02AUG2016	NAME RJ45 JACK INT.MAG. 1Gb LED 1x1 INV. - low		
 0 PLC ± - 1 PLC ± - 2 PLC ± - 3 PLC ± - 4 PLC ± - ANGLES ± -		PRODUCT SPEC 108-94552	-		
MATERIAL		APPLICATION SPEC 114-94447	SIZE A3	CAGE CODE 00779	DRAWING NO C-6-2301994-1
FINISH		WEIGHT	RESTRICTED TO		
		CUSTOMER DRAWING		SCALE 3:1	SHEET 1 OF 3
				REV A1	

REVISIONS

P	LTR	DESCRIPTION	DATE	DWN	APVD
-	-	SEE SHEET 1	-	-	-

SUGGESTED PCB LAYOUT



UNIT: mm  
TOLERANCES: ±0.10

THIS DRAWING IS A CONTROLLED DOCUMENT.

DIMENSIONS: mm	TOLERANCES UNLESS OTHERWISE SPECIFIED:
	0 PLC ± -
	1 PLC ± -
	2 PLC ± -
	3 PLC ± -
	4 PLC ± -
	ANGLES ± -
MATERIAL	FINISH

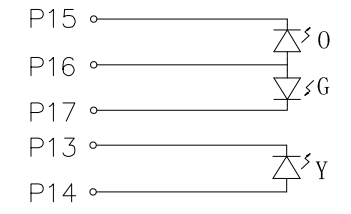
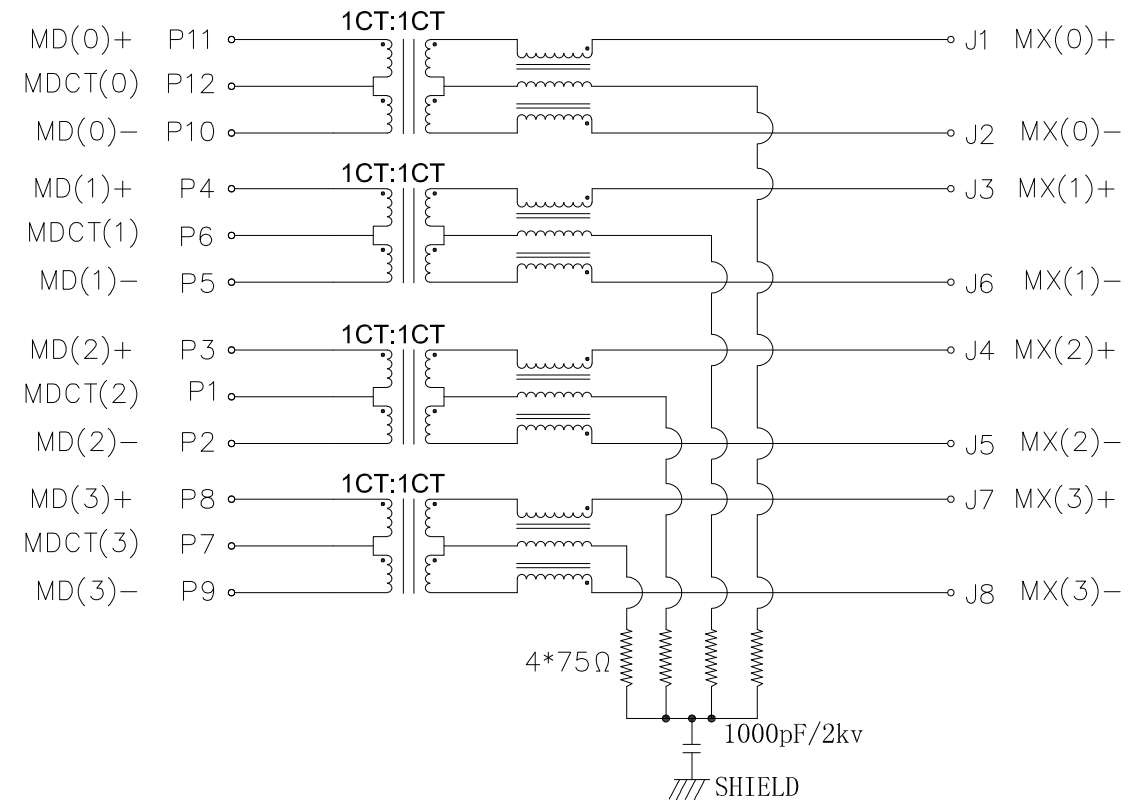
0 PLC ± -	
1 PLC ± -	
2 PLC ± -	
3 PLC ± -	
4 PLC ± -	± -
ANGLES ± -	
MATERIAL	FINISH

DWN	02AUG2016
CHK	02AUG2016
APVD	02AUG2016
PRODUCT SPEC	
APPLICATION SPEC	
WEIGHT	
CUSTOMER DRAWING	

		TE Connectivity	
NAME		RJ45 JACK INT.MAG. 1Gb LED 1x1 INV. - low	
SIZE	CAGE CODE	DRAWING NO	RESTRICTED TO
A3	00779	C-6-2301994-1	-
SCALE		SHEET	REV
3:1		2 OF 3	A1

REVISIONS					
P	LTR	DESCRIPTION	DATE	DWN	APVD
-	-	SEE SHEET 1	-	-	-

### ELECTRICAL CIRCUIT DIAGRAM



PIN	YELLOW	PIN	ORANGE	GREEN
P13	-	P15	-	
		P16	+	+
P14	+	P17		-

LED SPECIFICATION				
STANDARD LED	WAVELENGTH	FORWARD CURRENT	FORWARD V(max)	TYP
GREEN	565nm	20 mA	2.4V	2.2V
YELLOW	590nm	20 mA	2.5V	2.1V
ORANGE	605nm	20 mA	2.5V	2.0V

- 1 TURN RATIO @100kHz: (P11~P10) : (J1~J2) = 1:1±2%  
 (P4~P5) : (J3~J6) = 1:1±2%  
 (P3~P2) : (J4~J5) = 1:1±2%  
 (P8~P9) : (J7~J8) = 1:1±2%
- 2 PRIMARY INDUCTANCE: 350μH MIN. @100kHz, 0.1V 8mA DC BIAS
- 3 DC RESISTANCE: 1.2 OHM MAX.
- 4 INSERTION LOSS: 1-100MHz -1.0dB MAX.  
 100-125MHz -1.2dB MAX.
- 5 RETURN LOSS: 1-40MHz -16dB MIN.  
 40-60MHz -12dB MIN.  
 60-80MHz -10dB MIN.  
 80-100MHz -8dB MIN.
- 6 CROSS TALK: 1-100MHz -30dB MIN.
- 7 COMMON TO COMMON MODE ATTENUATION: 1-100MHz -30dB MIN.
- 8 ISOLATION: PHY SIDE TO LINE SIDE: 2250VDC

6-2301994-1  
 WWYY-xxxx

**TE**

FCC

CONTROL CODE  
 DATE CODE  
 "0213"  
 YY-YEAR  
 WW-WEEK

THIS DRAWING IS A CONTROLLED DOCUMENT.		DWN GANESH C M 02AUG2016	TE Connectivity		
DIMENSIONS: mm		CHK FRANZ MUELLER 02AUG2016			
TOLERANCES UNLESS OTHERWISE SPECIFIED:		APVD MARTIN SZELAG 02AUG2016	NAME RJ45 JACK INT.MAG. 1Gb LED 1x1 INV. - low		
0 PLC ± - 1 PLC ± - 2 PLC ± - 3 PLC ± - 4 PLC ± - ANGLES ± -		PRODUCT SPEC 108-94552	-		
MATERIAL		APPLICATION SPEC 114-94447	SIZE A3	CAGE CODE 00779	DRAWING NO G-6-2301994-1
FINISH		WEIGHT	RESTRICTED TO		
CUSTOMER DRAWING		SCALE 3:1		SHEET 3 OF 3	
		REV A1			