



Chipsmall Limited consists of a professional team with an average of over 10 year of expertise in the distribution of electronic components. Based in Hongkong, we have already established firm and mutual-benefit business relationships with customers from,Europe,America and south Asia,supplying obsolete and hard-to-find components to meet their specific needs.

With the principle of “Quality Parts,Customers Priority,Honest Operation,and Considerate Service”,our business mainly focus on the distribution of electronic components. Line cards we deal with include Microchip,ALPS,ROHM,Xilinx,Pulse,ON,Everlight and Freescale. Main products comprise IC,Modules,Potentiometer,IC Socket,Relay,Connector.Our parts cover such applications as commercial,industrial, and automotives areas.

We are looking forward to setting up business relationship with you and hope to provide you with the best service and solution. Let us make a better world for our industry!



Contact us

Tel: +86-755-8981 8866 Fax: +86-755-8427 6832

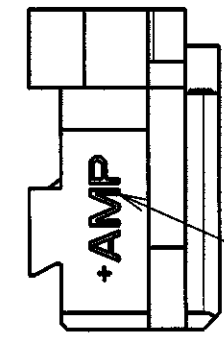
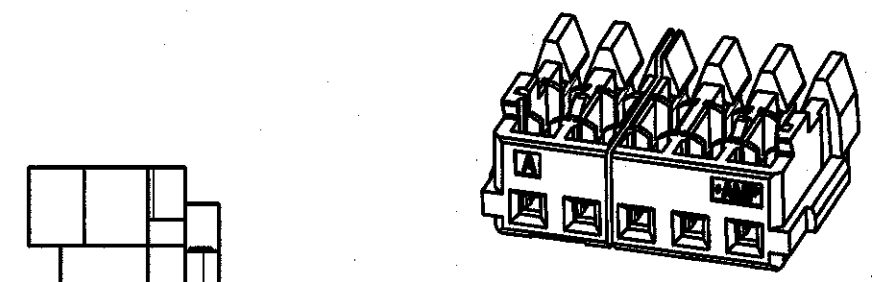
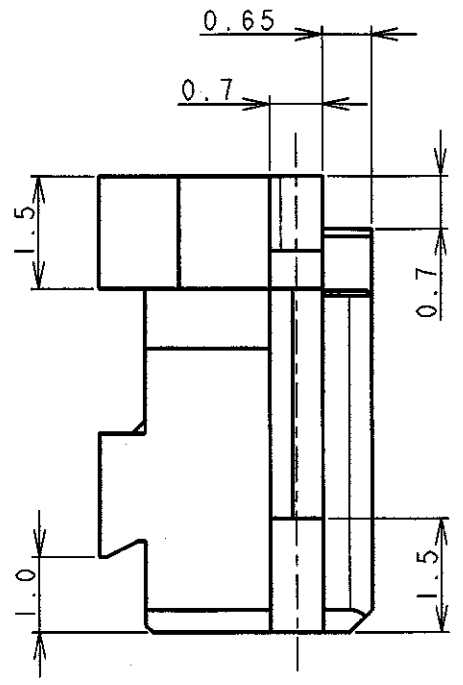
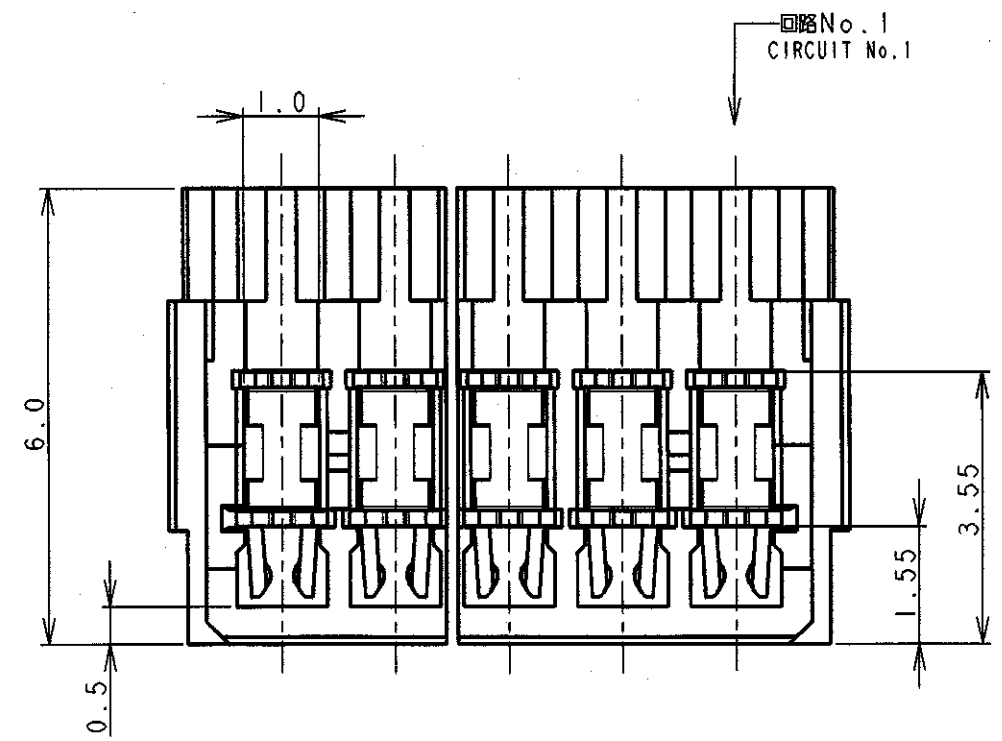
Email & Skype: info@chipsmall.com Web: www.chipsmall.com

Address: A1208, Overseas Decoration Building, #122 Zhenhua RD., Futian, Shenzhen, China



THIS DRAWING IS UNPUBLISHED. RELEASED FOR PUBLICATION
 (C) COPYRIGHT ALL RIGHTS RESERVED.

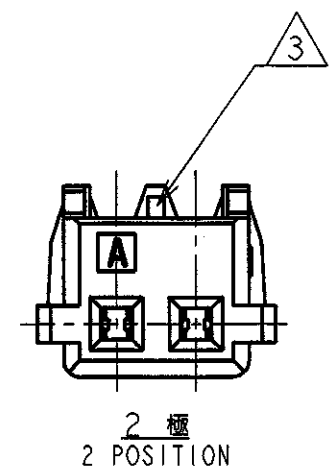
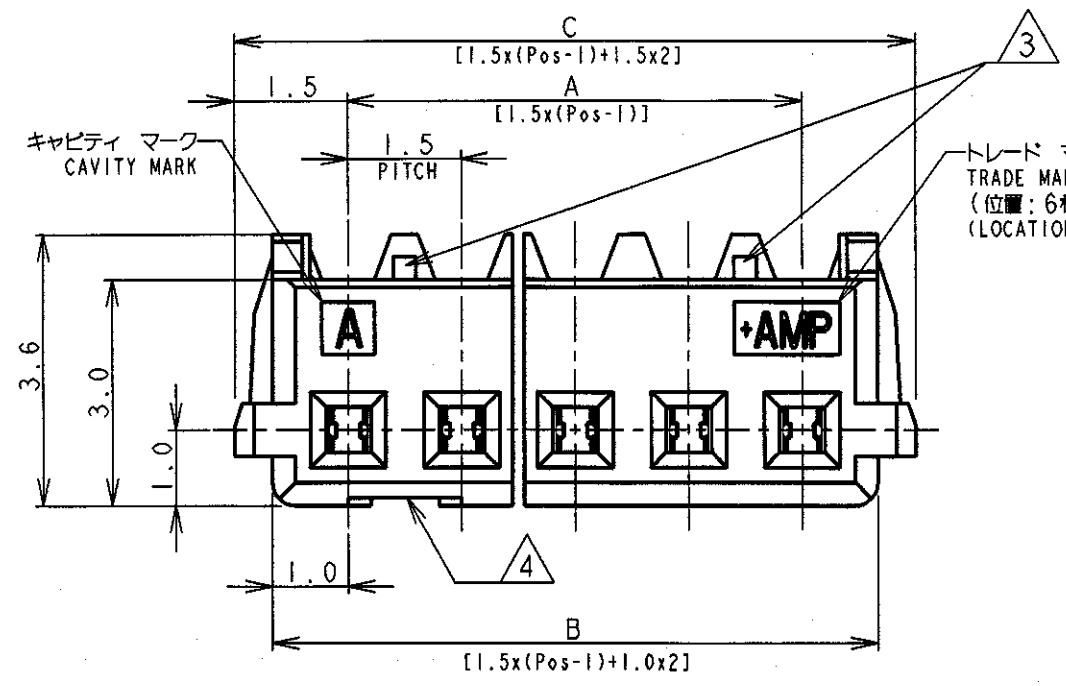
LOC		DIST		REVISIONS			
P	LTR	DESCRIPTION		DATE	DWN	APVD	
E1		REVISED PER ECO-11-005033		20APR11	RK	HMR	



トレード マーク
 TRADE MARK
 (位置: 2極~5極)
 (LOCATION FOR 2Pos.~5Pos.)

- 注記
1. 適用電線範囲: AWG #26
被覆外径: $\phi 0.8\text{mm} \sim \phi 0.95\text{mm}$
 2. 材料: ハウジング-ガラス入りナイロン UL94V-0, 色: グレー, 青
コンタクト-錫めっき済み, りん青銅
 3. ハウジング ロック:
2極は, 1箇所 3~20極は, 2箇所
 4. ゲート口は左付きと右付きが存在する。(2極品を除く)

- NOTES:
1. APPLICABLE WIRE SIZE: AWG #26
INSULATION DIA RANGE: $\phi 0.8\text{mm} \sim \phi 0.95\text{mm}$
 2. MATERIAL:
HOUSING: NYLON(G.F.) UL94V-0, COLOR: GRAY, BLUE
CONTACT: PRE-TIN PHOS-BRONZE
 3. HOUSING LOCK:
2 POSITION - SINGLE LOCK
3 TO 20 POSITIONS - DOUBLE LOCK
 4. CONNECTOR HAVE THE GATE LEFT SIDE AND RIGHT SIDE. (EXCEPT 2Pos.)



DIMENSIONS: 単位: 純 mm		TOLERANCES UNLESS OTHERWISE SPECIFIED		WIRE RANGE 適合電線断面積 0.08mm ² -0.14mm ²		INSULATION DIA 被覆外径 $\phi 0.8\text{mm} \sim \phi 0.95\text{mm}$	
MATERIAL 材料 SEE NOTE 2 注記2参照		FINISH 仕上 SEE NOTE 2 注記2参照		DWN 12. JUL '96 T. FURUYA		NAME 名称 AMP Mini Common Terminated (CT) Connector 1.5mm PITCH MT RECEPTACLE ASSEMBLY	
DWN 12. JUL '96 T. FURUYA		CHK 12. JUL '96 J. TANIGAWA		APVD S. Kubouchi 9/15 99		DRAWING NO 番号 A3 00779 C-353293	
PRODUCT SPEC 製品規格 108-5525		APPLICATION SPEC 取付適用規格 114-5223		WEIGHT 重量 SEE TABLE 表参照		SCALE 尺度 NON	
CUSTOMER DRAWING				SHEET 1 OF 2		REV E1	

LOC	DIST	REVISIONS			
P	LTR	DESCRIPTION	DATE	DWN	APVD
		SEE SHEET 1			

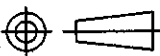
0.97	31.5	30.5	28.5	20	7-353293-0	2-353293-0
0.92	30.0	29.0	27.0	19	6-353293-9	1-353293-9
0.87	28.5	27.5	25.5	18	6-353293-8	1-353293-8
0.83	27.0	26.0	24.0	17	6-353293-7	1-353293-7
0.78	25.5	24.5	22.5	16	6-353293-6	1-353293-6
0.73	24.0	23.0	21.0	15	6-353293-5	1-353293-5
0.68	22.5	21.5	19.5	14	6-353293-4	1-353293-4
0.64	21.0	20.0	18.0	13	6-353293-3	1-353293-3
0.59	19.5	18.5	16.5	12	6-353293-2	1-353293-2
0.54	18.0	17.0	15.0	11	6-353293-1	1-353293-1
0.49	16.5	15.5	13.5	10	6-353293-0	1-353293-0
0.45	15.0	14.0	12.0	9	5-353293-9	353293-9
0.40	13.5	12.5	10.5	8	5-353293-8	353293-8
0.35	12.0	11.0	9.0	7	5-353293-7	353293-7
0.30	10.5	9.5	7.5	6	5-353293-6	353293-6
0.26	9.0	8.0	6.0	5	5-353293-5	353293-5
0.21	7.5	6.5	4.5	4	5-353293-4	353293-4
0.16	6.0	5.0	3.0	3	5-353293-3	353293-3
0.11	4.5	3.5	1.5	2	5-353293-2	353293-2
WEIGHT (g)	C	B	A	Pos.	BLUE	GRAY
	寸法 DIMENSIONS				製品型番 P/N	

RELEASED FOR PUBLICATION

ALL RIGHTS RESERVED.

THIS DRAWING IS UNPUBLISHED.

© COPYRIGHT

DIMENSIONS: 単位: ㎜ mm		DWN T. FURUYA 12. JUL '96 CHK J. TANIGAWA 12. JUL '96 APVD	WIRE RANGE 適合電線断面積 $0.08\text{mm}^2 - 0.14\text{mm}^2$	INSULATION DIA 被覆外径 $\varnothing 0.8\text{mm} - \varnothing 0.95\text{mm}$
TOLERANCES UNLESS OTHERWISE SPECIFIED: 一般公差 $10 \geq : \pm 0.2$ $30 \geq > 10 : \pm 0.25$ $100 \geq > 30 : \pm 0.3$ ANGLE : $\pm 3^\circ$		PRODUCT SPEC 製品規格 108-5525	MATERIAL SEE SHEET 1 OF 2 材料 枚目参照	FINISH SEE SHEET 1 OF 2 仕上 枚目参照
		APPLICATION SPEC 取付運用規格 114-5223	TE TE Connectivity	
WEIGHT SEE TABLE 表参照		NAME 名称 AMP Mini Common Terminated (CT) Connector 1.5mm PITCH MT RECEPTACLE ASSEMBLY	SIZE A4	CAGE CODE 00779
CUSTOMER DRAWING		DRAWING NO 番号 C-353293	SCALE 尺度 NON	SHEET 2 OF 2 REV E1