



Chipsmall Limited consists of a professional team with an average of over 10 year of expertise in the distribution of electronic components. Based in Hongkong, we have already established firm and mutual-benefit business relationships with customers from,Europe,America and south Asia,supplying obsolete and hard-to-find components to meet their specific needs.

With the principle of “Quality Parts,Customers Priority,Honest Operation,and Considerate Service”,our business mainly focus on the distribution of electronic components. Line cards we deal with include Microchip,ALPS,ROHM,Xilinx,Pulse,ON,Everlight and Freescale. Main products comprise IC,Modules,Potentiometer,IC Socket,Relay,Connector.Our parts cover such applications as commercial,industrial, and automotives areas.

We are looking forward to setting up business relationship with you and hope to provide you with the best service and solution. Let us make a better world for our industry!



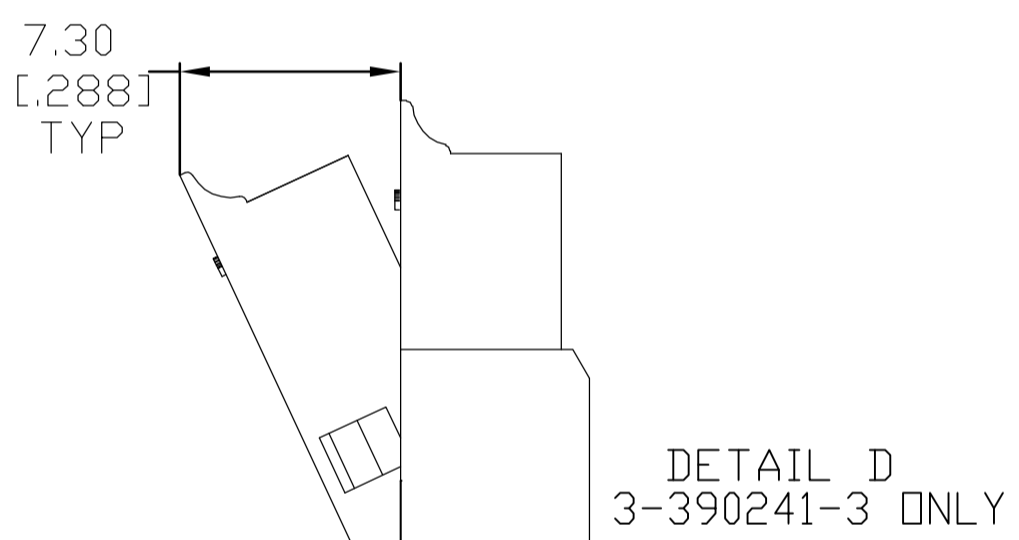
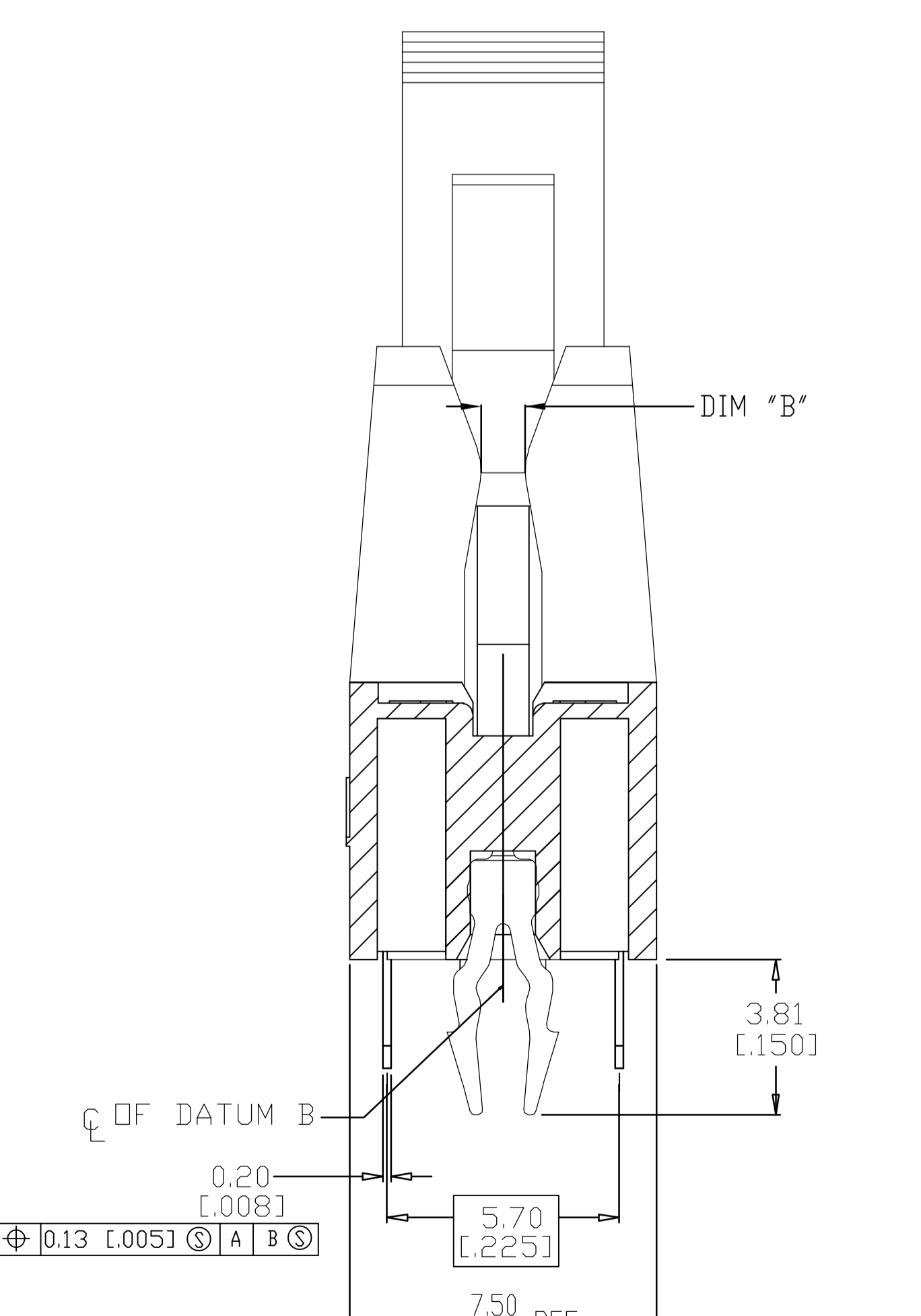
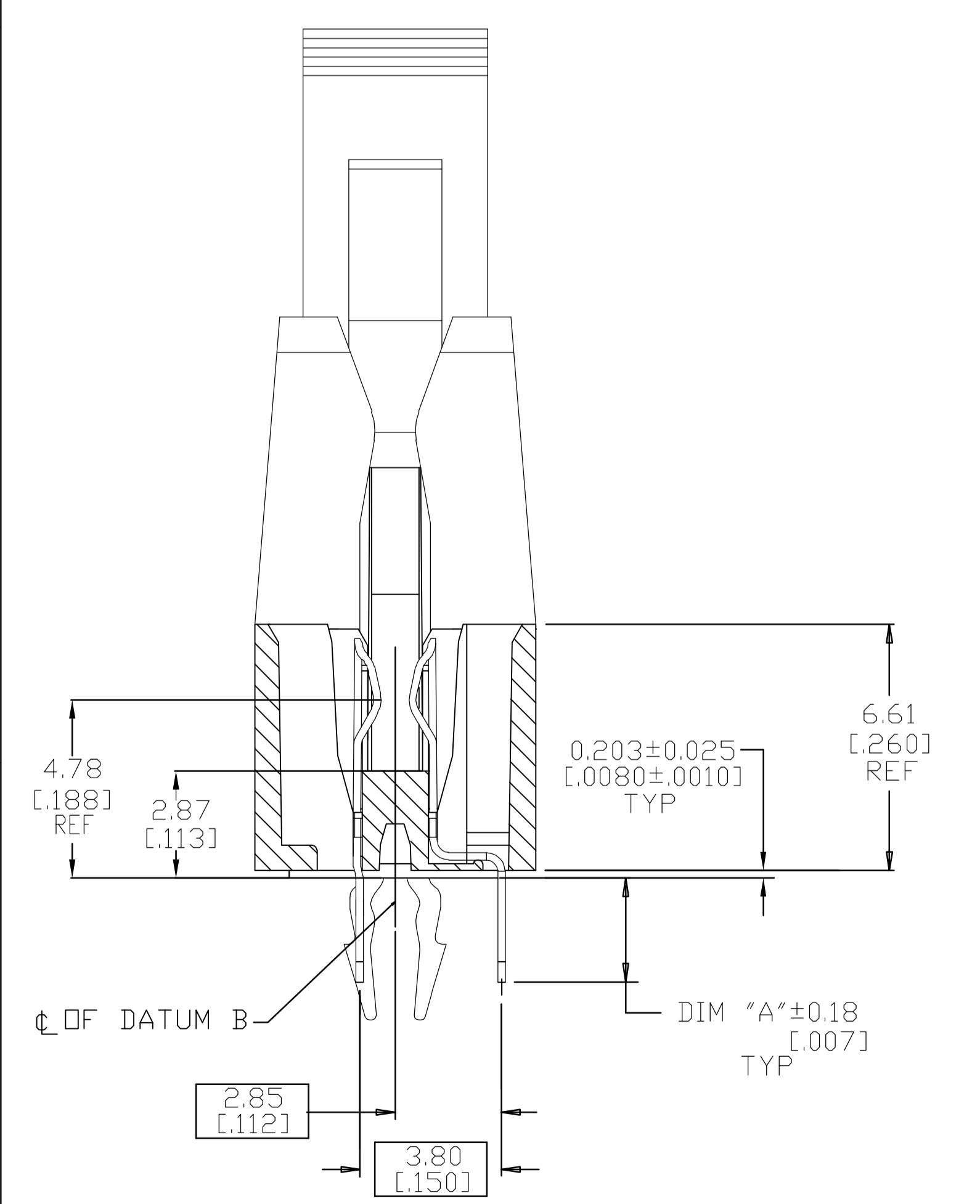
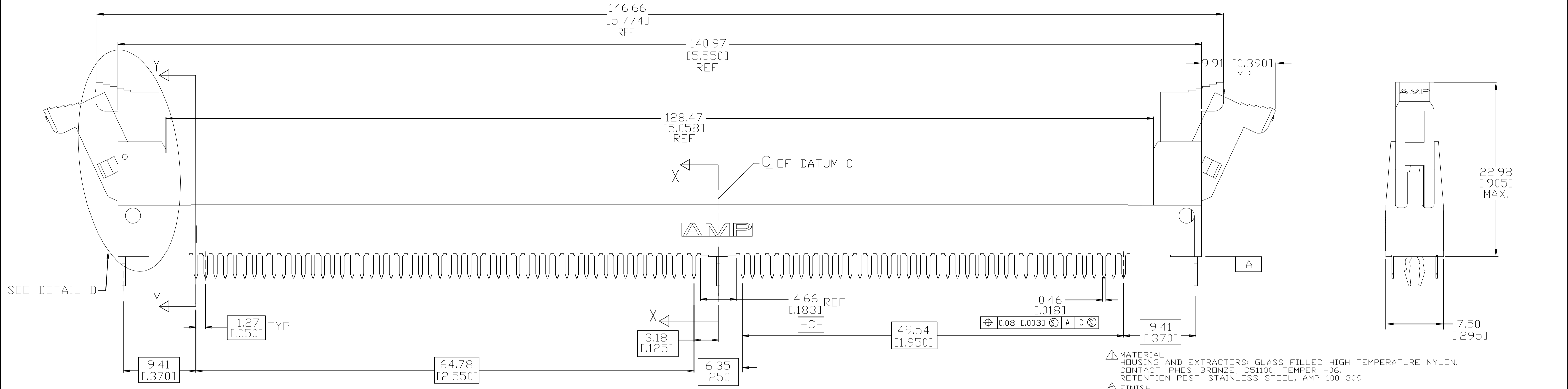
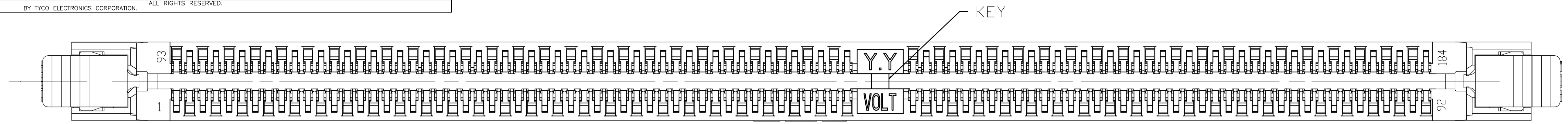
Contact us

Tel: +86-755-8981 8866 Fax: +86-755-8427 6832

Email & Skype: info@chipsmall.com Web: www.chipsmall.com

Address: A1208, Overseas Decoration Building, #122 Zhenhua RD., Futian, Shenzhen, China



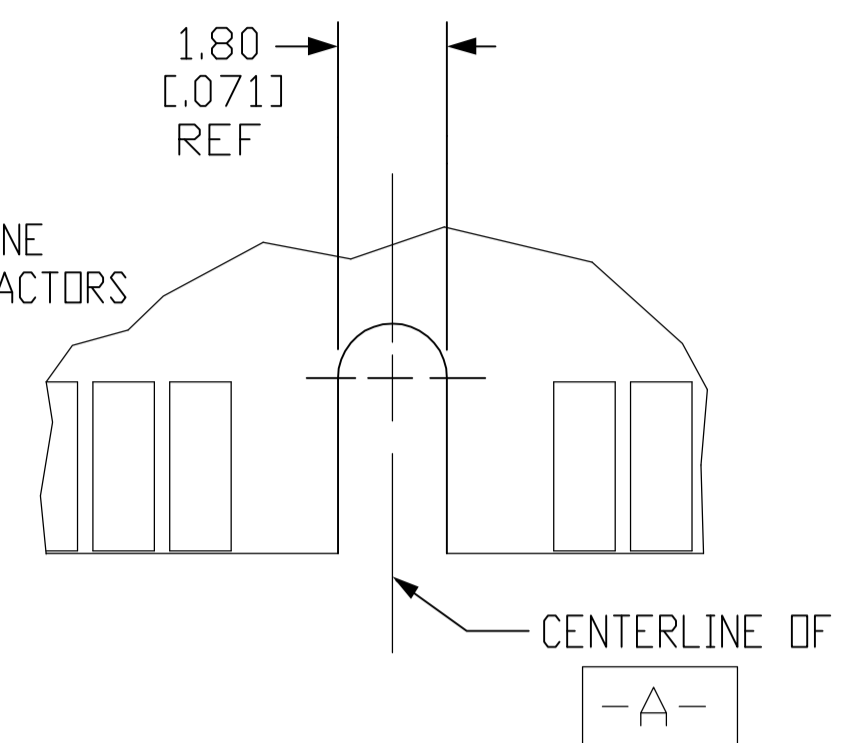
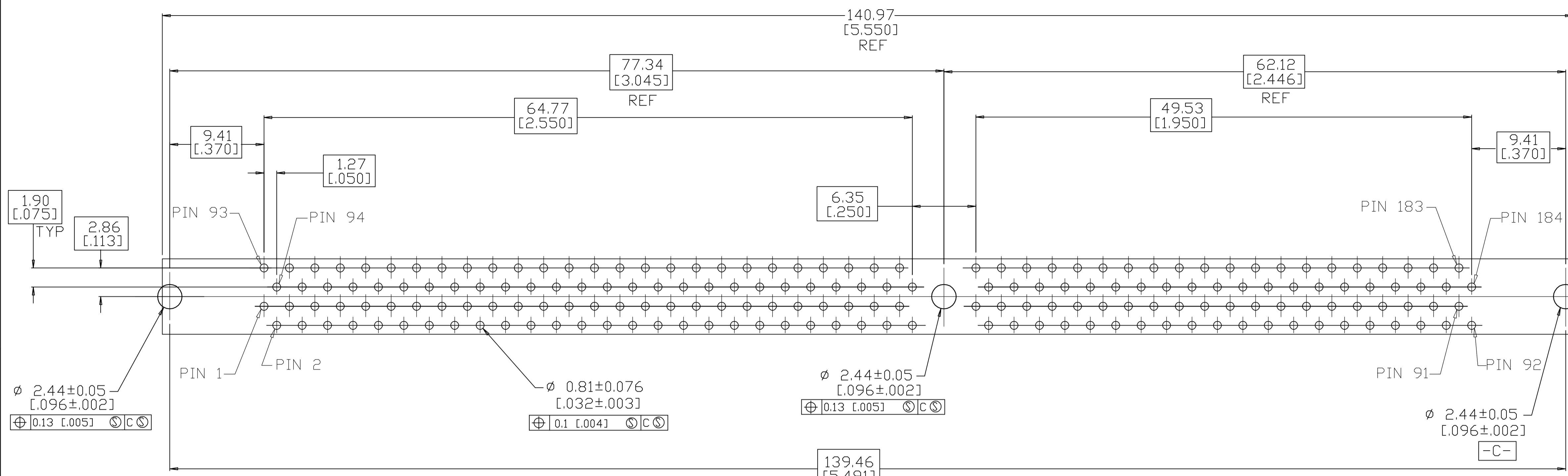


- ▲ MATERIAL HOUSING AND EXTRACTORS: GLASS FILLED HIGH TEMPERATURE NYLON.
- ▲ CONTACT: PHOS. BRONZE, CS1100, TEMPER H06.
- ▲ RETENTION POST: STAINLESS STEEL, AMP 100-309.
- ▲ FINISH CONTACT: NICKEL PLATE ALL OVER 0.00127-0.0019 [0.000050-0.000075] THICK PER AMP SPEC 112-25-2.
- ▲ GOLD PLATE IN INTERFACE AREA 0.00038 [0.000015] MIN THICK PER AMP SPEC 112-162-5.
- ▲ TIN LEAD PLATE IN SOLDER TAIL AREA .00381-.00635 [0.00150-.000250] THICK PER AMP SPEC 112-26-2.
- ▲ PART NUMBER WILL NOT HAVE METAL RETENTION POSTS.
- ▲ EXTRACTOR MATERIAL: POLYSULFONE, COLOR-AMBER, CLEAR.
- ▲ GOLD PLATE IN INTERFACE AREA 0.000076 [0.000003] MIN THICK PER AMP SPEC 112-162-5. NICKEL AND TIN LEAD PLATING SPECIFICATIONS WILL BE THE SAME AS NOTE 2.
- ▲ RETENTION POST: BRASS
- ▲ RETENTION POST WILL BE MADE FROM 1/4 HARD STAINLESS STEEL PER AMP 100-309.
- ▲ EXTRACTOR MATERIAL: GLASS-FILLED HIGH TEMPERATURE NYLON, COLOR-BLACK.
- ▲ GOLD PLATE IN INTERFACE AREA 0.000076 [0.000003] MIN THICK PER AMP SPEC 112-162-5 OVER 0.00254 [0.000100] MIN THICK NICKEL PER AMP SPEC 112-25-3.
- ▲ GOLD PLATE IN INTERFACE AREA 0.00038 [0.000015] MIN THICK PER AMP SPEC 112-162-5 OVER 0.00254 [0.000100] MIN THICK NICKEL PER AMP SPEC 112-25-3.
- ▲ MATTE TIN IN SOLDER TAIL AREA .00381-.00635 [0.00150-.000250] THICK PER AMP SPEC 112-65-1 OVER 0.00127-.00510 [0.000050-.000200] THICK NICKEL PER AMP SPEC 112-25-3.
- ▲ PRELIMINARY - NOT RELEASED FOR PRODUCTION

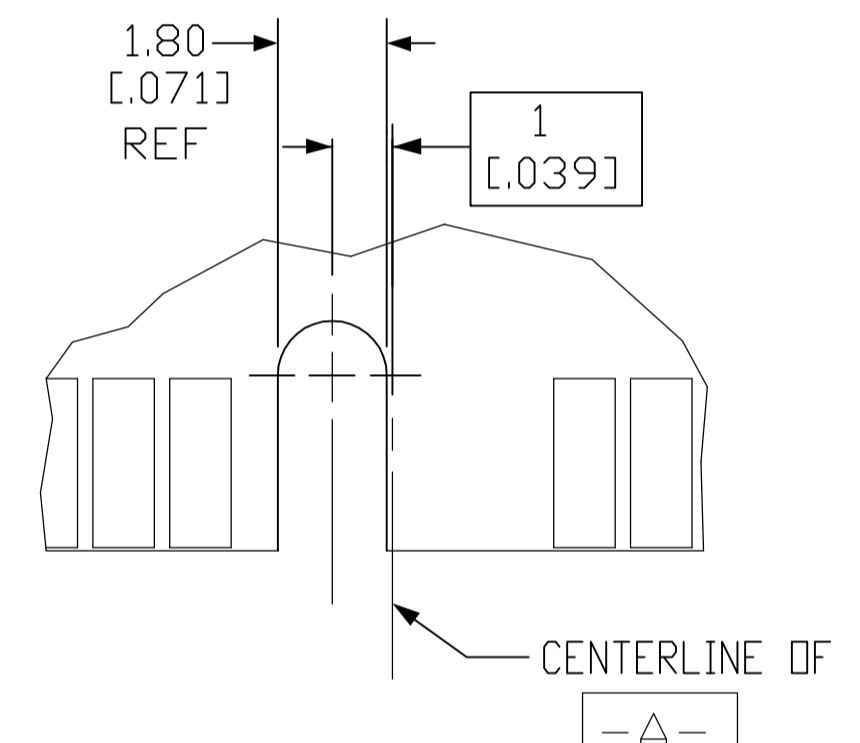
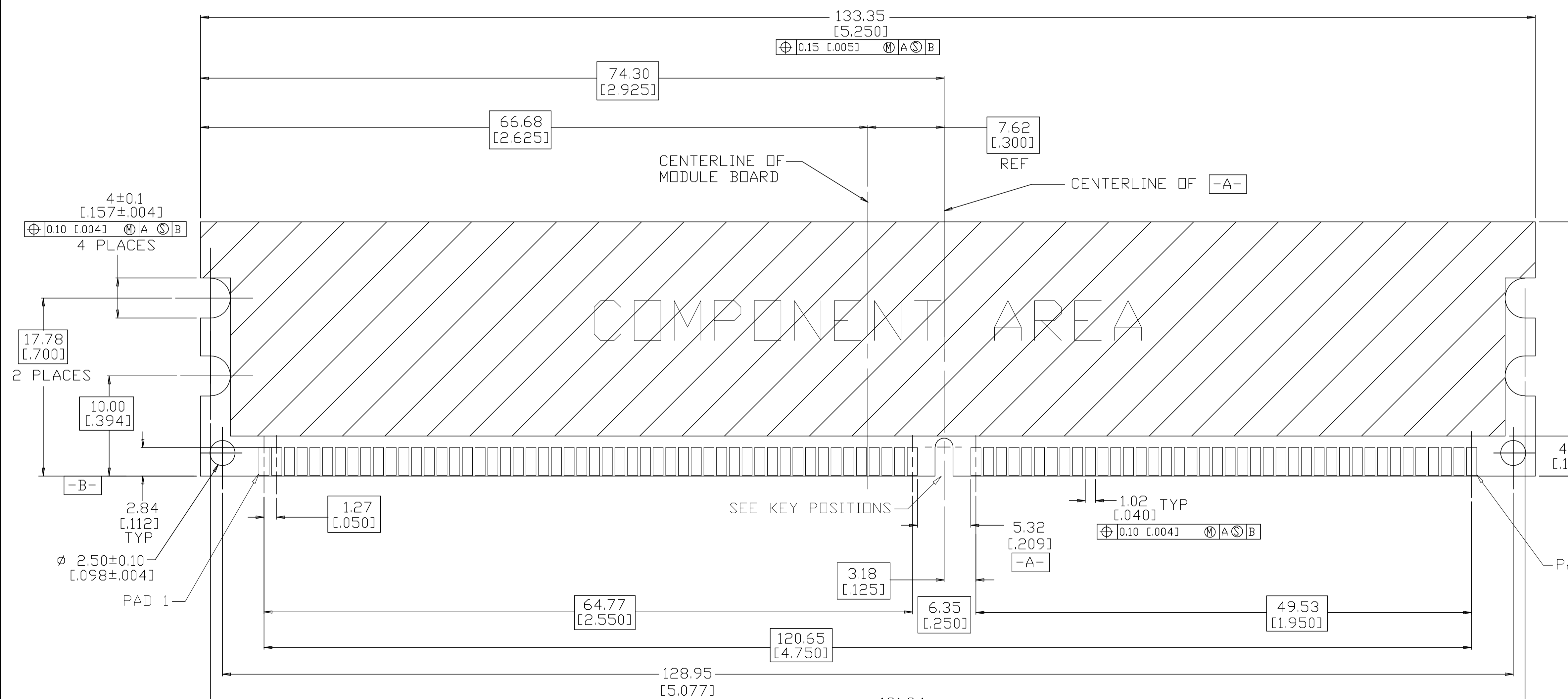
| | 1.07 [0.042] | 3.81 [0.150] | DETAIL B | 184 POSN. DIMM2P , 2.5V, POST-PLATE CONTACTS | 8-390241-2 | | | | |
|---------------------------|--------------|----------------------------|--------------|---|-------------|--|--|--|--|
| | 1.07 [0.042] | 3.81 [0.150] | DETAIL B | 184 POSN. DIMM2P , 2.5V, POST-PLATED CONTACTS | 8-390241-1 | | | | |
| SUPERSEDED BY 5390241-9 | 1.07 [0.042] | 2.79 [0.110] | DETAIL B | 184 POSN. DIMM2P , 2.5V, PRE-PLATED CONTACTS | 7-390241-1 | | | | |
| | 1.07 [0.042] | 4.26 [0.168] | DETAIL B | 184 POSN. DIMM2P , 2.5V, 30 GOLD PLATED CONTACTS | 6-390241-1 | | | | |
| SUPERSEDED BY 5390241-8 | 1.47 [0.058] | 3.30 [0.130] | DETAIL B | 184 POSN. DIMM2P , 2.5V, PRE-PLATED CONTACTS | 5-390241-1 | | | | |
| | 1.07 [0.042] | 2.79 [0.110] | DETAIL B | 184 POSN. DIMM2P , 2.5V, PRE-PLATED CONTACTS | 4-390241-1 | | | | |
| | 1.07 [0.042] | 2.79 [0.110] | DETAIL B | 184 POSN. DIMM2P , 2.5V, PRE-PLATED CONTACTS | 3-390241-3 | | | | |
| SUPERSEDED BY 5390241-6 | 1.07 [0.042] | 2.79 [0.110] | DETAIL B | 184 POSN. DIMM2P , 2.5V, PRE-PLATED CONTACTS | 3-390241-1 | | | | |
| | 1.47 [0.058] | 2.79 [0.110] | DETAIL A | 184 POSN. DIMM2P , 1.8V, PRE-PLATED CONTACTS | 2-390241-2 | | | | |
| SUPERSEDED BY 5390241-5 | 1.47 [0.058] | 2.79 [0.110] | DETAIL B | 184 POSN. DIMM2P , 2.5V, PRE-PLATED CONTACTS | 2-390241-1 | | | | |
| SUPERSEDED BY 1-5390241-2 | 1.07 [0.042] | 2.79 [0.110] | DETAIL A | 184 POSN. DIMM2P , 1.8V, PRE-PLATED CONTACTS | 1-390241-2 | | | | |
| | 1.07 [0.042] | 2.79 [0.110] | DETAIL B | 184 POSN. DIMM2P , 2.5V, PRE-PLATED CONTACTS | 1-390241-1 | | | | |
| | 1.07 [0.042] | 2.79 [0.110] | DETAIL B | 184 POSN. DIMM2P , 2.5V, GOLD FLASH PLATED CONTACTS | 390241-6 | | | | |
| | 1.07 [0.042] | 3.30 [0.130] | DETAIL A | 184 POSN. DIMM2P , 1.8V, PRE-PLATED CONTACTS | 390241-5 | | | | |
| | 1.07 [0.042] | 3.30 [0.130] | DETAIL B | 184 POSN. DIMM2P , 2.5V, PRE-PLATED CONTACTS | 390241-4 | | | | |
| SUPERSEDED BY 5390241-3 | 1.07 [0.042] | 2.79 [0.110] | DETAIL B | 184 POSN. DIMM2P , 2.5V, PRE-PLATED CONTACTS | 390241-3 | | | | |
| SUPERSEDED BY 5390241-2 | 1.07 [0.042] | 2.79 [0.110] | DETAIL A | 184 POSN. DIMM2P , 1.8V, PRE-PLATED CONTACTS | 390241-2 | | | | |
| SUPERSEDED BY 5390241-1 | 1.07 [0.042] | 2.79 [0.110] | DETAIL B | 184 POSN. DIMM2P , 2.5V, PRE-PLATED CONTACTS | 390241-1 | | | | |
| | DIM 'B' | SOLDER TAIL LENGTH DIM 'A' | KEY POSITION | DESCRIPTION | PART NUMBER | | | | |

THIS DRAWING IS A CONTROLLED DOCUMENT.

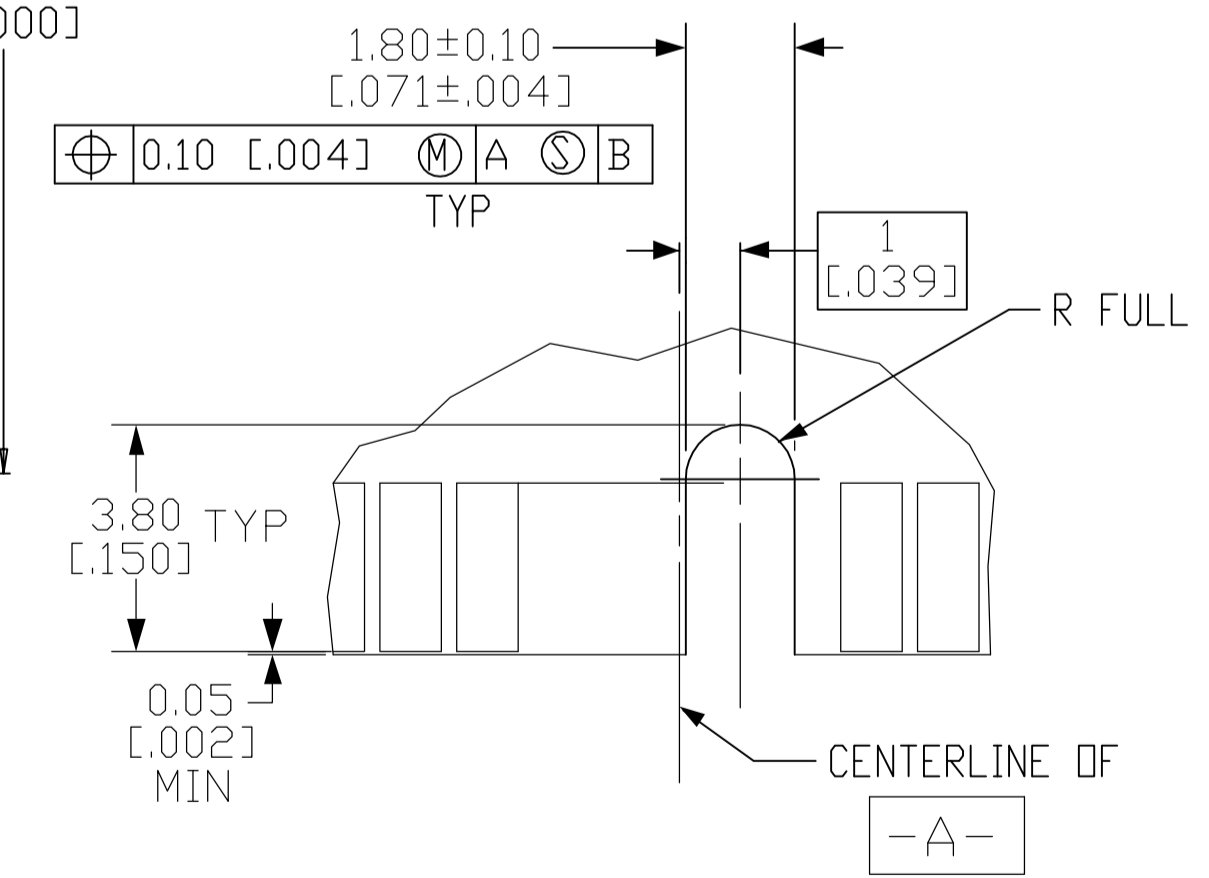
| | | | | |
|-------------------------|--|--------------------|------------------|------------------------------|
| DIMENSIONS: MM [INCHES] | TOLERANCES UNLESS OTHERWISE SPECIFIED: | DIN A HOLT 21SEP01 | tyco Electronics | Tyco Electronics Corporation |
| 0 PLC ± - | 1 PLC ± - | 19NOV98 | | Shanghai, P.R.China, 200233 |
| 2 PLC ± 0.13 [0.005] | 3 PLC ± - | 19NOV98 | NAME | SOCKET ASSEMBLY, DIMM2P |
| 4 PLC ± - | ANGLES ± - | | PRODUCT SPEC | 108-1753 |
| | | | APPLICATION SPEC | 114-1115 |
| MATERIAL | FINISH | WEIGHT | SIZE | CAGE CODE |
| | | | A1 | 00779 |
| | | | DRAWING NO | 390241 |
| | | | RESTRICTED TO | |
| | | | CUSTOMER DRAWING | SCALE 4:1 |
| | | | SHEET | 1 OF 2 |
| | | | REV | Z |



DETAIL A
SCALE 8:1



DETAIL B
SCALE 8:1



DETAIL C
SCALE 8:1

KEY POSITIONS

RECOMMENDED MODULE LAYOUT
SEE JEDEC SPEC MO-206 FOR COMPLETE MODULE DETAILS
1.27±0.10 [0.050±0.004] THICK ACROSS CONTACT PADS

| | | | |
|--|------------------|----------------------------|---|
| THIS DRAWING IS A CONTROLLED DOCUMENT. | | DWG: A.HOLT 21SEP01 | Tyco Electronics Corporation Shanghai, P.R.China, 200233 |
| DIMENSIONS: MM [INCHES] | | CHK: D.SHIRLING 24NOV98 | |
| TOLERANCES UNLESS OTHERWISE SPECIFIED: | | APPV: D.SHIRLING 24NOV98 | NAME: SOCKET ASSEMBLY, DIMM2P |
| 0 PLC ± - | 1 PLC ± - | PRODUCT SPEC: 108-1753 | 184 POSITION, DDR |
| 2 PLC ± 0.13 [0.005] | 3 PLC ± - | APPLICATION SPEC: 114-1115 | |
| 4 PLC ± - | ANGLES ± - | SIZE: A1 | CAGE CODE: 00779 |
| MATERIAL: [Symbol] | FINISH: [Symbol] | DRAWING NO: 390241 | RESTRICTED TO: - |
| | | WEIGHT: - | CUSTOMER DRAWING |
| | | SCALE: 1:1 | SHEET 2 OF 2 |
| | | | REV Z |