



Chipsmall Limited consists of a professional team with an average of over 10 year of expertise in the distribution of electronic components. Based in Hongkong, we have already established firm and mutual-benefit business relationships with customers from,Europe,America and south Asia,supplying obsolete and hard-to-find components to meet their specific needs.

With the principle of "Quality Parts,Customers Priority,Honest Operation,and Considerate Service",our business mainly focus on the distribution of electronic components. Line cards we deal with include Microchip,ALPS,ROHM,Xilinx,Pulse,ON,Everlight and Freescale. Main products comprise IC,Modules,Potentiometer,IC Socket,Relay,Connector.Our parts cover such applications as commercial,industrial, and automotives areas.

We are looking forward to setting up business relationship with you and hope to provide you with the best service and solution. Let us make a better world for our industry!



Contact us

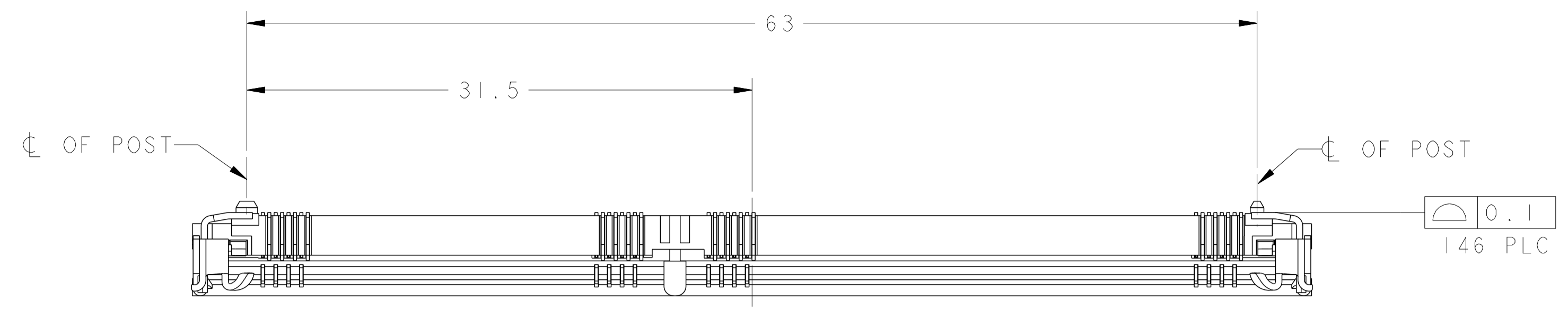
Tel: +86-755-8981 8866 Fax: +86-755-8427 6832

Email & Skype: info@chipsmall.com Web: www.chipsmall.com

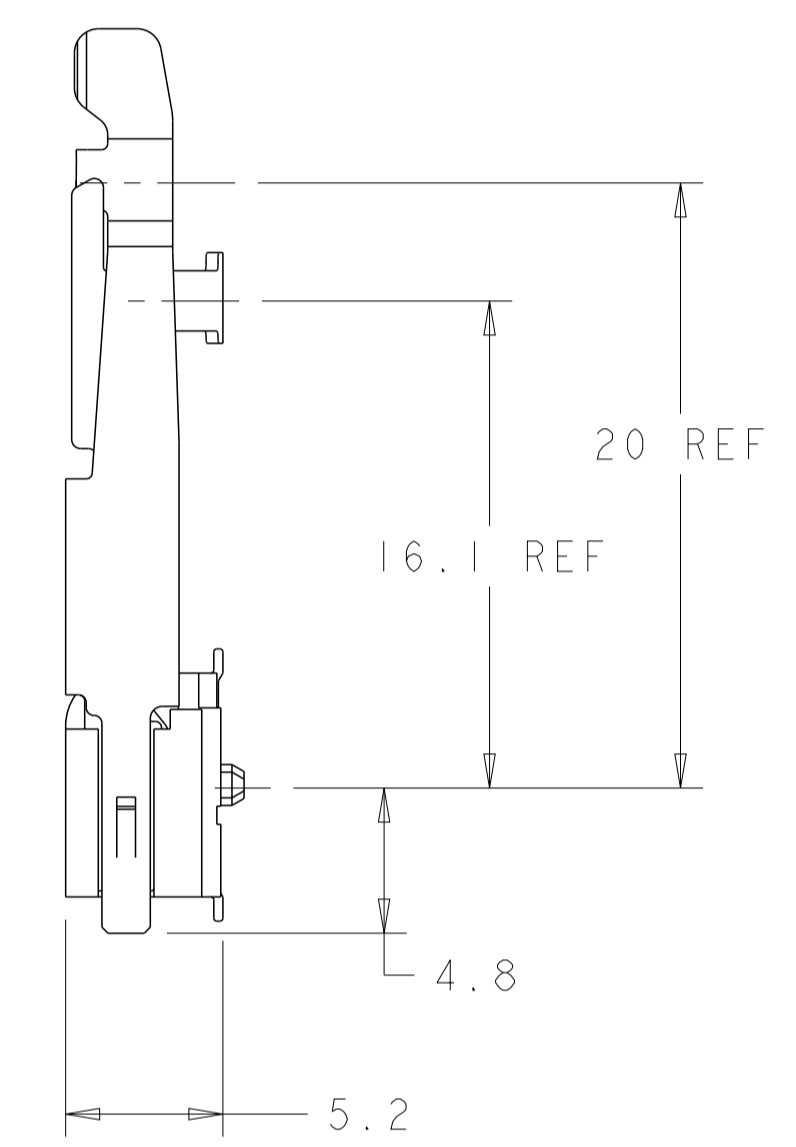
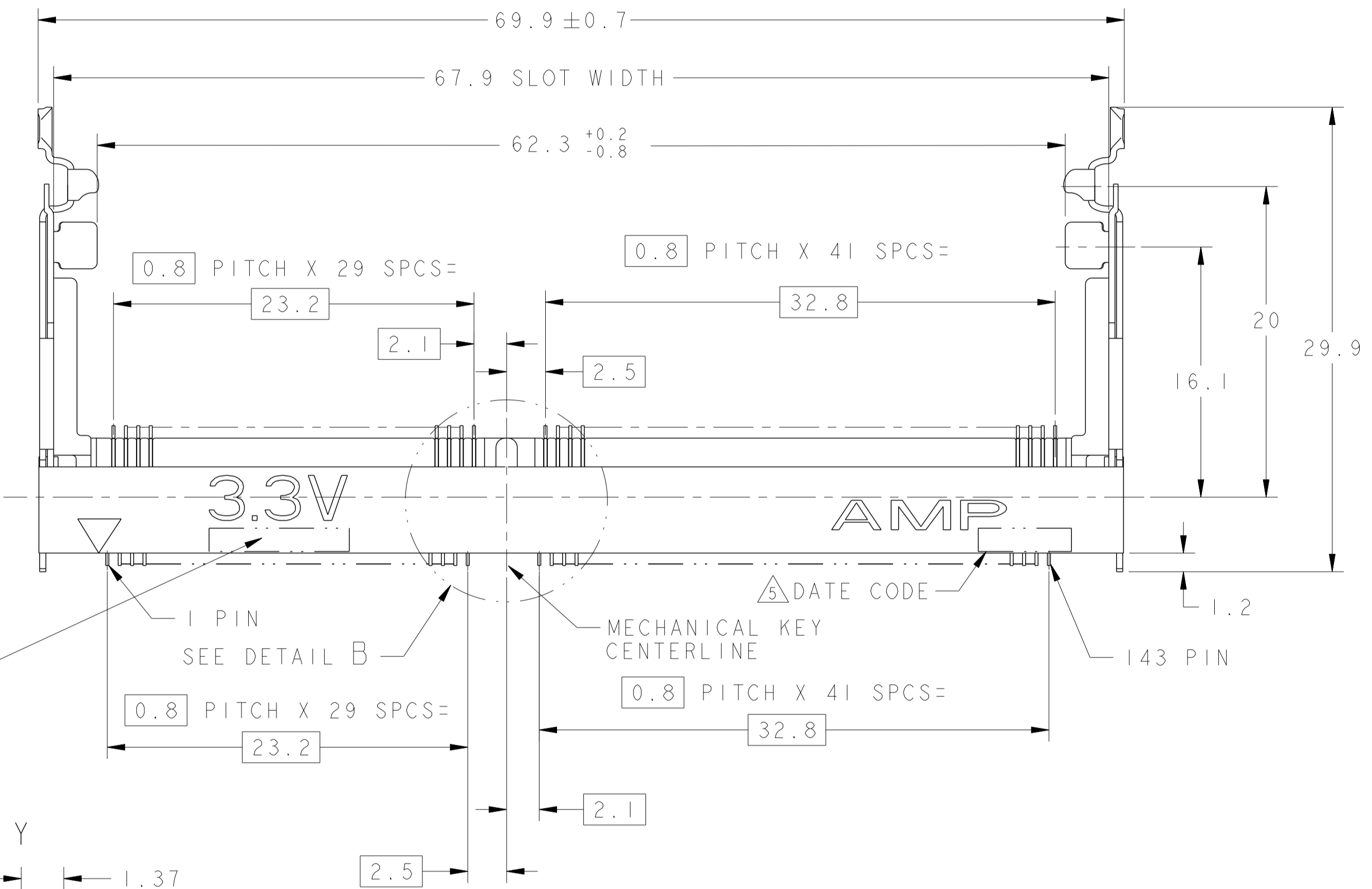
Address: A1208, Overseas Decoration Building, #122 Zhenhua RD., Futian, Shenzhen, China



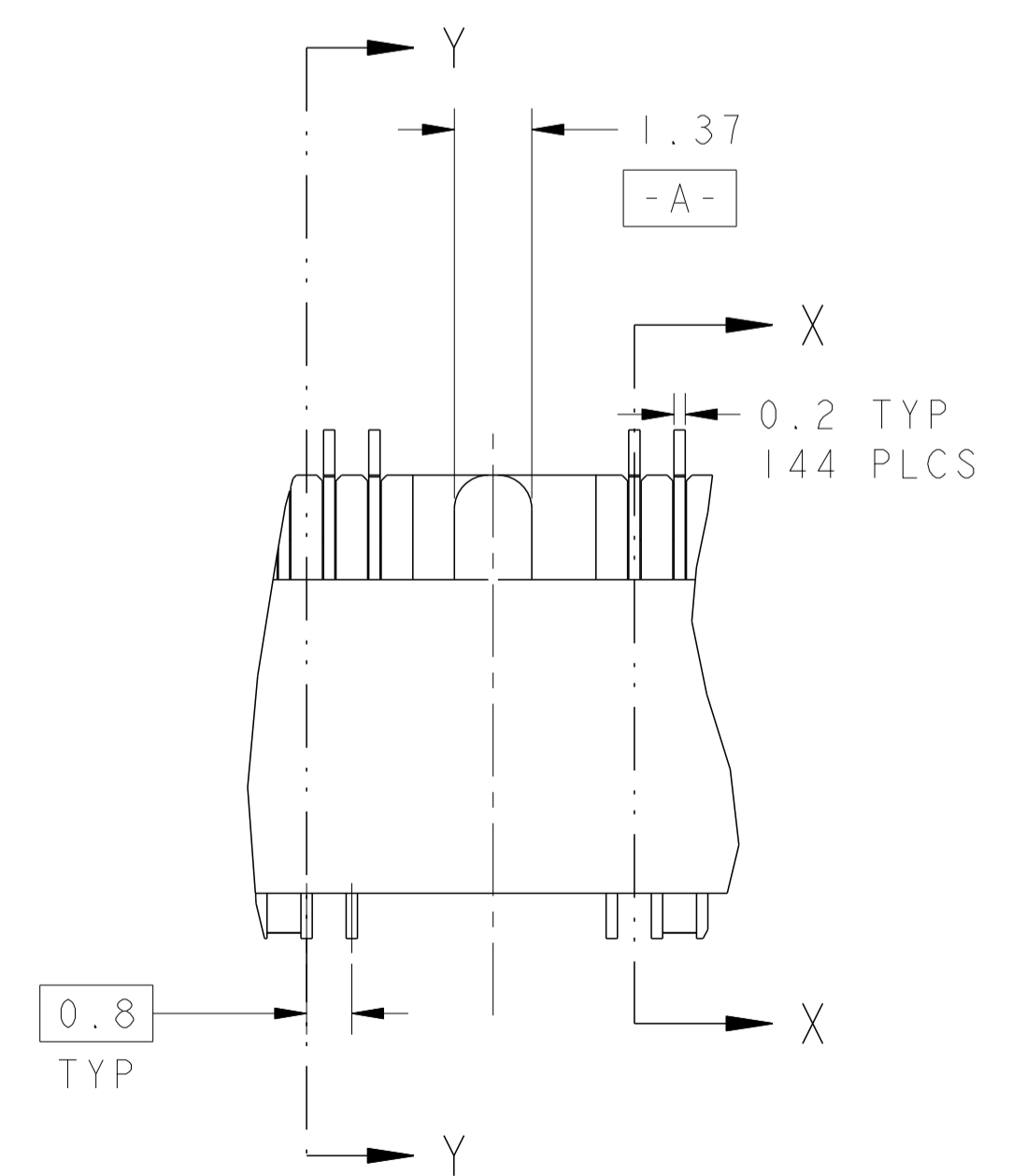
LOC		DIST		REVISONS			
REV	DATE	BY	CHK	DESCRIPTION	DATE	BY	CHK
G				REVISED PER ECR-10-007858	13APR2010	SYJ	LSF



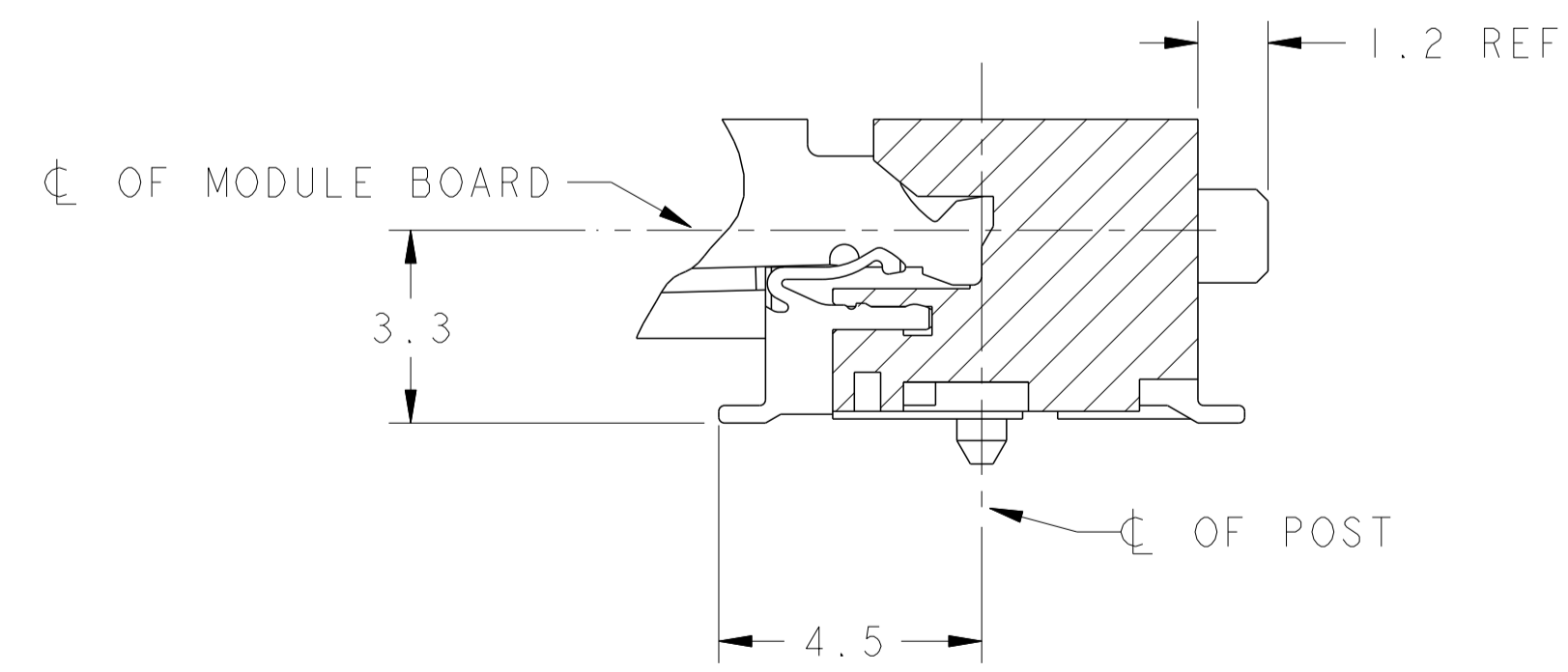
1. MATERIAL, HOUSING, HIGH TEMPERATURE PLASTIC, UL94V-0, NAT. CONTACT: COPPER ALLOY LATCH: SUS301 STAINLESS STEEL PLATING.
2. FINISH; CONTACT AREA: 0.00076 MIN GOLD PLATE ON 0.001 MIN ALL OVER NICKEL SOLDERING AREA: 0.00005 MIN TO 0.00030 MAX GOLD PLATE
3. TOLERANCES NON-ACCUMULATIVE.
4. PART PACKAGED PER EIA-18704 STANDARD. REEL DIAMETER SHALL BE 330mm. TAPE WIDTH SHALL BE 88mm AND TAPE PITCH SHALL BE 36mm.
5. DATE CODE (4-DIGITS), LOCATED AS SHOWN. TO BE INTERPRETED AS FOLLOWS:
 DIGIT # 1 - LAST DIGIT OF YEAR.
 DIGITS # 2 AND # 3 - CALENDAR WEEK.
 DIGIT # 4 - DAY OF THE WEEK (WITH SUNDAYS AS DAY 1).



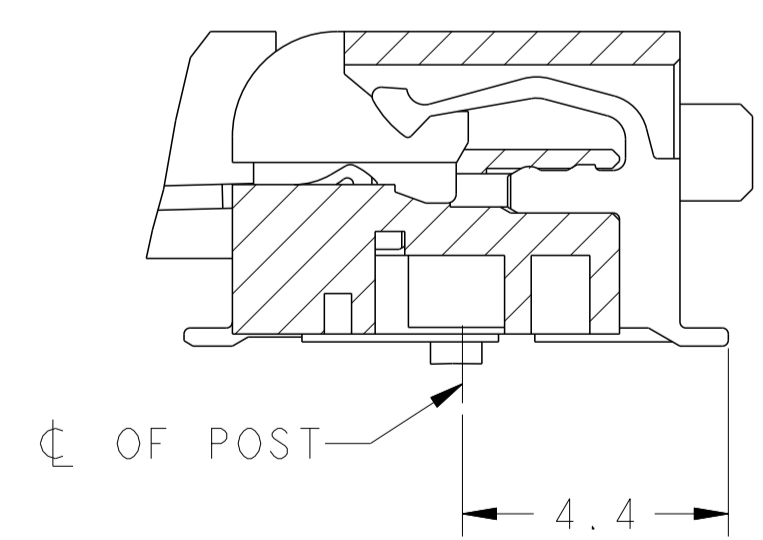
HOUSING MATERIAL IDENTIFICATION



DETAIL B
SCALE 8:1



SECTION X-X
ROTATED 90° CCW
SCALE 8:1



SECTION Y-Y
ROTATED 90° CCW
SCALE 8:1

AVAILABLE	DRAM 3.3V	144	6-390376-1
REMARKS	POWER SUPPLY	POS	PART NUMBER

<small>THIS DRAWING IS A CONTROLLED DOCUMENT FOR AMP INCORPORATED AND IS SUBJECT TO CHANGE. AMP, THE CONTROL AND ENGINEERING ORGANIZATION SHOULD BE CONTACTED FOR THE LATEST REVISION.</small>		DWN: A. HOLT 25APR00 CHK: K. KREIDLER 25APR00	TYCO ELECTRONICS SINGAPORE
DIMENSIONS: mm TOLERANCES UNLESS OTHERWISE SPECIFIED: 0 PLC ±0.2 1 PLC ±0.2 2 PLC ±0.2 3 PLC ± 4 PLC ± ANGLES ±		APD: SE LEONG PRODUCT SPEC: 108-1739 APPLICATION SPEC: 114-1114	NAME: S.O.DIMM SOCKET 0.8mm PITCH 3.3V 144 POS, STD PROFILE FOR SDRAM MODULE, 0.00076 GOLD
MATERIAL:		WEIGHT: - FINISH:	SIZE: A1 CAGE CODE: 00779 DRAWING NO: 390376 RESTRICTED TO: G
CUSTOMER DRAWING		SCALE: 4:1	SHEET: 1 of 2 REV: G

