



Chipsmall Limited consists of a professional team with an average of over 10 year of expertise in the distribution of electronic components. Based in Hongkong, we have already established firm and mutual-benefit business relationships with customers from,Europe,America and south Asia,supplying obsolete and hard-to-find components to meet their specific needs.

With the principle of "Quality Parts,Customers Priority,Honest Operation,and Considerate Service",our business mainly focus on the distribution of electronic components. Line cards we deal with include Microchip,ALPS,ROHM,Xilinx,Pulse,ON,Everlight and Freescale. Main products comprise IC,Modules,Potentiometer,IC Socket,Relay,Connector.Our parts cover such applications as commercial,industrial, and automotives areas.

We are looking forward to setting up business relationship with you and hope to provide you with the best service and solution. Let us make a better world for our industry!



Contact us

Tel: +86-755-8981 8866 Fax: +86-755-8427 6832

Email & Skype: info@chipsmall.com Web: www.chipsmall.com

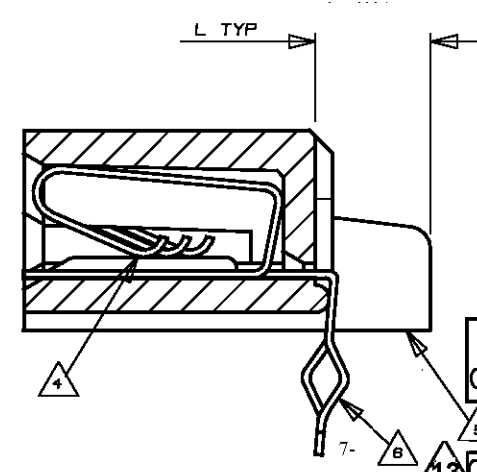
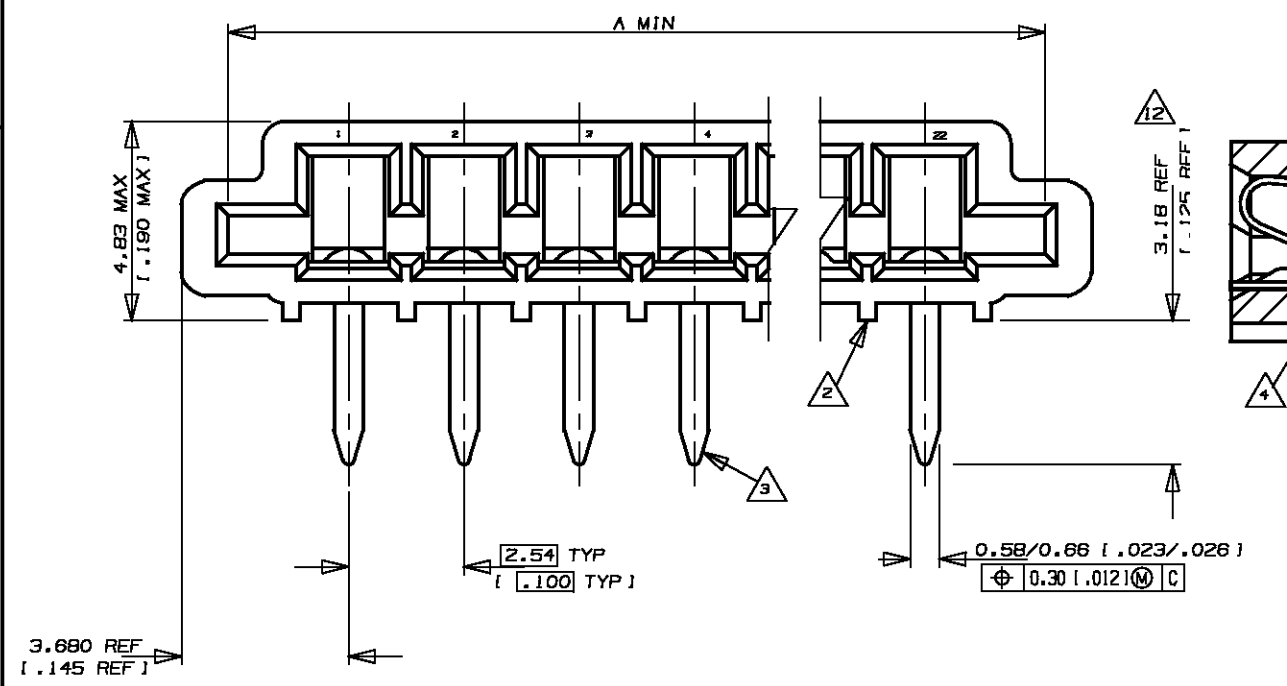
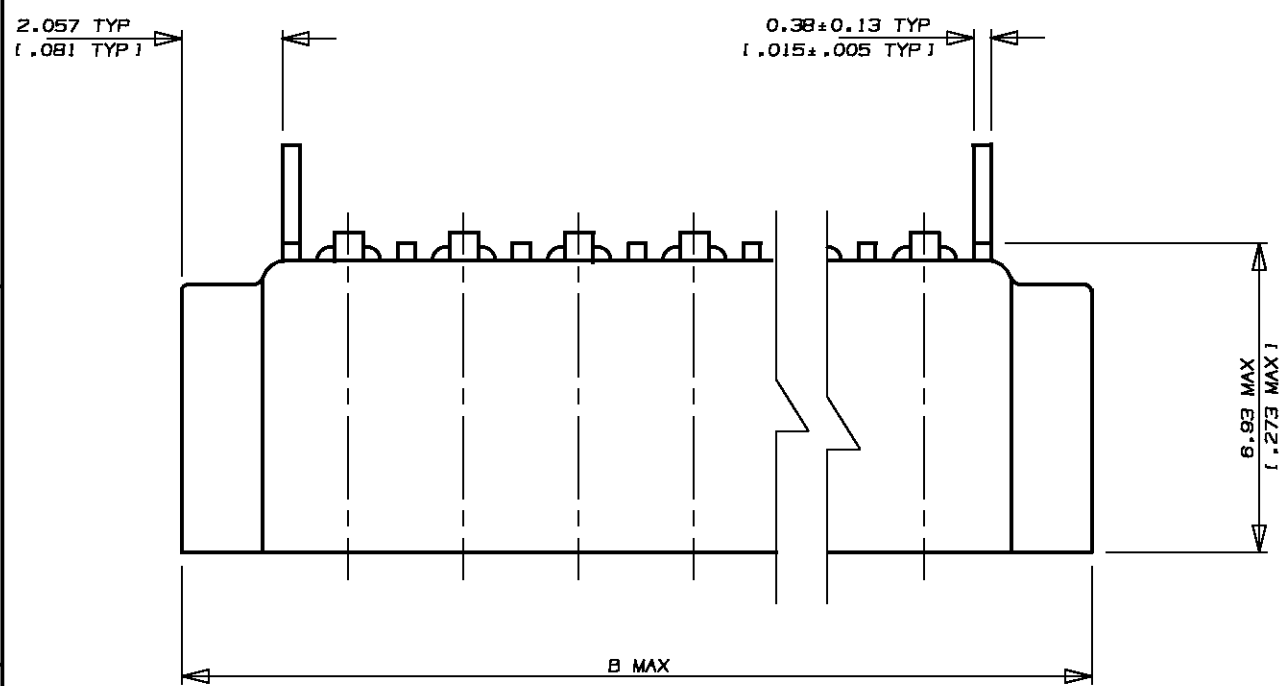
Address: A1208, Overseas Decoration Building, #122 Zhenhua RD., Futian, Shenzhen, China



487508
METRIC

DIMENSIONS IN MM (INCHES). DO NOT SCALE PRINT

PRINT DIST



- NOTES
- CONNECTOR WILL ACCEPT FLEXIBLE PRINTED CIRCUIT OR FLAT FLEXIBLE CABLE ON 2.54 (.100) CENTERS IN A THICKNESS RANGE OF 0.127 TO 0.381 (.005 TO .015) IN CONTACT AREA
 - STAND-OFFS PREVENT SOLVENT ENTRAPMENT
 - LEAD-IN ON PINS FOR EASE OF INSERTION INTO BOARD
 - SEQUENTIAL CONTACTS REDUCE CABLE INSERTION FORCE
 - STABILIZING WING MAY BE REMOVED BY CUSTOMER IF NECESSARY
 - ALTERNATING CONTACT FORM RETAINS CONNECTOR IN P.C. BOARD DURING SOLDER OPERATION
 - ACCEPTS CABLE OR CIRCUITRY WITH EXPOSED CONDUCTORS FACING TOWARD OR AWAY FROM THE BOARD SURFACE
 - REFER TO APPLICATION SPEC 114-2062
 - MATERIAL
HOUSING : GLASS REINFORCED POLYESTER
THERMOPLASTIC UL 94 VO RATED, BLACK
CONTACT : PHOS BRONZE
 - CONNECTOR IS HIGH NORMAL PROCE
 - MATTE TIN, 0.005 (.0002) MIN THK OVER COPPER 0.003 (.00015) MIN THK ON ENTIRE CONTACT
 - AREA INDICATED SHALL MEET SOLDERABILITY SPEC 109-11-1
 - OBsolete PARTS: OBsolete CIS STREAMLINING PER D.RENAUD/D.SINISI

	LEAD FREE				SUPERSEDED	
487508-8	1.067 [.042]	25.22 [.993]	23.01 [.906]	8	2-487508-8	
487508-1		80.78 [2.393]	58.57 [2.306]	22	2-487508-1	
487508-0		58.24 [2.293]	56.03 [2.206]	21	2-487508-0	
487508-9		55.70 [2.193]	53.49 [2.106]	20	1-487508-9	
6-487508-8		53.16 [2.093]	50.95 [2.006]	19	1-487508-8	
487508-7		50.62 [1.993]	48.41 [1.906]	18	1-487508-7	
487508-6		48.08 [1.893]	45.87 [1.806]	17	1-487508-6	
6-487508-5		45.54 [1.793]	43.33 [1.706]	16	1-487508-5	
487508-4		43.00 [1.693]	40.79 [1.606]	15	1-487508-4	
6-487508-3		40.46 [1.593]	38.25 [1.506]	14	1-487508-3	
6-487508-2		37.92 [1.493]	35.71 [1.406]	13	1-487508-2	
487508-1		35.38 [1.393]	33.17 [1.306]	12	1-487508-1	
6-487508-0		32.84 [1.293]	30.63 [1.206]	11	1-487508-0	
487508-9		30.30 [1.193]	28.09 [1.106]	10	487508-9	
5-487508-8		27.76 [1.093]	25.55 [1.006]	9	487508-8	
5-487508-7		25.22 [.993]	23.01 [.906]	8	487508-7	
5-487508-6		22.68 [.893]	20.47 [.806]	7	487508-6	
5-487508-5		20.14 [.793]	17.93 [.706]	6	487508-5	
5-487508-4		17.60 [.693]	15.39 [.606]	5	487508-4	
5-487508-3		15.06 [.593]	12.85 [.506]	4	487508-3	
487508-2		12.52 [.493]	10.31 [.406]	3	487508-2	
487508-1	2.540 [.100]	9.98 [.393]	7.77 [.306]	2	487508-1	

				PART NO	L	B	A	POS	PART NO
E3	ECR-10-022530	KK	HMR	07FEB11					
E2	REVISED PER ECO-09-026346	KK	AEG	27NOV09					
E1	REVISED AS PER ECR-06-04332	PM	KS	21FEB06					
E	REVISED FR00-0011-04	SD	PCH	19FEB04					
D	REVISED FP00-0120-98	LWY	TLP	31MAR98					
C	REDRAWN DY/EC/07B4	LWY	SL	30.7.93					
LTR	(REVISION RECORD)	DR	CHK	DATE					

Copyright ©1993		Copyright ©1993		TE Connectivity	
		TE MANUFACTURING (SINGAPORE) PTE. LTD.		ALL RIGHTS RESERVED.	
(WIRE RANGE)	(INSULATION DIA.)	(NAME)			
mm ² (AWG -)	mm	TRIOMATE HORIZONTAL CABLE ENTRY			
(MATERIAL)	(FINISH)	FOR 1.57 [.062] THK P.C. BOARD			
		(GENERAL TOLERANCE)	SIZE	LOC	(No.)
DR. WYLEE 30.7.93	DE. A.SOH	± 0.38	A3	DY	487508
CHK. SALLY 30.7.93	APP. PETER de JONG	[± .015]	(SCALE)	REV.	SHEET
			6:1	E3	1 OF 1

(CUSTOMER DRAWING)