



Chipsmall Limited consists of a professional team with an average of over 10 year of expertise in the distribution of electronic components. Based in Hongkong, we have already established firm and mutual-benefit business relationships with customers from,Europe,America and south Asia,supplying obsolete and hard-to-find components to meet their specific needs.

With the principle of “Quality Parts,Customers Priority,Honest Operation,and Considerate Service”,our business mainly focus on the distribution of electronic components. Line cards we deal with include Microchip,ALPS,ROHM,Xilinx,Pulse,ON,Everlight and Freescale. Main products comprise IC,Modules,Potentiometer,IC Socket,Relay,Connector.Our parts cover such applications as commercial,industrial, and automotives areas.

We are looking forward to setting up business relationship with you and hope to provide you with the best service and solution. Let us make a better world for our industry!



Contact us

Tel: +86-755-8981 8866 Fax: +86-755-8427 6832

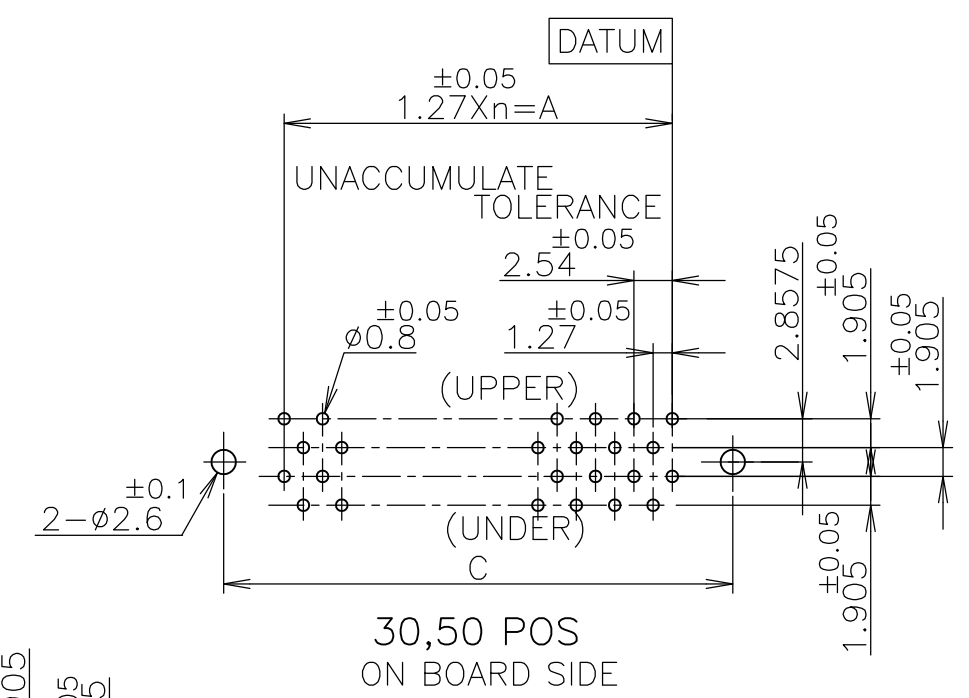
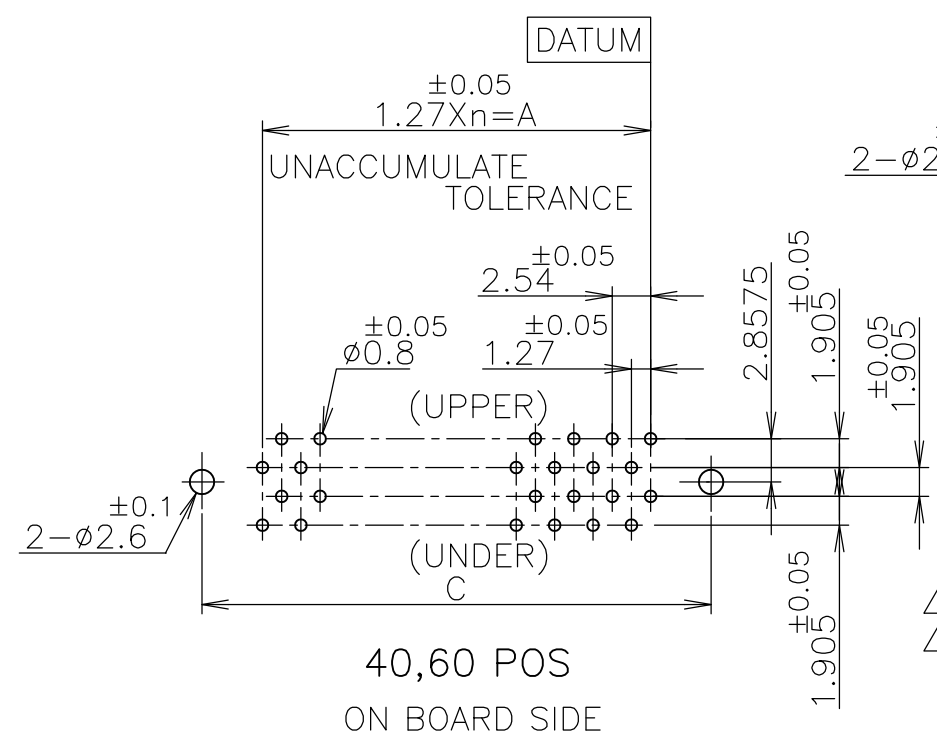
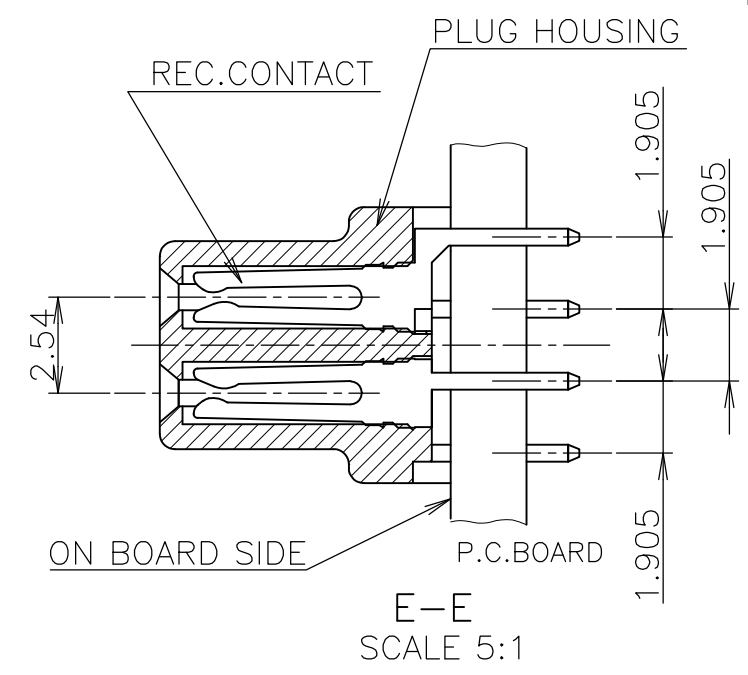
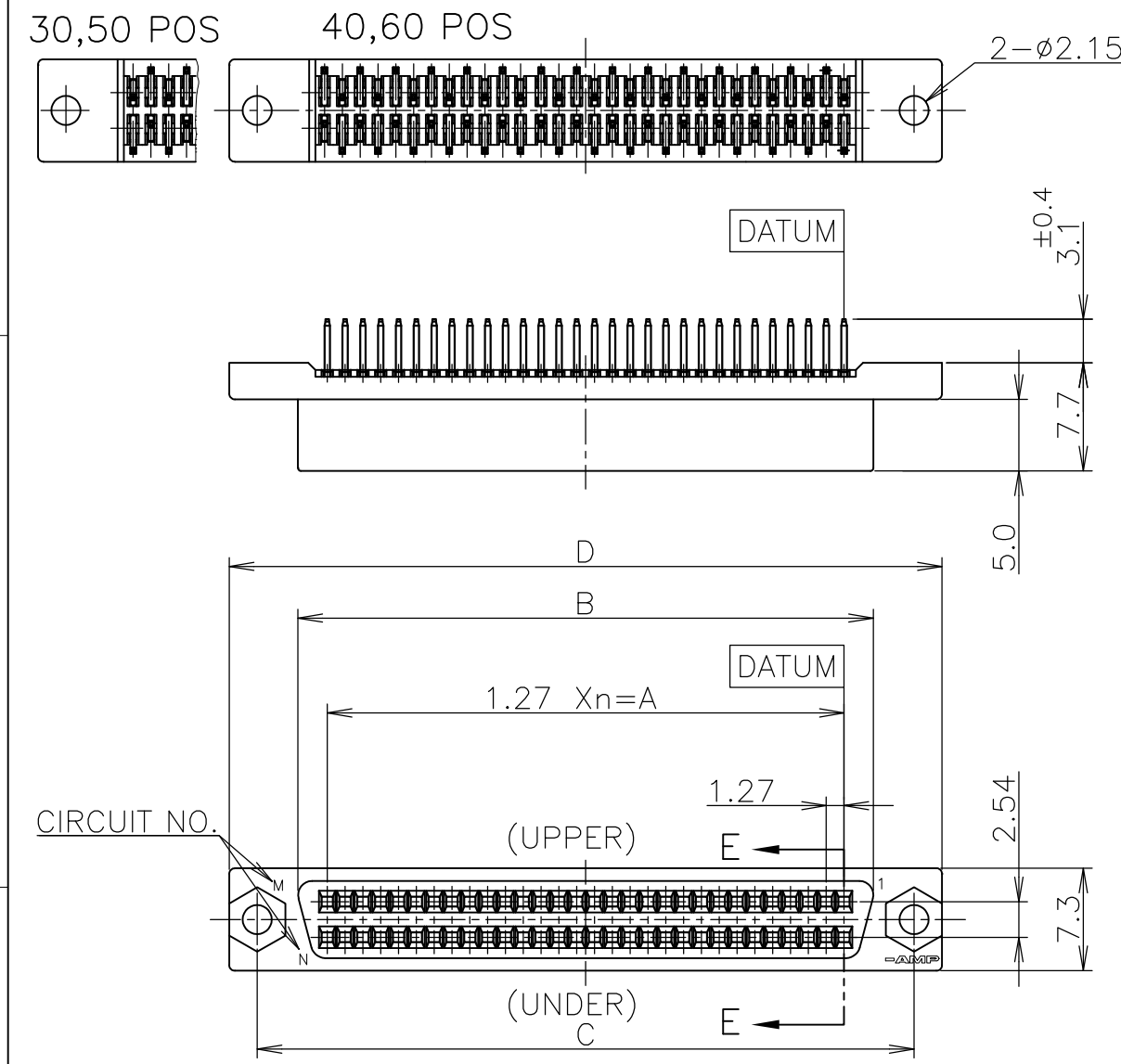
Email & Skype: info@chipsmall.com Web: www.chipsmall.com

Address: A1208, Overseas Decoration Building, #122 Zhenhua RD., Futian, Shenzhen, China



THIS DRAWING IS UNPUBLISHED. RELEASED FOR PUBLICATION AUG ,2004.
 © COPYRIGHT 2004 By - ALL RIGHTS RESERVED.

LOC	DIST	REVISIONS					
J	/	P	LTR	DESCRIPTION	DATE	DWN	APVD
		P		REVISED PER ECO-11-005033	28MAR11	RK	HMR



- 1 USE A P.C.B. WHOSE ARE TREATED WITH SOLDER RESIST.
 - 2 SHOW P.C.B LAYOUT FROM ON BOARD SURFACE SIDE.
 - 3 NUMBER THE CONTACT IN THE P.C.B OR CONNECTOR CONSECUTIVELY FROM "DATUM" SIDE.
 - 4 APPLY M2 SCREW & NUT TO FIX OF CONNECTOR.
- ⑤ HOUSING MATERIAL : P.B.T(UL94V-0) / BLACK
- ⑥ CONTACT MATERIAL : PHO-BRONZE
- ⑦ FINISH : NICKEL 0.00127 MIN THK. OVERALL SELECTIVE GOLD 0.00076 MIN. OR 0.0002 MIN. THK ON CONTACT AREA AND TIN 0.001 MIN THK. ON TINE AREA.
- ⑧ OBSOLETE PARTS: OBSOLETE CIS STREAMLINING PER D.RENAUD/D.SINISI

Au PL. 0.00076 MIN.	6-	-4	60	29	36.83	41.00	46.80	50.80
	6-	-3	50	24	30.48	34.65	40.45	44.45
	6-	-2	40	19	24.13	28.30	34.10	38.10
	6-	-1	30	14	17.78	21.95	27.75	31.75
Au PL. 0.0002 MIN.		-4	60	29	36.83	41.00	46.80	50.80
		-3	50	24	30.48	34.65	40.45	44.45
		-2	40	19	24.13	28.30	34.10	38.10
REMARK	5173279-1		30	14	17.78	21.95	27.75	31.75
	PART NUMBER		POS	n	A	B	C	D

LEAD FREE

GENERAL TOLERANCE
一般公差

10 ≥ :	±0.2
30 ≥ > 10:	±0.25
100 ≥ > 30:	±0.3
ANGLES:	±3°

THIS DRAWING IS A CONTROLLED DOCUMENT.

DIMENSIONS: mm

TOLERANCES UNLESS OTHERWISE SPECIFIED:

0 PLC	± -
1 PLC	± -
2 PLC	± -
3 PLC	± -
4 PLC	± -
ANGLES	± -

MATERIAL SEE-NOTE

FINISH SEE-NOTE

DWN COREL WANG 23AUG04

CHK STEVEN YAO 20AUG04

APVD I.ENOMOTO 20AUG04

PRODUCT SPEC 108-60036

APPLICATION SPEC

WEIGHT

STE TE Connectivity

NAME PLUG ASSY (VERTICAL/ W/SCREW HOLE)
AMPLIMITE .050 SERIES I B-TO-B CONN.

SIZE A3 CAGE CODE 00779 DRAWING NO C-5173279 RESTRICTED TO

CUSTOMER DRAWING SCALE 2:1 SHEET 1 OF 1 REV P